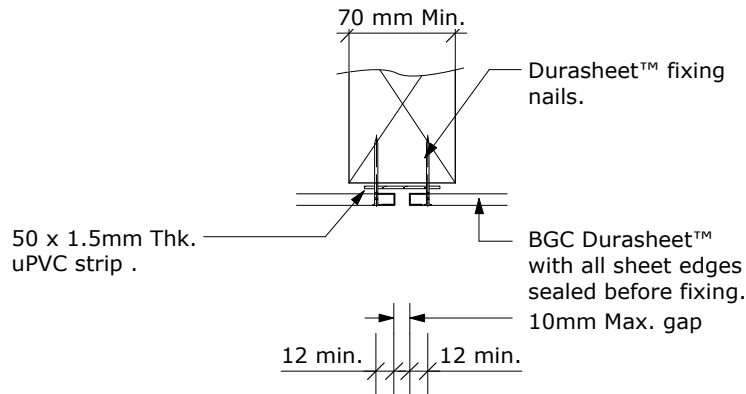
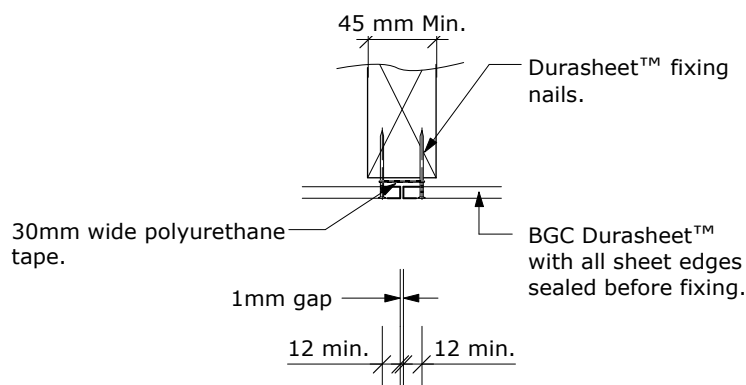
**uPVC Joints Detail****Expressed Joint Detail****Butt Joint Detail**PROFILE **BGC Durasheet™**DATE **Feb 2010**DETAIL **Soffit Joints**SCALE **1:5 @ A4**DETAIL NO. **D 18**