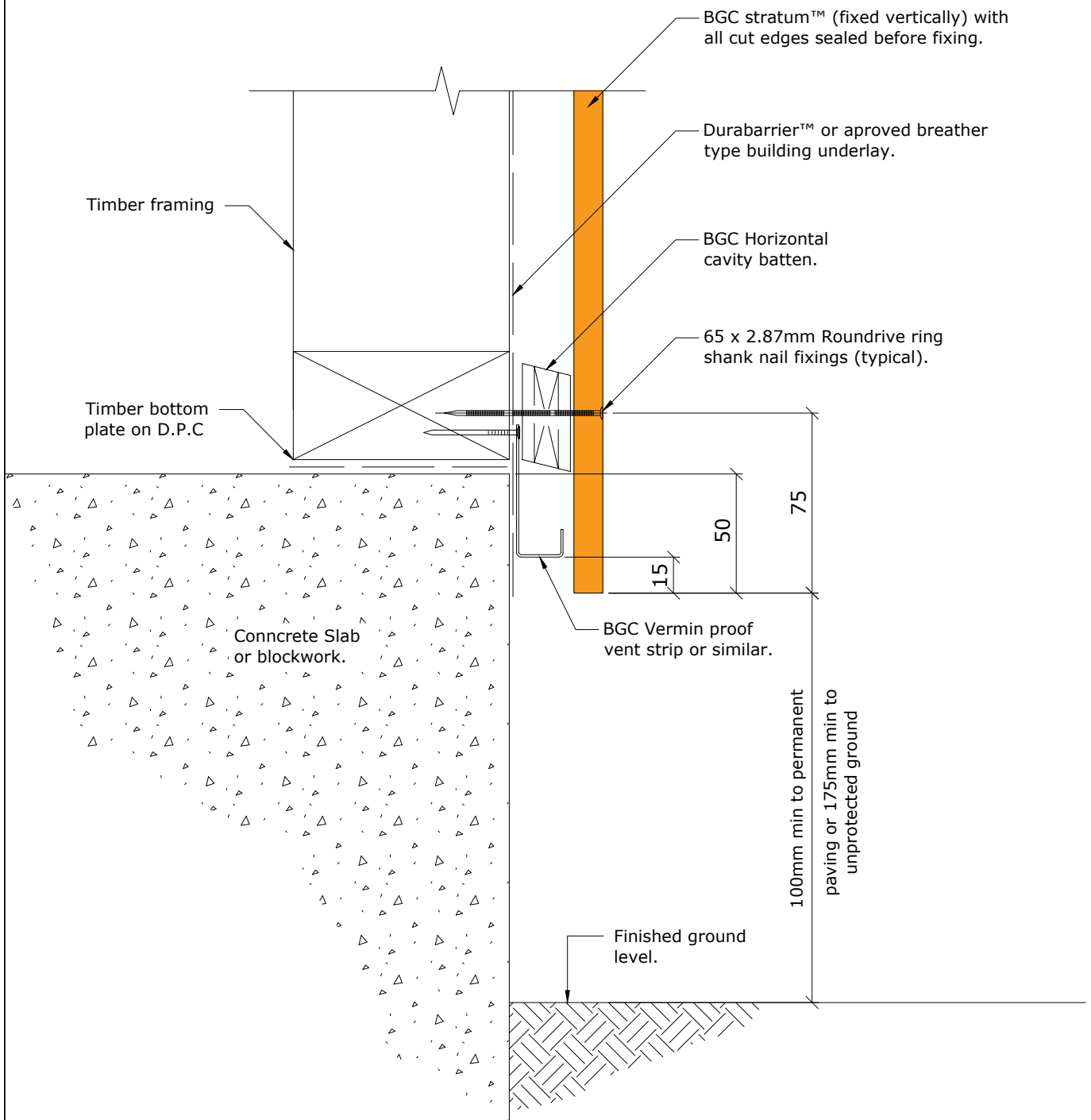


BGC**Fibre Cement**

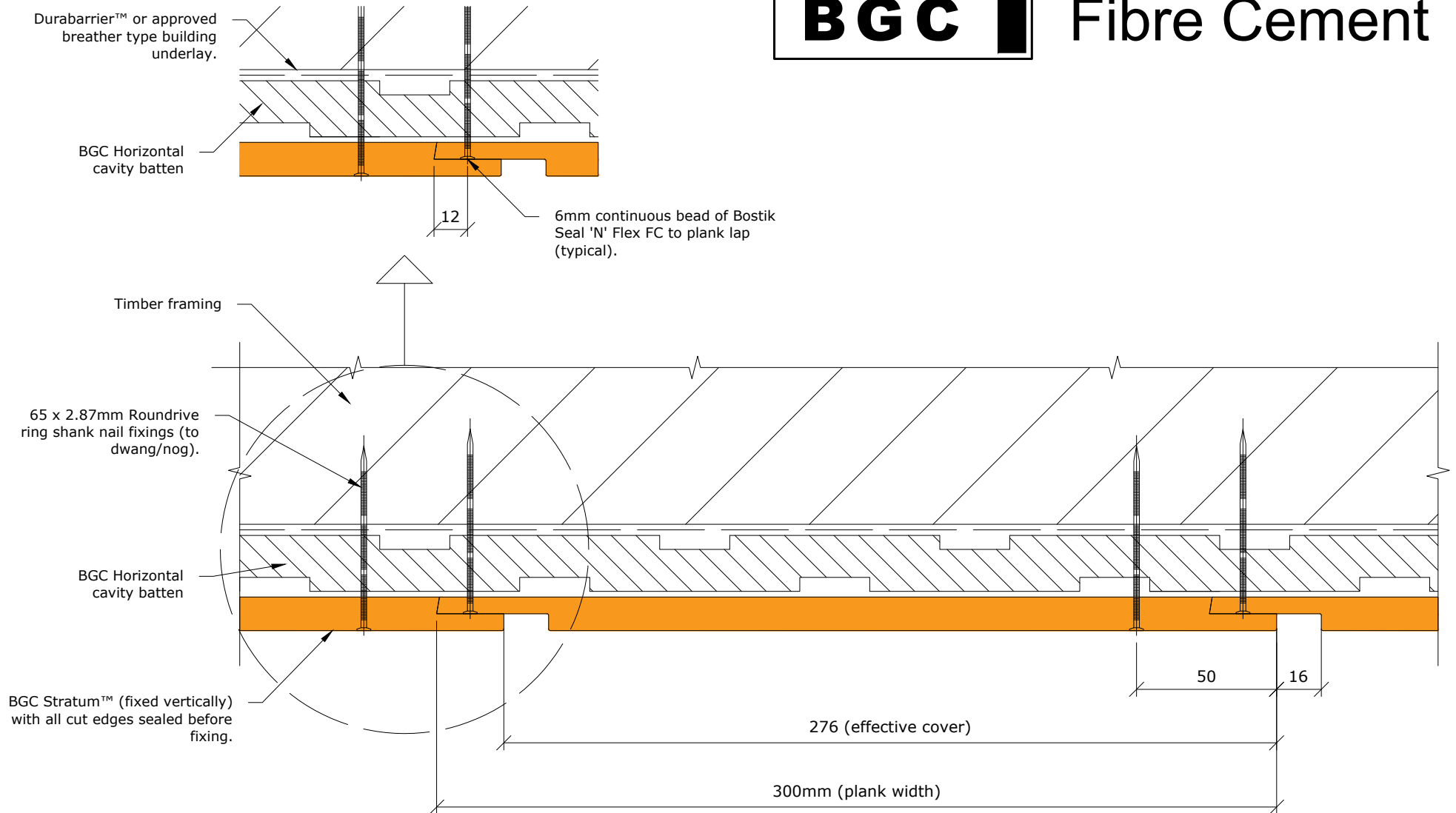
PROFILE **BGC Stratum™ and Stratum™ Duo (Vertical Installation)**

DETAIL **Foundation Detail**

DATE **May 2019**

SCALE **1:2.5 @ A4**

DETAIL NO. **SV-01**

BGC**Fibre Cement**

PROFILE **BGC Stratum™ and Stratum™ Duo**
(Vertical Installation)

DATE May 2019

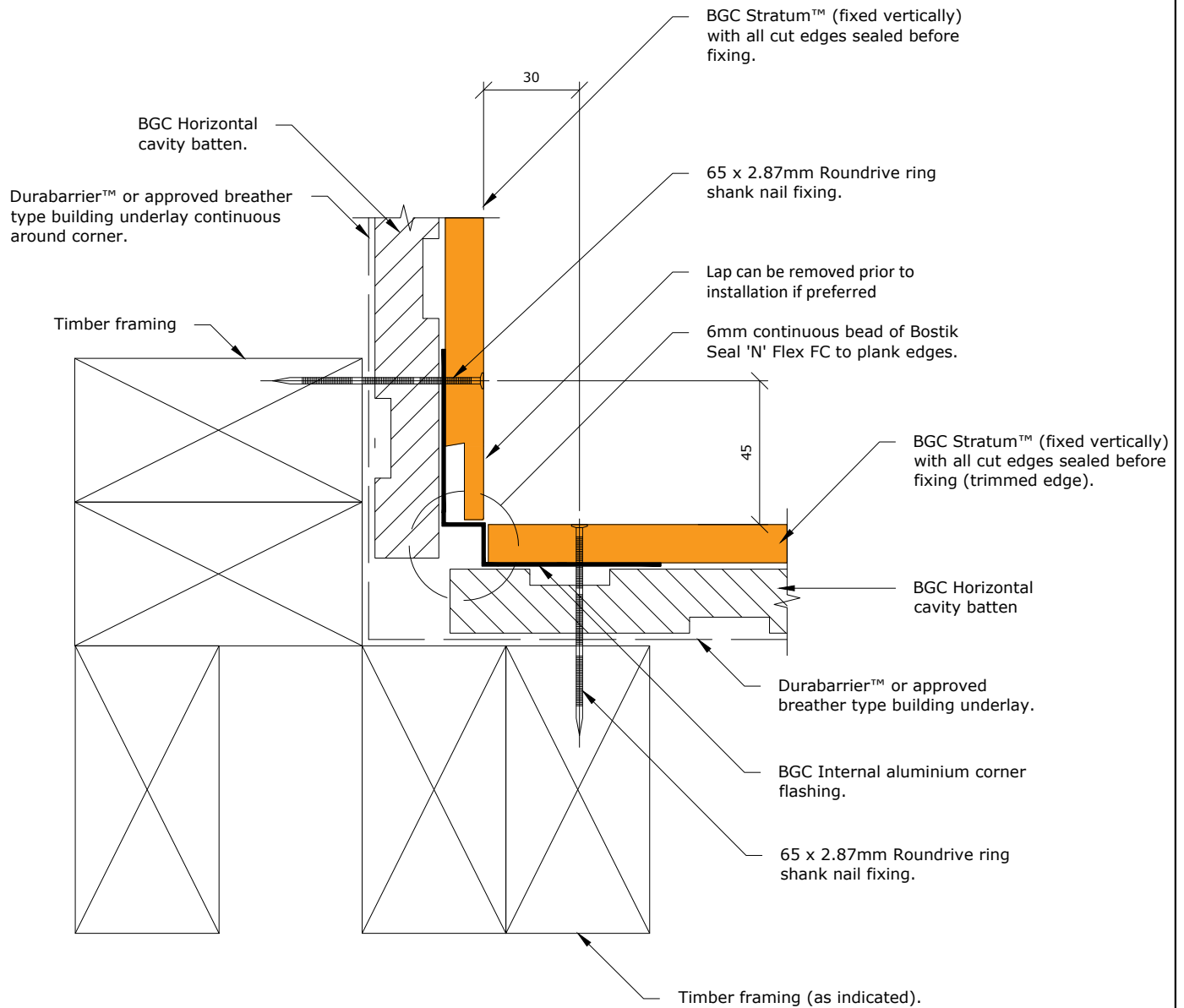
DETAIL **Typical Plank Joint Detail**

SCALE 1:2 @ A4

DETAIL NO. **SV-02**



Fibre Cement



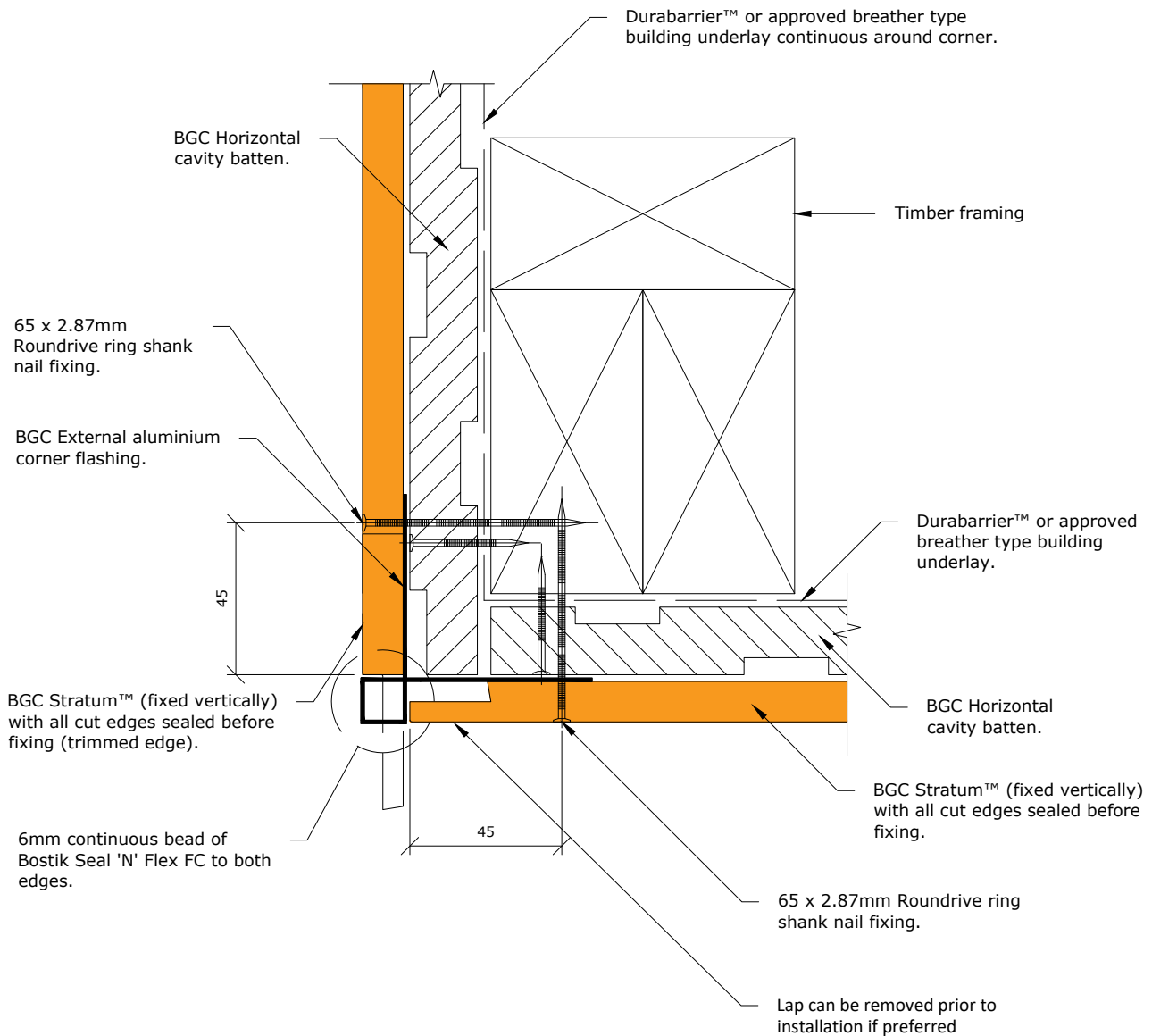
PROFILE **BGC Stratum™ and Stratum™ Duo**
(Vertical Installation)

DETAIL **Internal Corner Detail**

DATE **May 2019**

SCALE **1:2 @ A4**

DETAIL NO. **SV-03**

BGC**Fibre Cement**

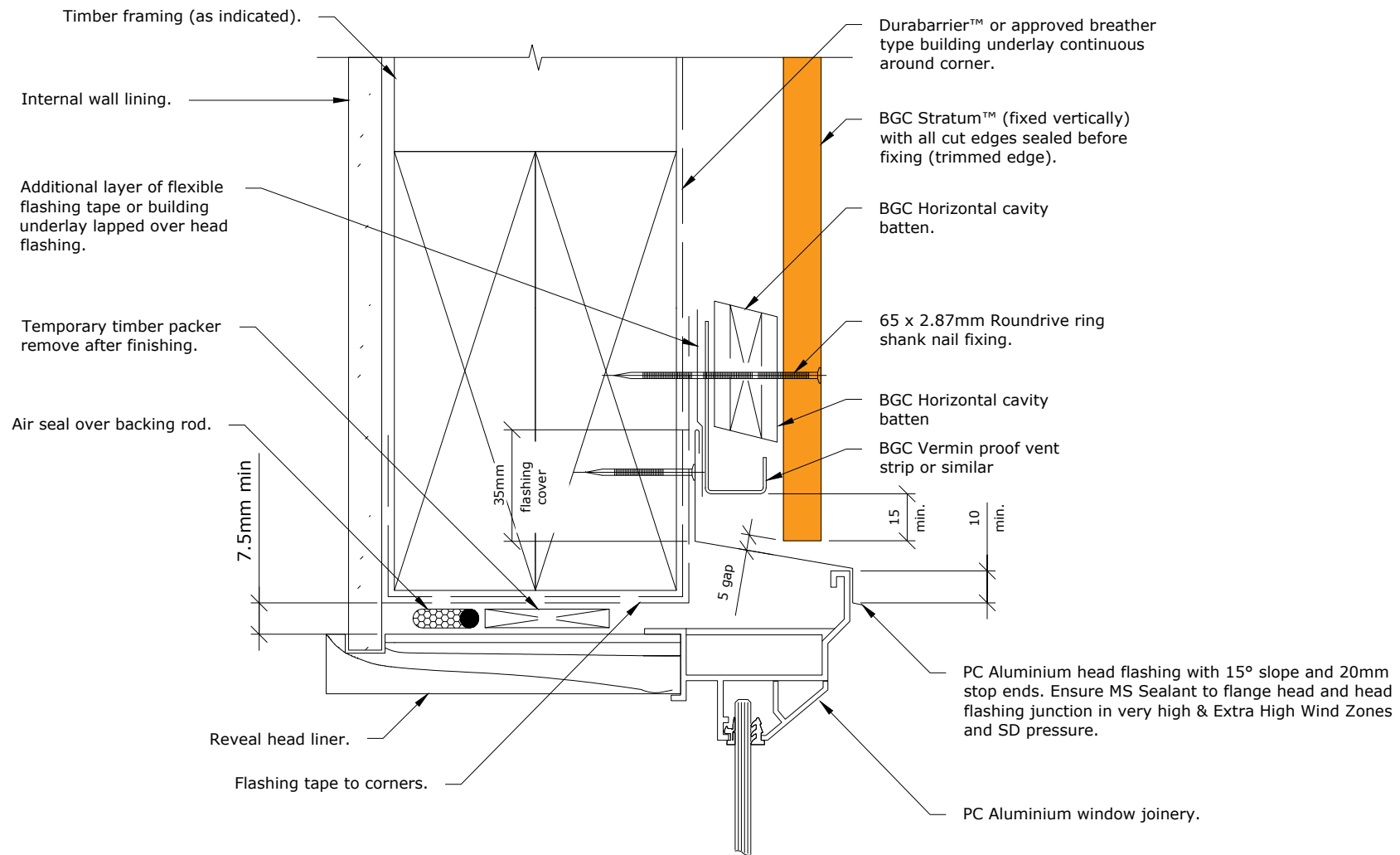
PROFILE **BGC Stratum™ and Stratum™ Duo**
(Vertical Installation)

DATE May 2019

DETAIL **External Corner Detail**

SCALE 1:2 @ A4

DETAIL NO. **SV-04**

BGC**Fibre Cement**

PROFILE **BGC Stratum™ and Stratum™ Duo**
(Vertical Installation)

DATE May 2019

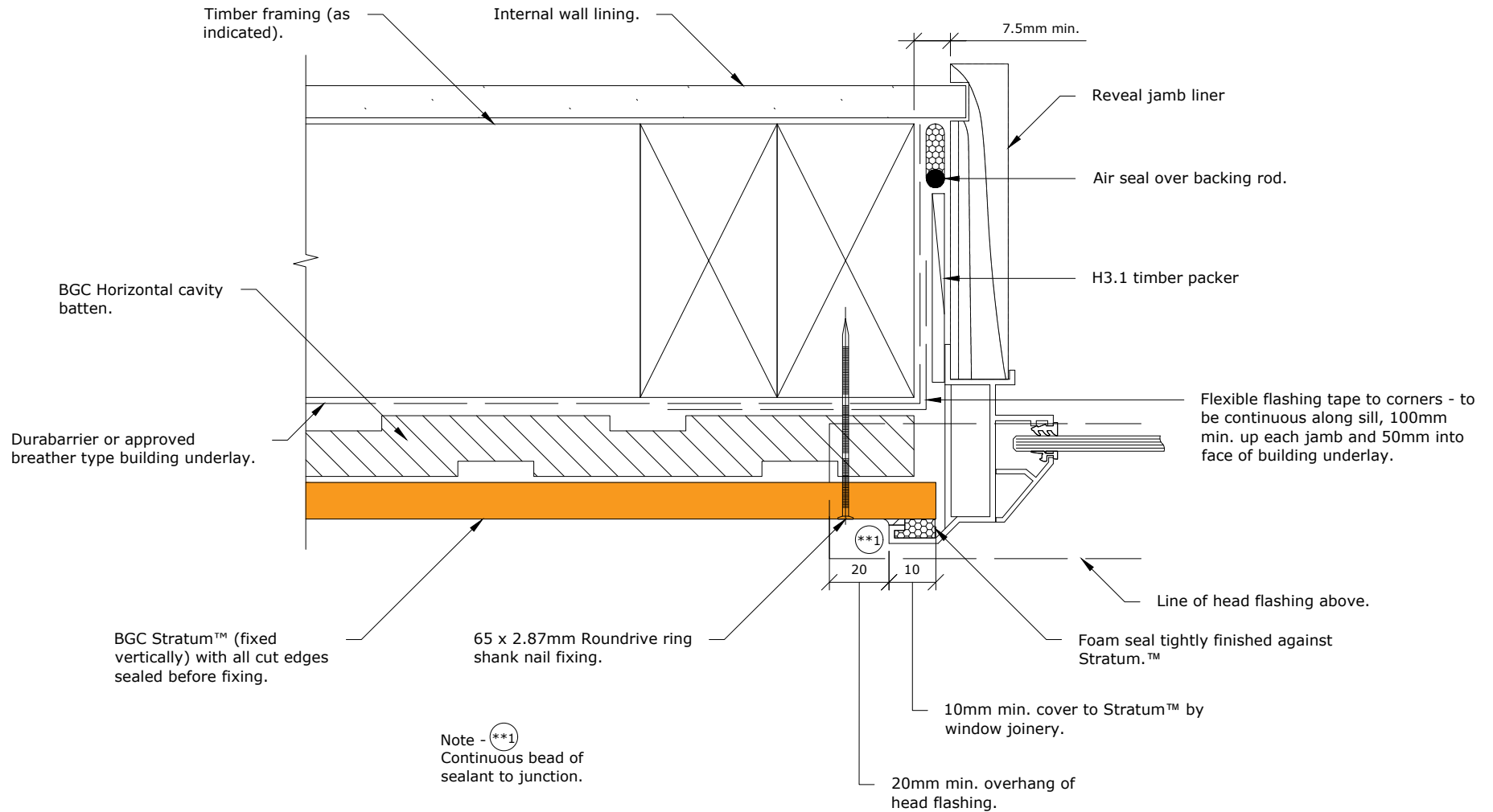
DETAIL **Window Head Detail**

SCALE 1:2 @ A4

DETAIL NO. **SV-05**



Fibre Cement



PROFILE **BGC Stratum™ and Stratum™ Duo**
(Vertical Installation)

DATE May 2019

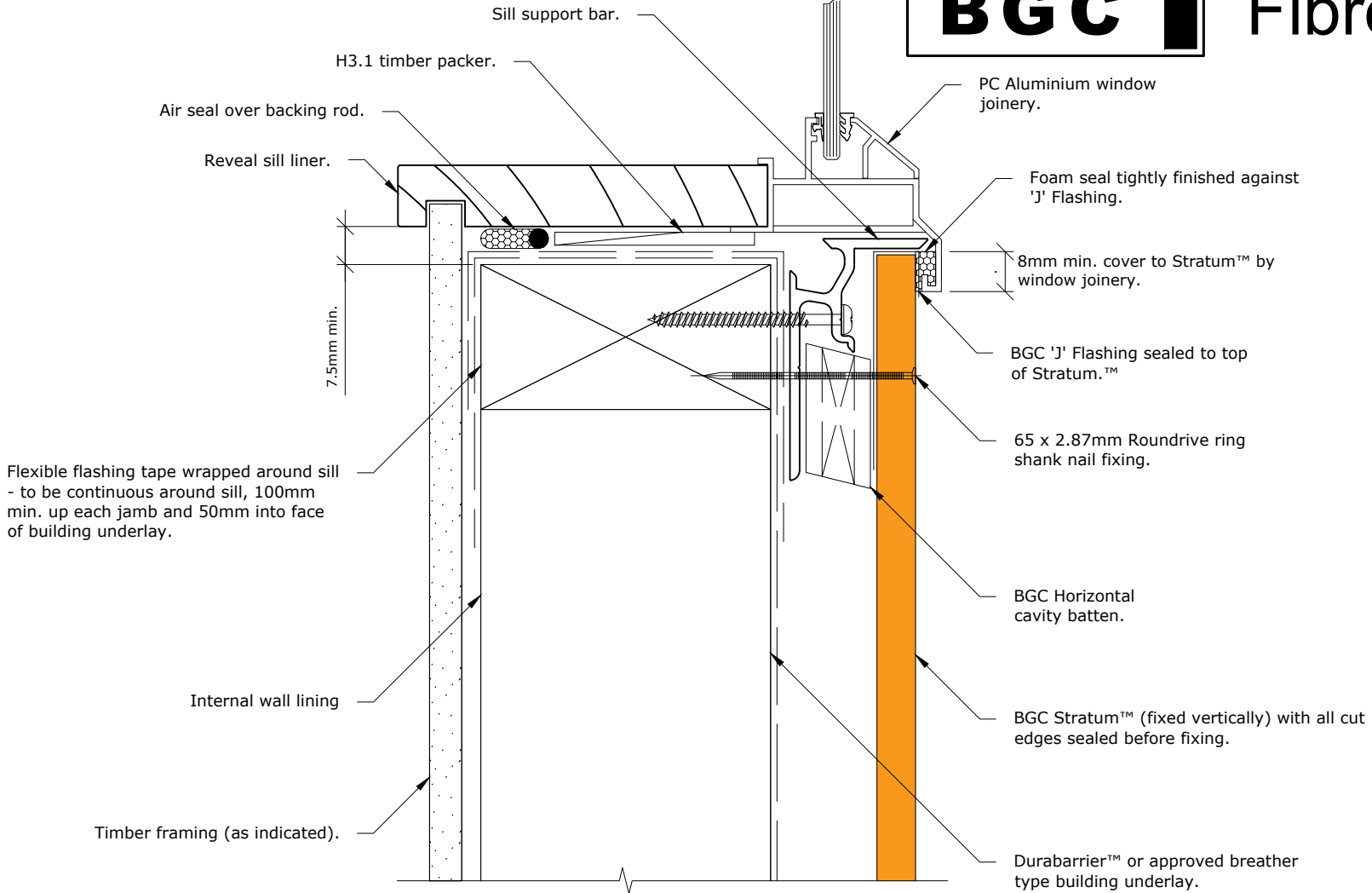
DETAIL **Window Jamb Detail**

SCALE 1:2 @ A4

DETAIL NO. **SV-06**



Fibre Cement



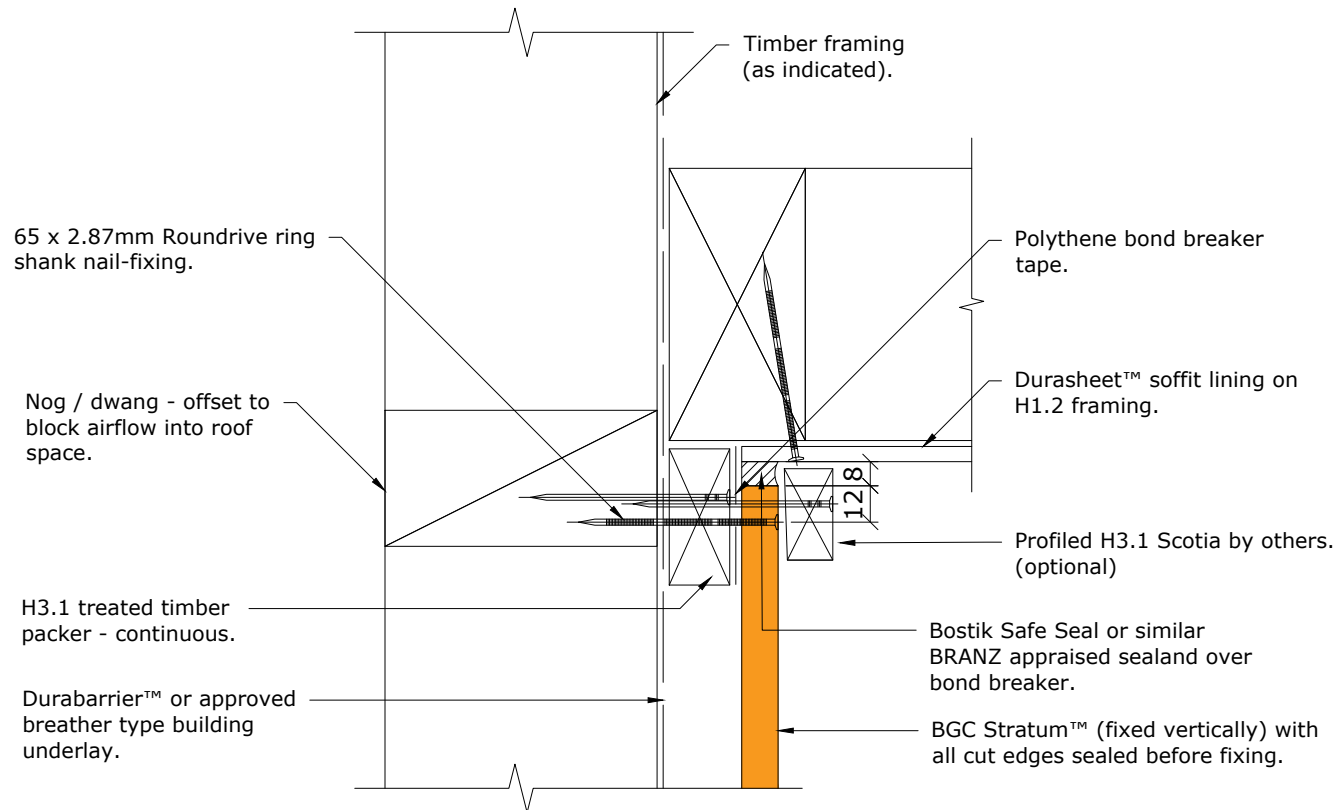
PROFILE **BGC Stratum™ and Stratum™ Duo (Vertical Installation)**

DATE **May 2019**

DETAIL **Window Sill Detail**

SCALE **1:2 @ A4**

DETAIL NO. **SV-07**

BGC**Fibre Cement**

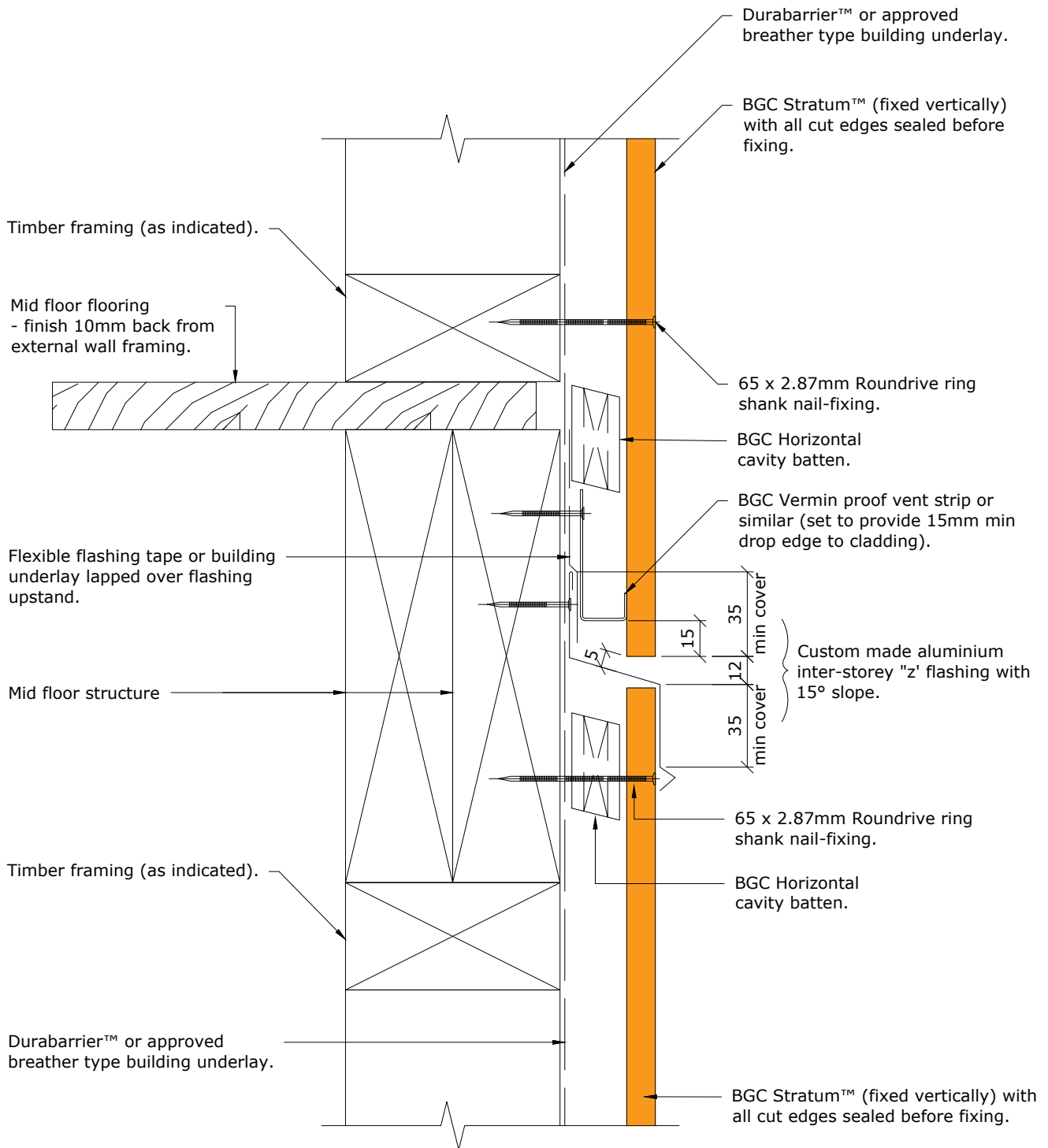
PROFILE **BGC Stratum™ and Stratum™ Duo**
(Vertical Installation)

DETAIL **Soffit Detail**

DATE May 2019

SCALE 1:2.5 @ A4

DETAIL NO. **SV-08**

BGC**Fibre Cement**

PROFILE

**BGC Stratum™ and Stratum™ Duo
(Vertical Installation)**

DATE May 2019

DETAIL

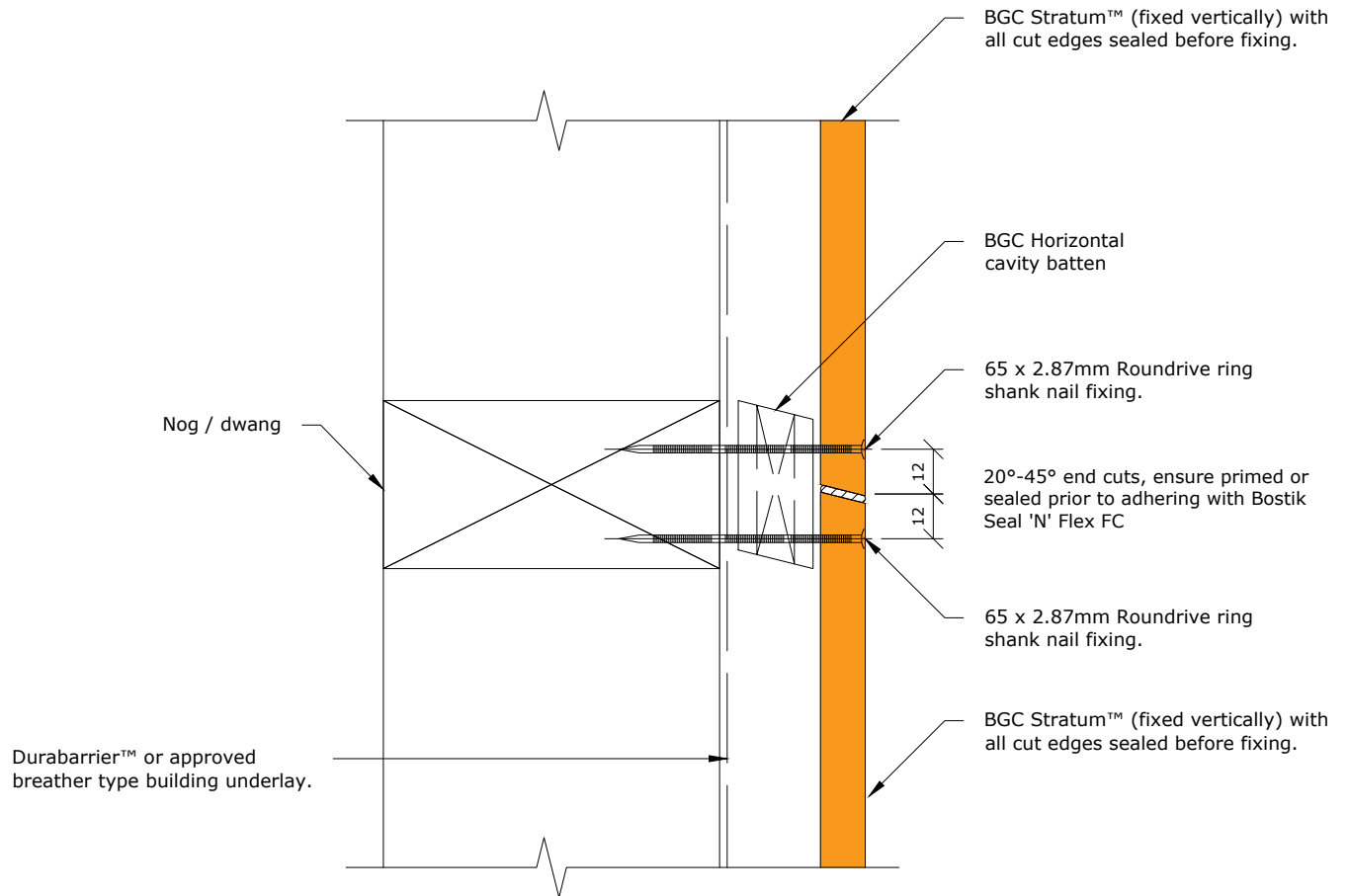
Inter-storey Drainage Detail

SCALE 1:2.5 @ A4

DETAIL NO. **SV-09**



Fibre Cement



PROFILE **BGC Stratum™ and Stratum™ Duo**
(Vertical Installation)

DETAIL **Plank Joint Detail (Longitudinal)**

DATE **May 2019**

SCALE **1:2 @ A4**

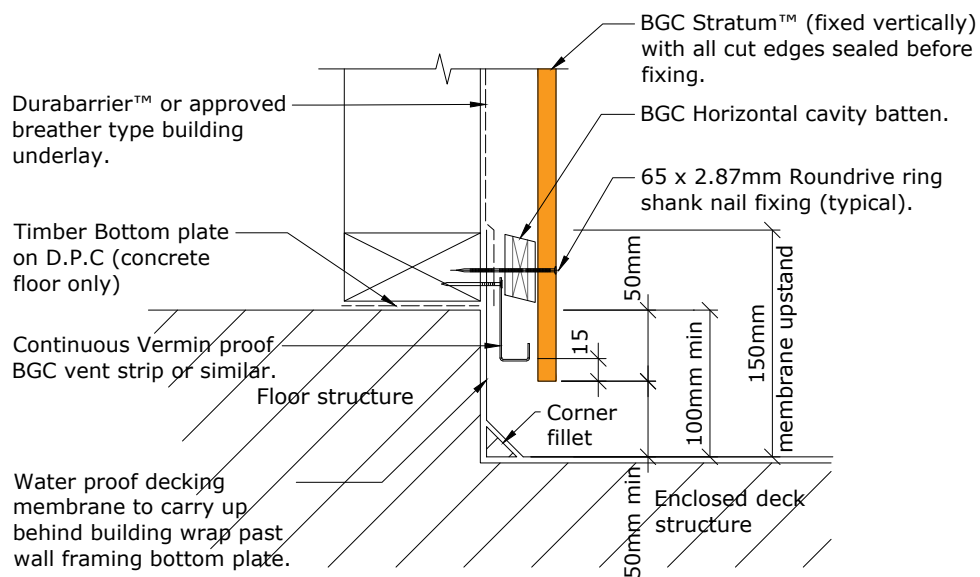
DETAIL NO. **SV-10**

BGC**Fibre Cement****Cavity Batten Note:**

Refer to cavity batten layout for batten sizes, types, spacing's & fixings.

Cladding fixing note:

Refer to cladding fixing layout for all fixing types & spacing's



PROFILE **BGC Stratum™ and Stratum™ Duo (Vertical Installation)**

DETAIL **Enclosed Deck Detail Cavity Construction**

DATE May 2019

SCALE 1:5 @ A4

DETAIL NO. **SV-11**

BGC

Fibre Cement

Cavity Batten Note:

Refer to cavity batten layout for batten sizes, types, spacing's & fixings

Cladding fixing note:

Refer to cladding fixing layout for all fixing types & spacing's

Fold ends of head flashing to form stop ends

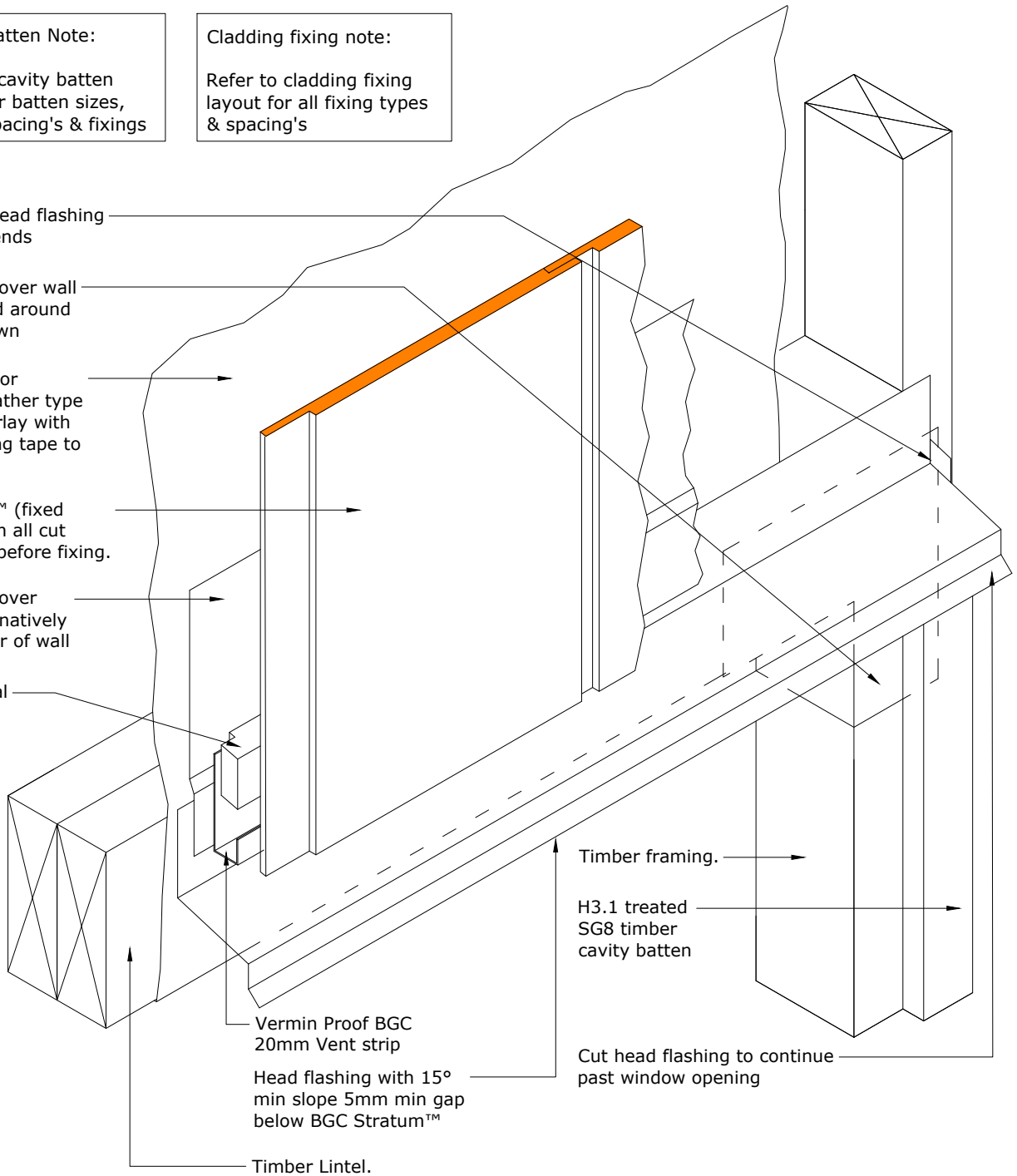
Flashing tape over wall underlay fitted around corner as shown

Durabarrier™ or approved breather type Building underlay with flexible flashing tape to corners.

BGC Stratum™ (fixed vertically) with all cut edges sealed before fixing.

Flashing tape over flashing (alternatively use extra layer of wall underlay)

BGC Horizontal cavity Batten.



Note where Durabarrier™ is used flashing tape must be applied to the entire opening

PROFILE **BGC Stratum™ and Stratum™ Duo (Vertical Installation)**
DETAIL **Window Head/Jamb Junction Detail Cavity Construction**

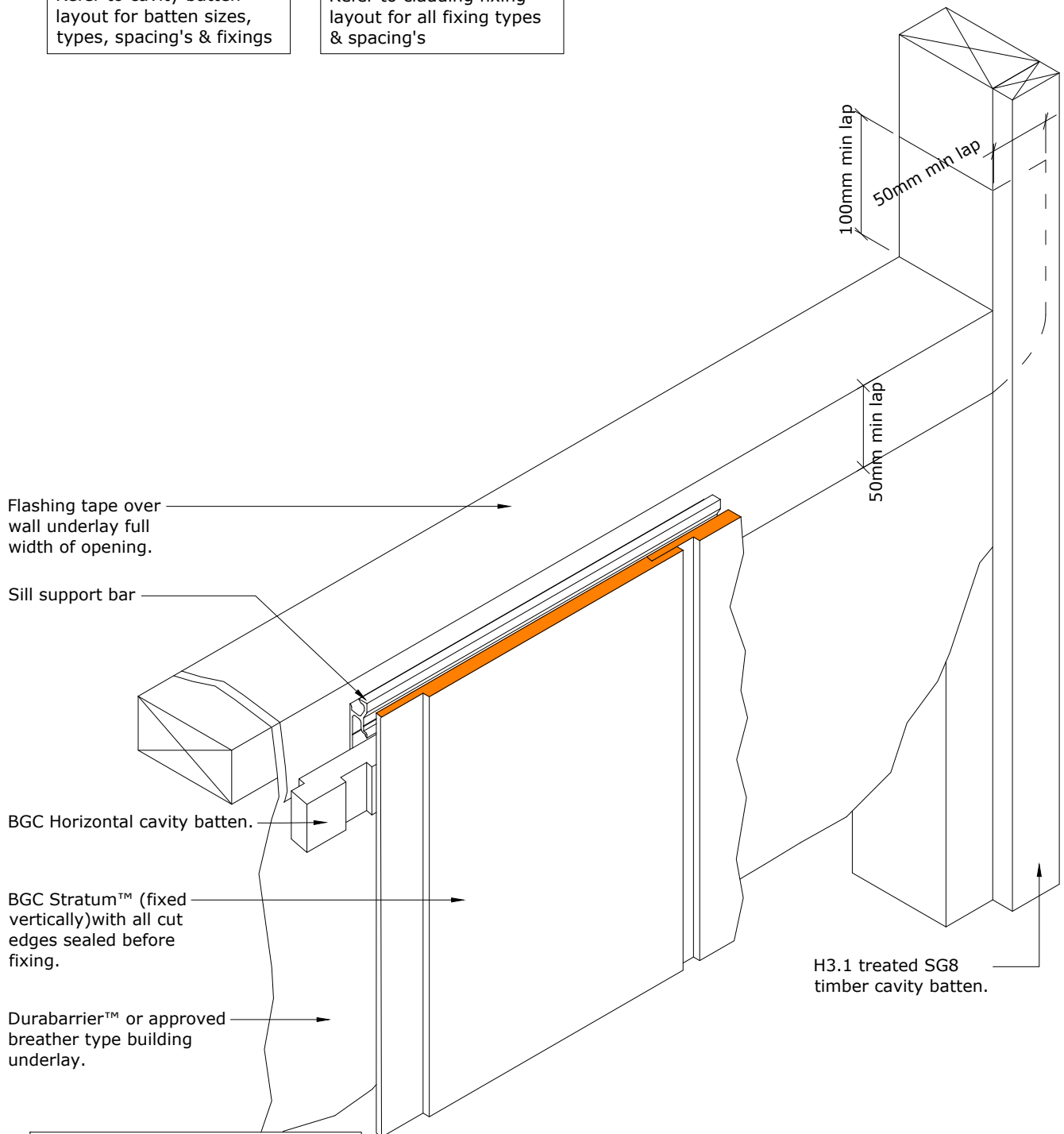
DATE **May 2019**
SCALE **1:5 @ A4**
DETAIL NO. **SV-12**

Cavity Batten Note:

Refer to cavity batten layout for batten sizes, types, spacing's & fixings

Cladding fixing note:

Refer to cladding fixing layout for all fixing types & spacing's



Note where DurabARRIER™ is used flashing tape must be applied to the entire opening

PROFILE **BGC Stratum™ and Stratum™ Duo (Vertical Installation)**

DETAIL **Window Sill/Jamb Junction Detail Cavity Construction**

DATE **May 2019**

SCALE **1:5 @ A4**

DETAIL NO. **SV-13**



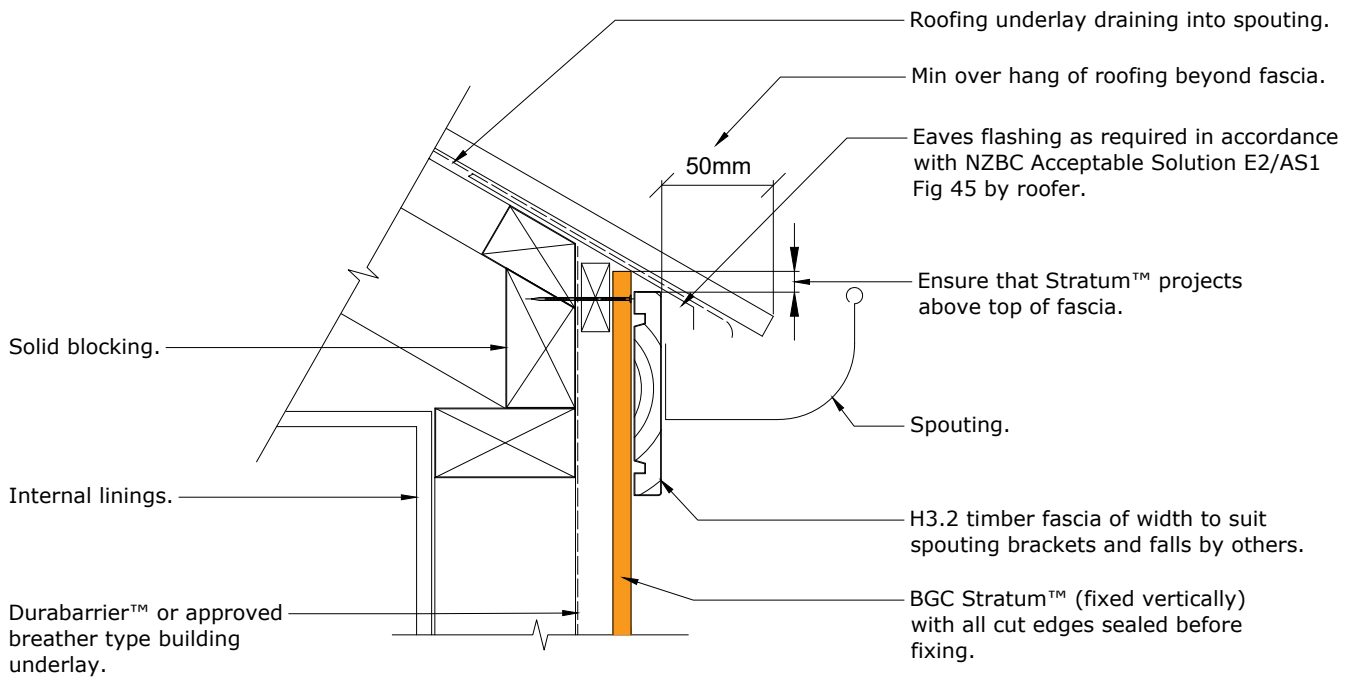
Fibre Cement

Cavity Batten Note:

Refer to cavity batten layout for batten sizes, types, spacing's & fixings

Cladding fixing note:

Refer to cladding fixing layout for all fixing types & spacing's



PROFILE **BGC Stratum™ and Stratum™ Duo (Vertical Installation)**
DETAIL **Eaves With No Soffit Detail Cavity Construction**

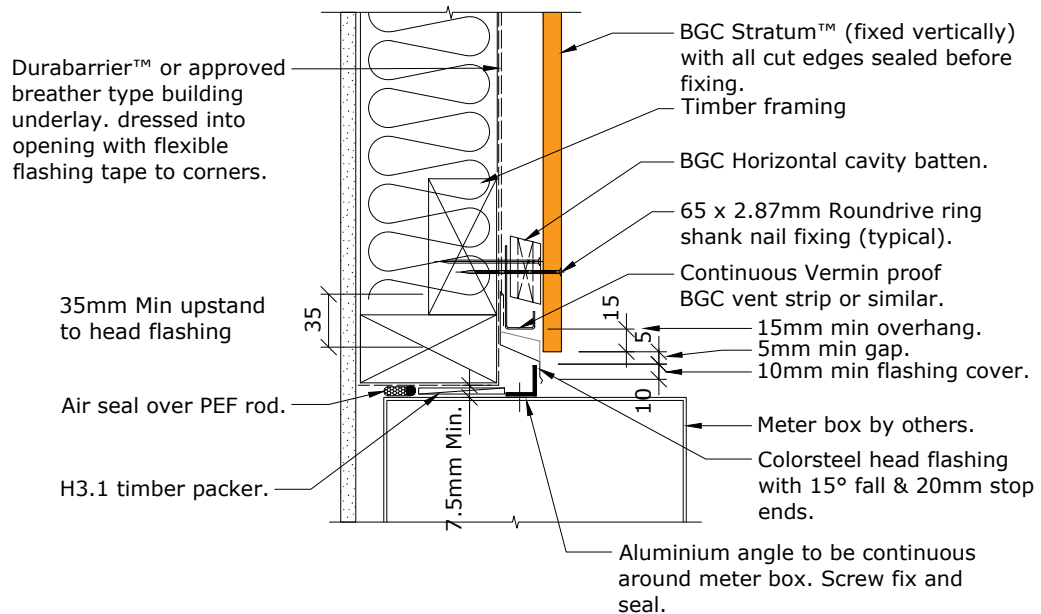
DATE **May 2019**
SCALE **1:5 @ A4**
DETAIL NO. **SV-15**

BGC**Fibre Cement****Cavity Batten Note:**

Refer to cavity batten layout for batten sizes, types, spacing's & fixings

Cladding fixing note:

Refer to cladding fixing layout for all fixing types & spacing's



Note. Where Durabarrier™ is used flashing tape must be applied to the entire opening

PROFILE **BGC Stratum™ and Stratum™ Duo**
(Vertical Installation)

DETAIL **Meter Box Head Detail**
Cavity Construction

DATE May 2019

SCALE 1:5 @ A4

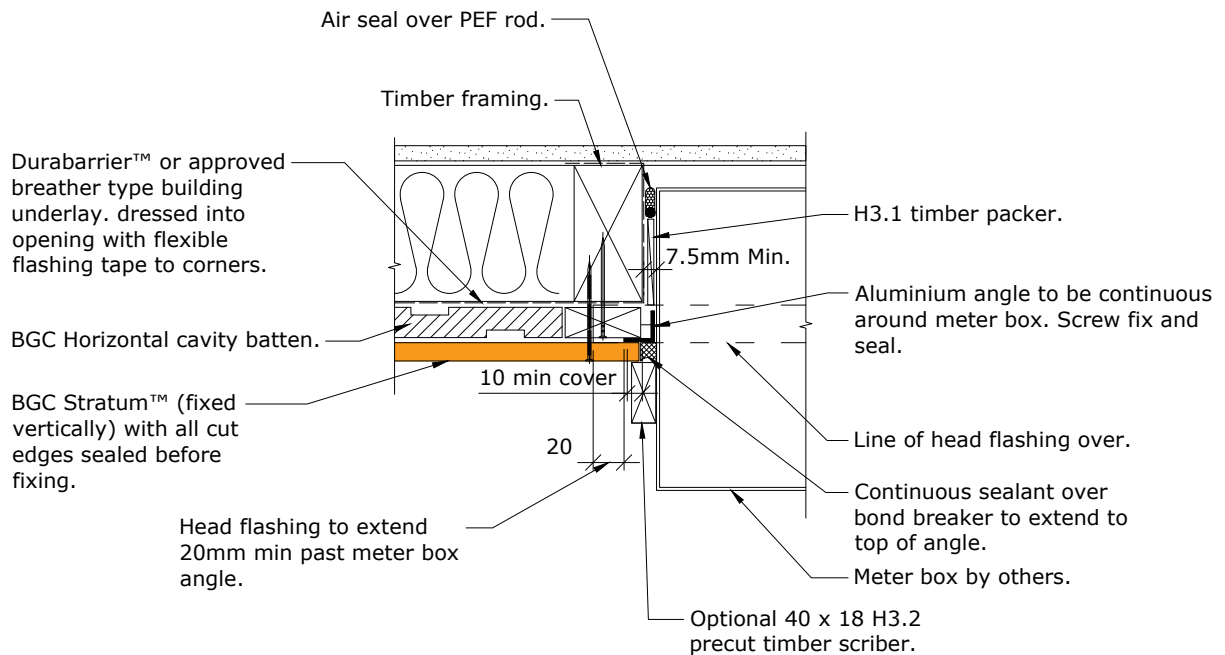
DETAIL NO. **SV-16**

Cavity Batten Note:

Refer to cavity batten layout for batten sizes, types, spacing's & fixings

Cladding fixing note:

Refer to cladding fixing layout for all fixing types & spacing's



Note. Where DurabARRIER™ is used flashing tape must be applied to the entire opening

PROFILE **BGC Stratum™ and Stratum™ Duo (Vertical Installation)**
 DETAIL **Meter Box Jamb Detail Cavity Construction**

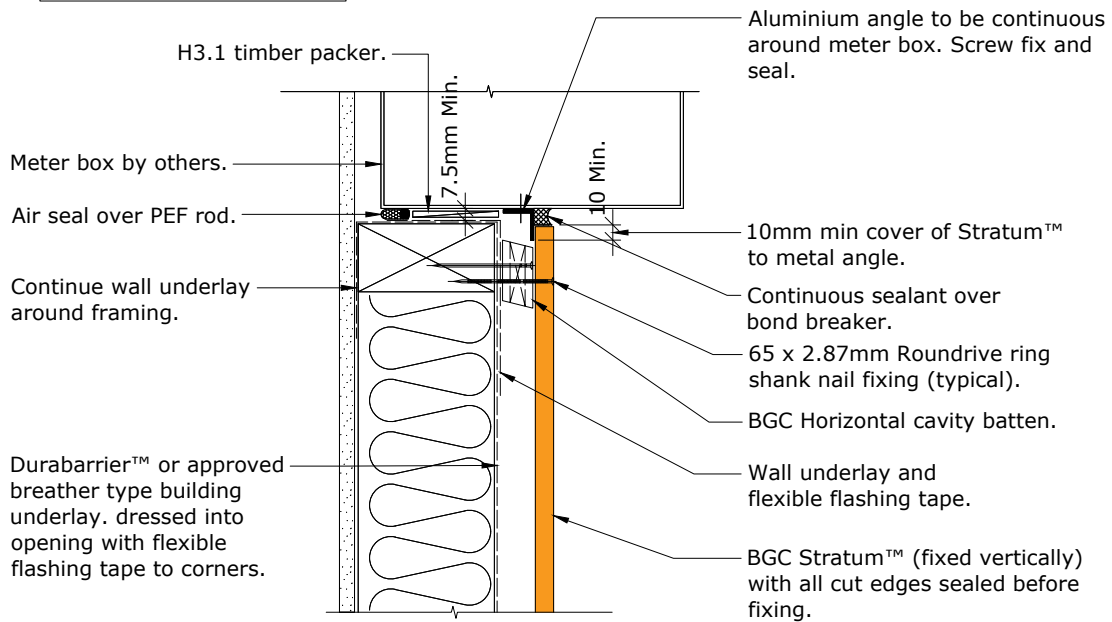
DATE **May 2019**
 SCALE **1:5 @ A4**
 DETAIL NO. **SV-17**

Cavity Batten Note:

Refer to cavity batten layout for batten sizes, types, spacing's & fixings

Cladding fixing note:

Refer to cladding fixing layout for all fixing types & spacing's



Note. Where DurabARRIER™ is used flashing tape must be applied to the entire opening

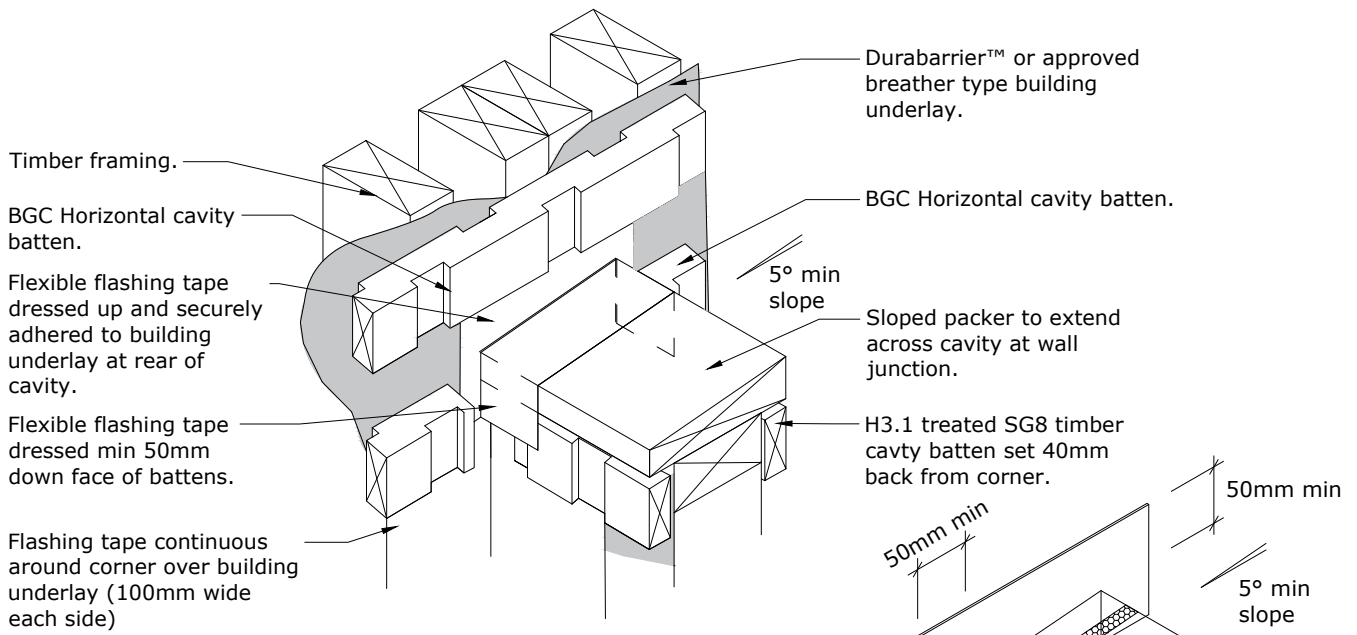
PROFILE **BGC Stratum™ and Stratum™ Duo (Vertical Installation)**

DETAIL **Meter Box Sill Detail Cavity Construction**

DATE **May 2019**

SCALE **1:5 @ A4**

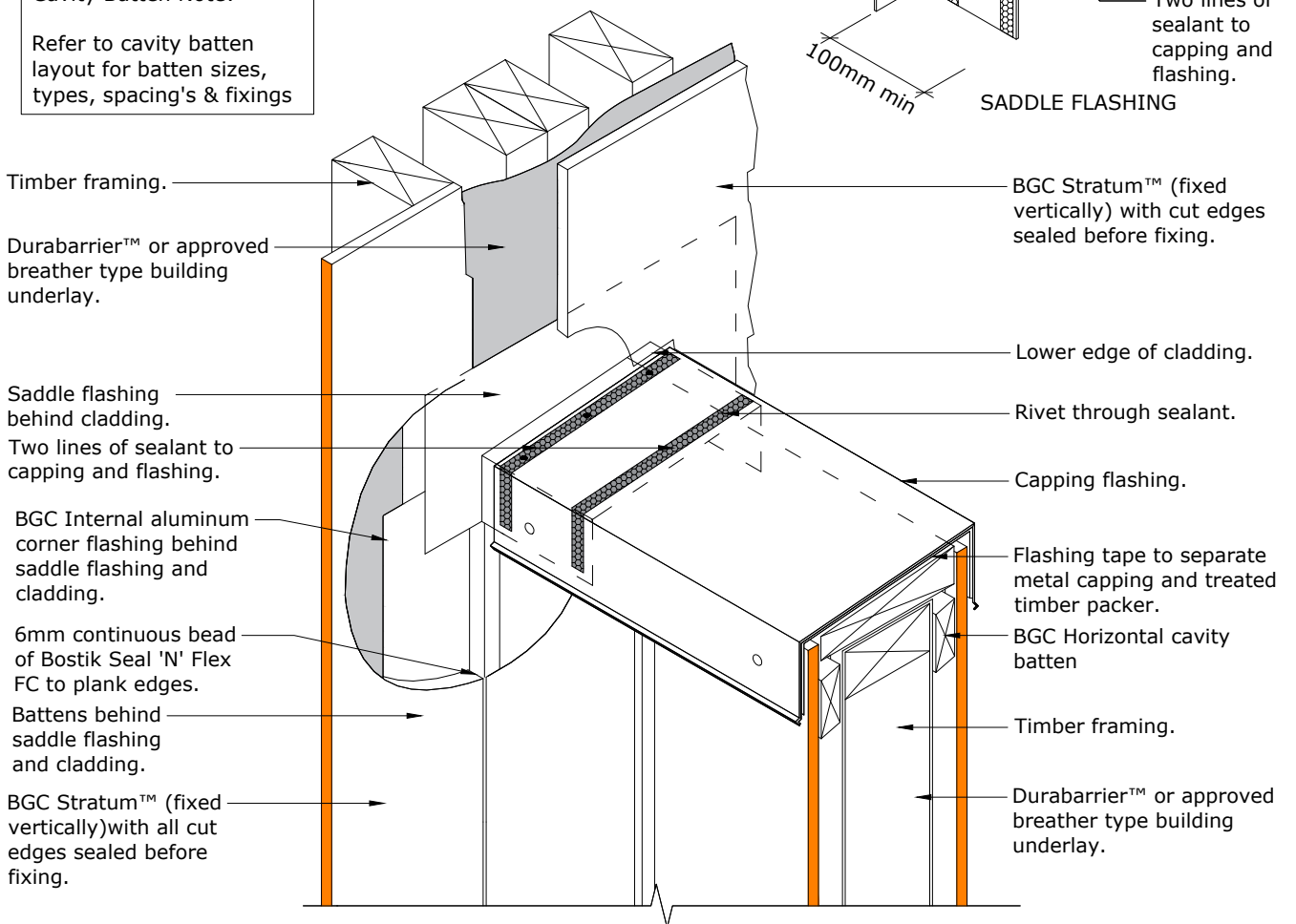
DETAIL NO. **SV-18**



FLEXIBLE FLASHING INSTALLATION

Cavity Batten Note:

Refer to cavity batten layout for batten sizes, types, spacing's & fixings



SADDLE FLASHING

PROFILE	BGC Stratum™ and Stratum™ Duo (Vertical Installation)	DATE	May 2019
DETAIL	Enclosed Balustrade-Wall Junction 3D Cavity Construction	SCALE	1:5 @ A4
		DETAIL NO.	SV-19



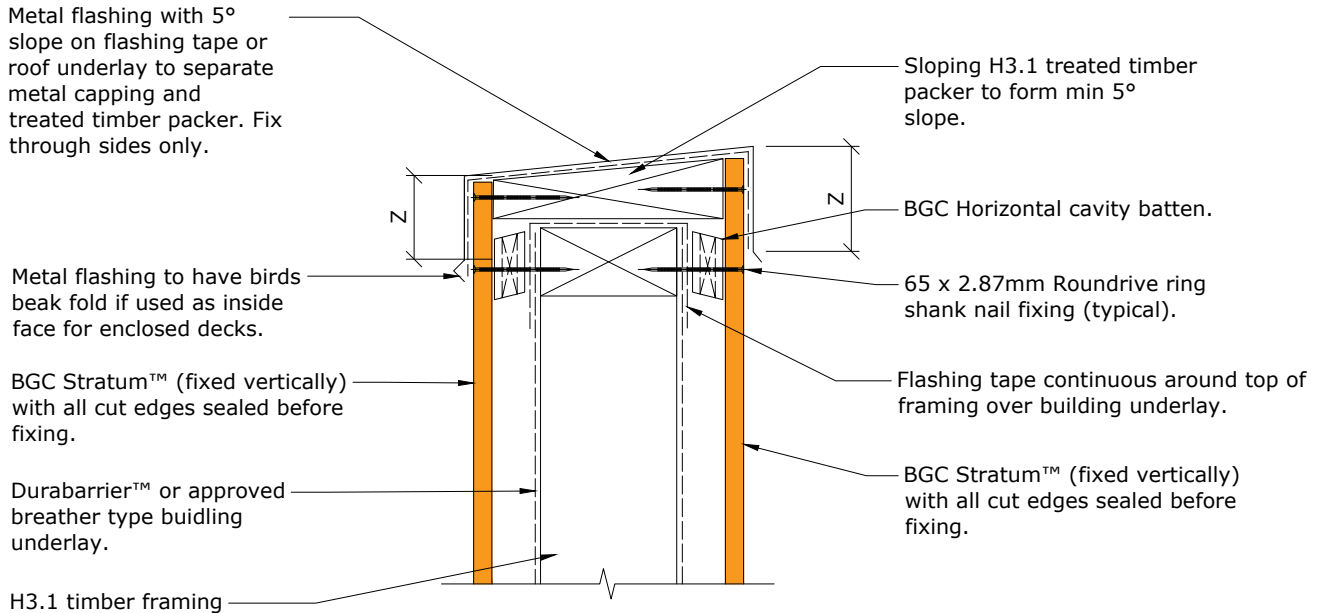
Fibre Cement

Cavity Batten Note:

Refer to cavity batten layout for batten sizes, types, spacing's & fixings

Cladding fixing note:

Refer to cladding fixing layout for all fixing types & spacing's



Note:

Z = Refer to NZBC E2 / AS1 Table 7 for flashing cover requirements

PROFILE BGC Stratum™ and Stratum™ Duo (Vertical Installation)
DETAIL Enclosed Balustrade/Parapet Detail Cavity Construction

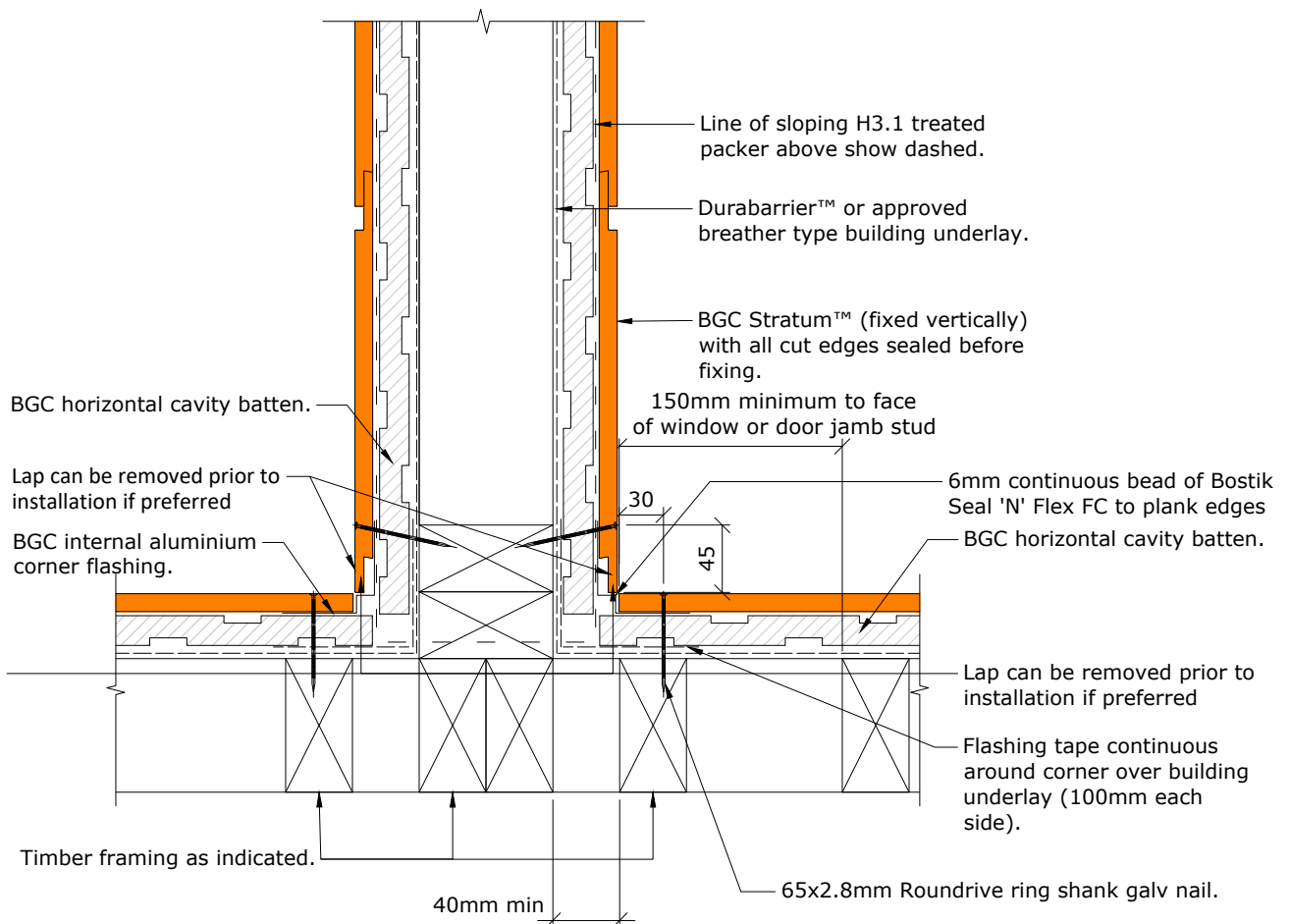
DATE May 2019
SCALE 1:5 @ A4
DETAIL NO. SV-20

BGC**Fibre Cement****Cavity Batten Note:**

Refer to cavity batten layout for batten sizes, types, spacing's & fixings

Cladding fixing note:

Refer to cladding fixing layout for all fixing types & spacing's



PROFILE **BGC Stratum™ and Stratum™ Duo (Vertical Installation)**

DETAIL **Enclosed Balustrade-Wall Junction Detail Cavity Construction**

DATE May 2019

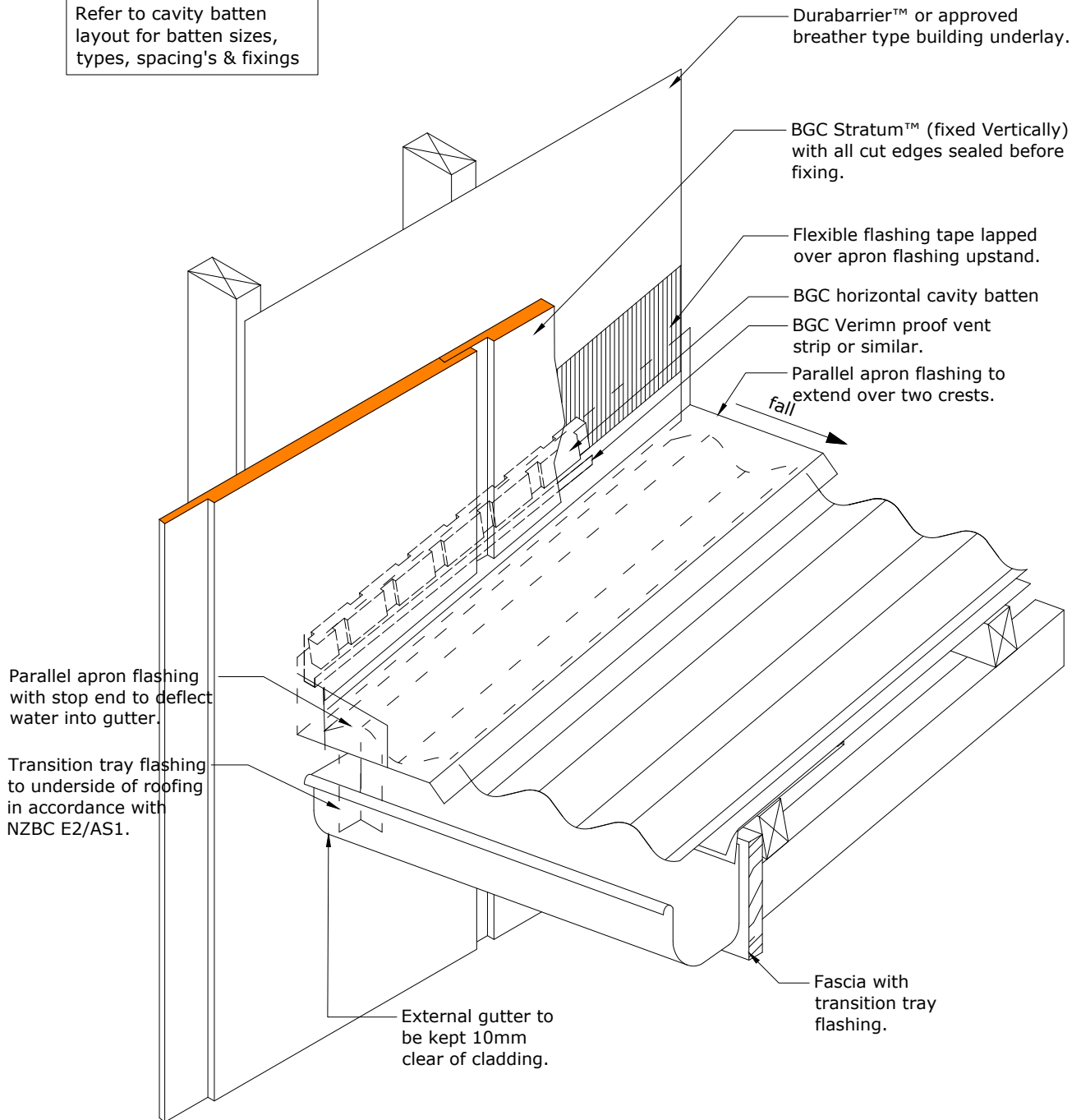
SCALE 1:5 @ A4

DETAIL NO. **SV-21**



Fibre Cement

Cavity Batten Note:
Refer to cavity batten layout for batten sizes, types, spacing's & fixings



PROFILE BGC Stratum™ and Stratum™ Duo
(Vertical Installation)
DETAIL Gutter to Wall Junction
Cavity Construction

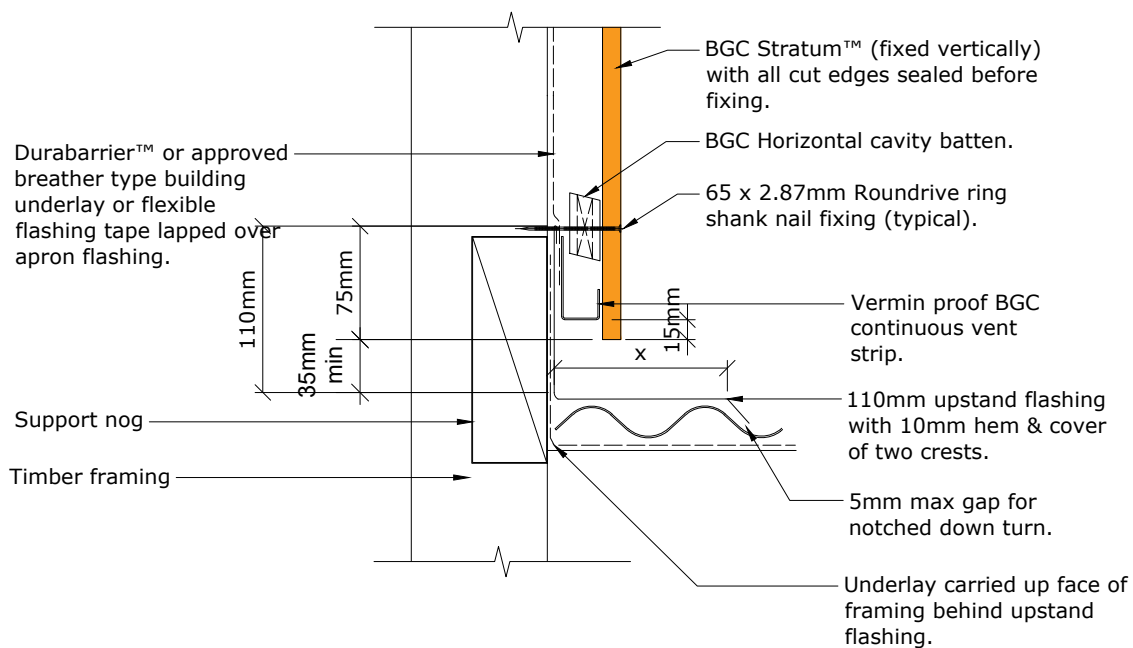
DATE May 2019
SCALE 1:5 @ A4
DETAIL NO. SV-22

BGC**Fibre Cement****Cavity Batten Note:**

Refer to cavity batten layout for batten sizes, types, spacing's & fixings

Cladding fixing note:

Refer to cladding fixing layout for all fixing types & spacing's

**Note:**

x = Refer to NZBC E2 / AS1 Table for flashing cover requirements

PROFILE **BGC Stratum™ and Stratum™ Duo**
(Vertical Installation)
DETAIL **Parallel Apron Flashing Detail**
Cavity Construction

DATE May 2019

SCALE 1:5 @ A4

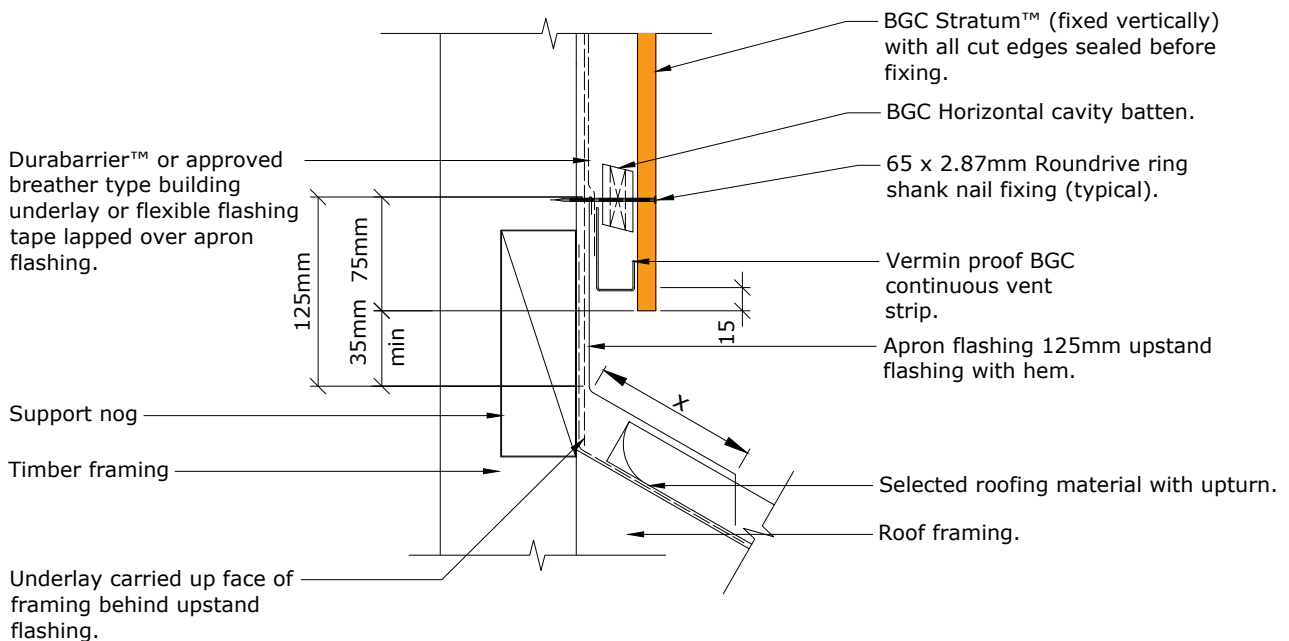
DETAIL NO. **SV-23**

Cavity Batten Note:

Refer to cavity batten layout for batten sizes, types, spacing's & fixings

Cladding fixing note:

Refer to cladding fixing layout for all fixing types & spacing's



Note:

x = Refer to NZBC E2 / AS1 Table for flashing cover requirements

PROFILE **BGC Stratum™ and Stratum™ Duo (Vertical Installation)**
 DETAIL **Transverse Apron Flashing Detail Cavity Construction**

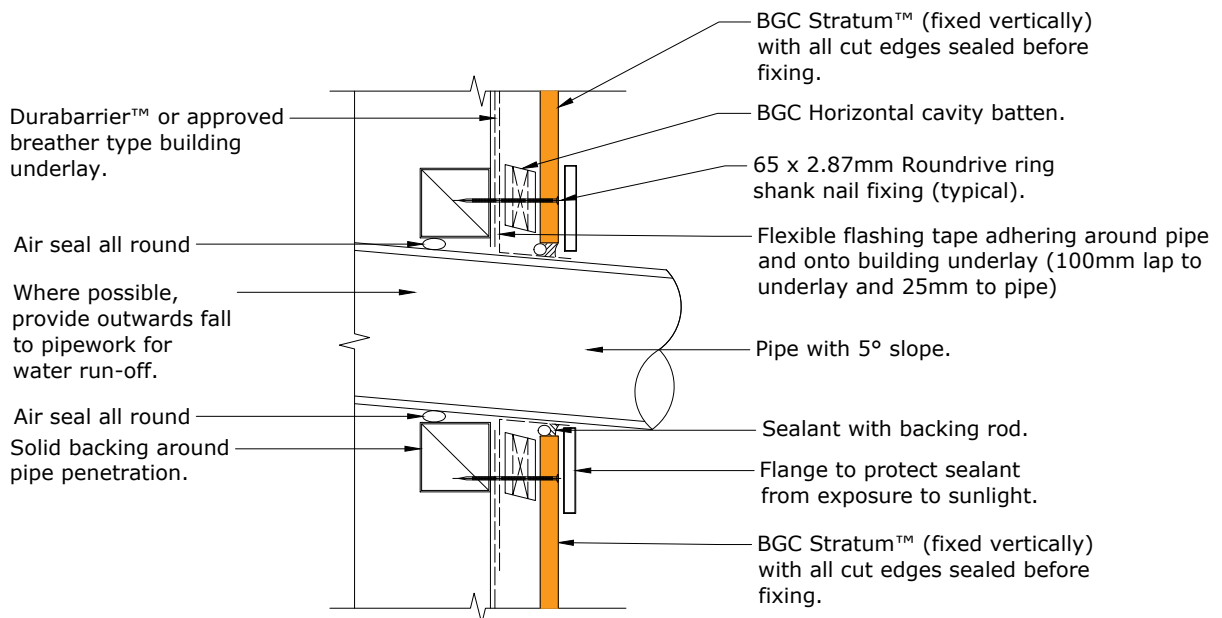
DATE **May 2019**
 SCALE **1:5 @ A4**
 DETAIL NO. **SV-24**

BGC**Fibre Cement****Cavity Batten Note:**

Refer to cavity batten layout for batten sizes, types, spacing's & fixings

Cladding fixing note:

Refer to cladding fixing layout for all fixing types & spacing's

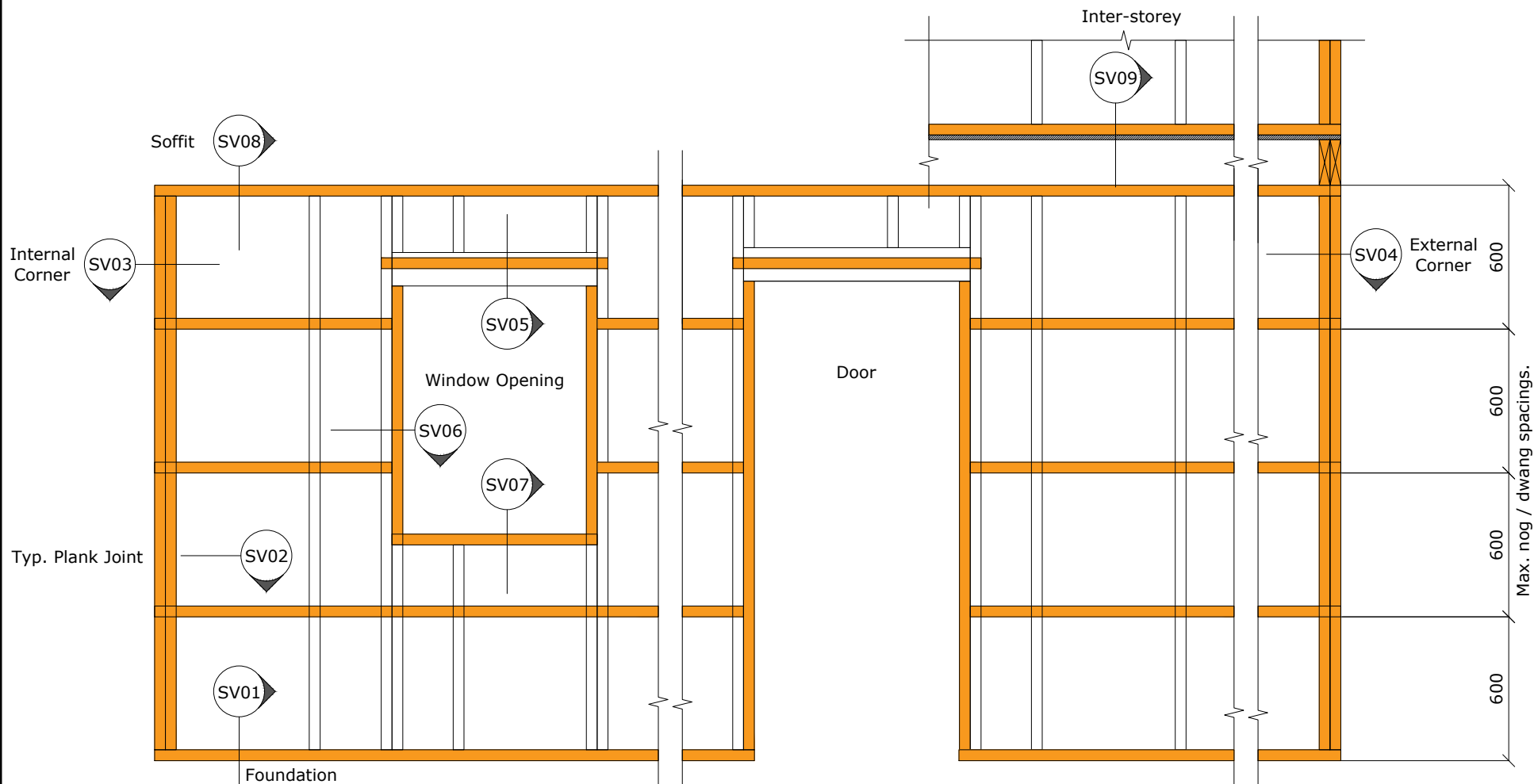


PROFILE **BGC Stratum™ and Stratum™ Duo**
(Vertical Installation)
DETAIL **Pipe Penetration Detail**
Cavity Construction

DATE **May 2019**
SCALE **1:5 @ A4**
DETAIL NO. **SV-25**

BGC

Fibre Cement



PROFILE **BGC Stratum™ and Stratum™ Duo**
(Vertical Installation)

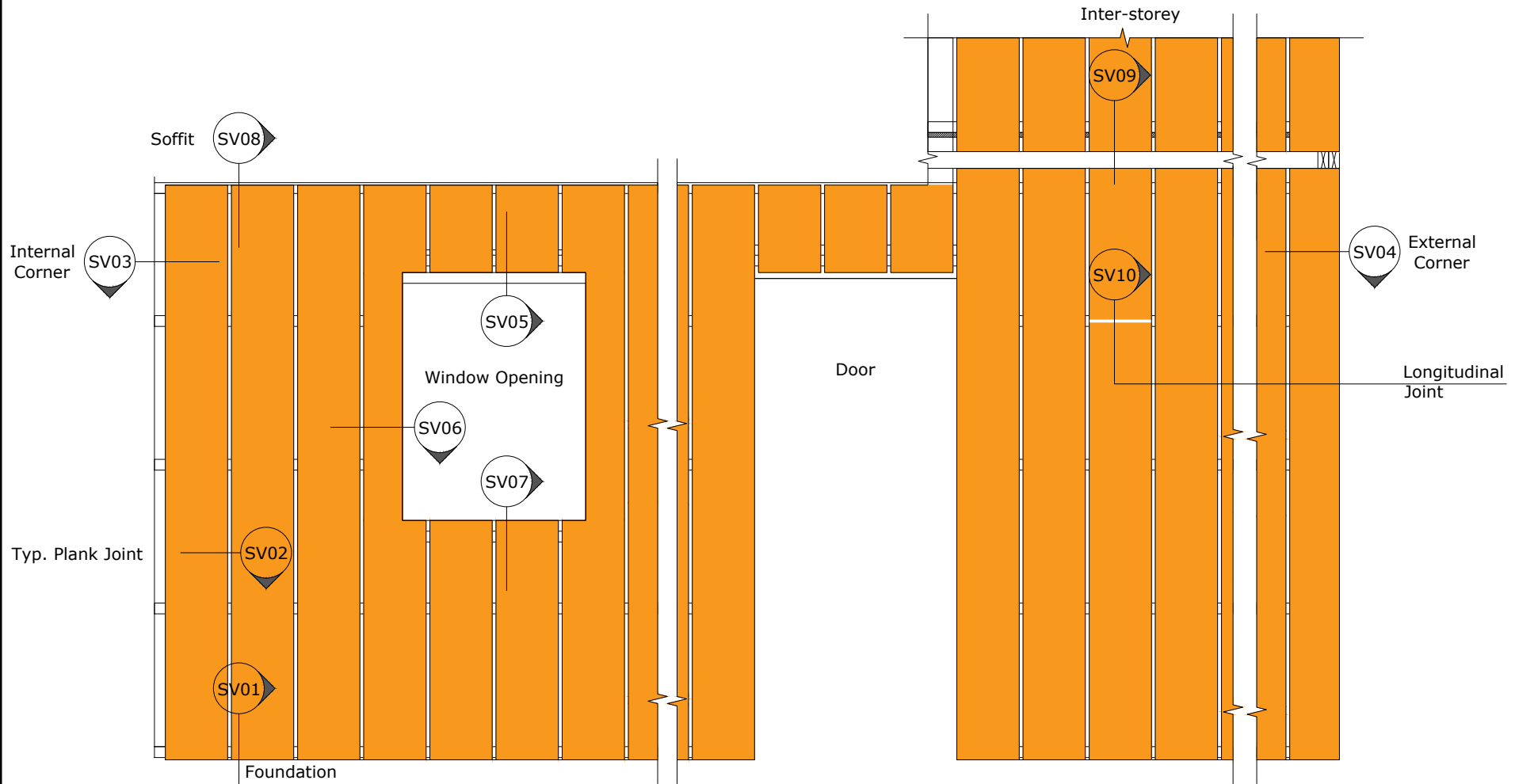
DETAIL **Batten Layout - Elevation**
(over framing)

DATE
SCALE 1:25 @ A4

DETAIL NO. **SV-GA1**

BGC

Fibre Cement



PROFILE BGC Stratum™ and Stratum™ Duo
(Vertical Installation)

DETAIL Plank Layout - Elevation
(over framing and battens)

DATE May 2019

SCALE 1:25 @ A4

DETAIL NO. SV-GA2