

SOLITEX MENTO

Roof Underlays



Waterproof

Weathertight

Windproof

Durable



BRANZ Appraised
Appraisal No.855 [2014]
SOLITEX MENTO 3000 Roof Underlay



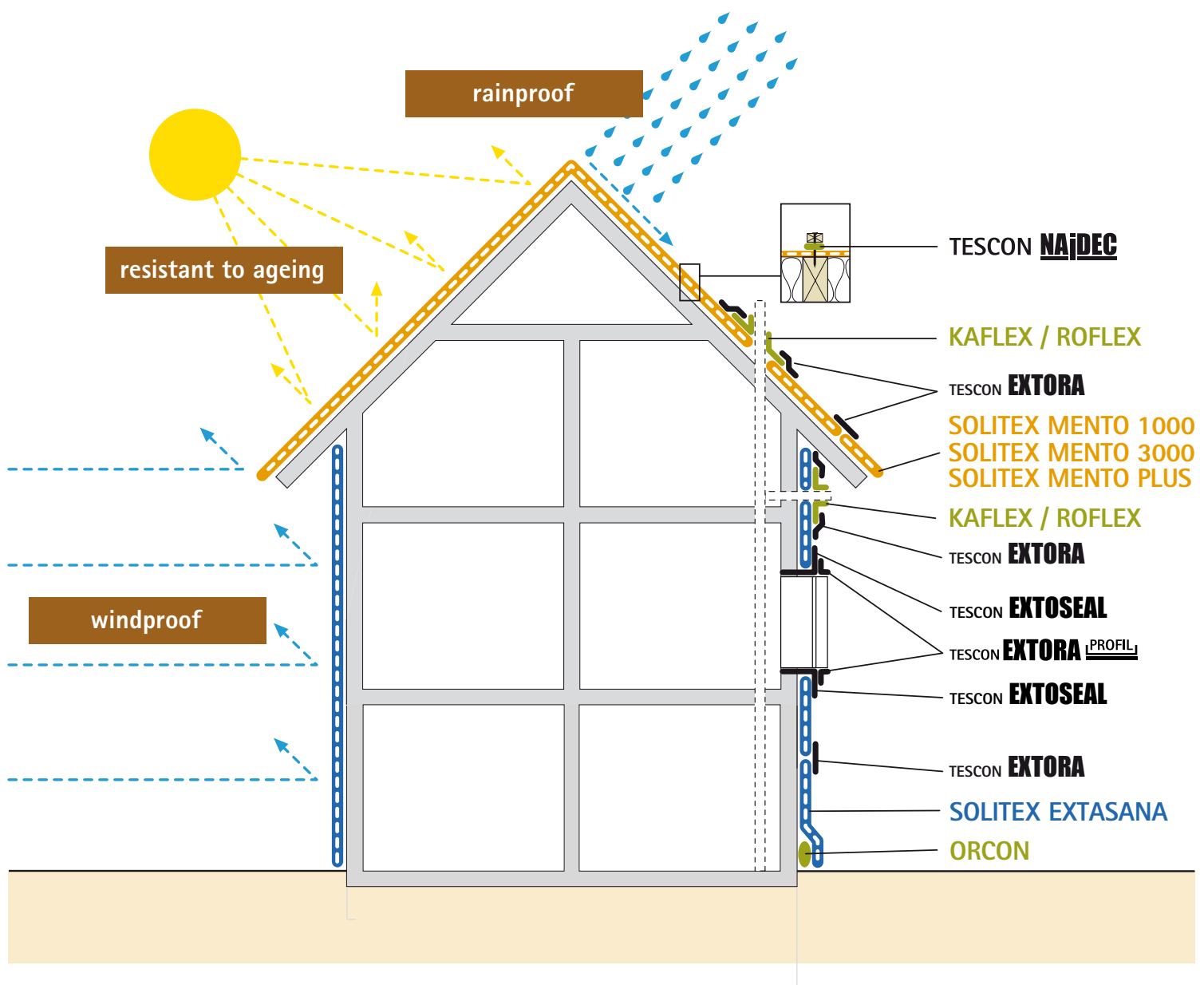
BRANZ Appraised
Appraisal No.876 [2014]
SOLITEX MENTO 1000 Roof Underlay



→ INSTALLATION GUIDE

CONTENTS

FEATURES AND ADVANTAGES	3
APPLICATION	4
TECHNICAL DETAILS	5 - 6
INSTALLATION / SYSTEM COMPONENTS	7
CONTACT DETAILS	8



→ FEATURES AND ADVANTAGES

SOLITEX MENTO is a synthetic building membrane, for use as a roof underlay on timber and steel framed buildings.

SOLITEX MENTO

- ✓ **New generation roof underlay**
 - high performance monolithic nonporous membrane
- ✓ **High water resistance**
 - water column more than 10,000 mm based on EN 20811
- ✓ **Low vapour resistance**
 - very low MVTR with active vapour transport
- ✓ **High durability under all conditions**
 - unaffected by wood preservatives
- ✓ **Thermostable**
 - thermostability above 100 °C
- ✓ **UV stabilised**
 - can be exposed to the New Zealand elements for 90 days*



Cover fleece

The robust polypropylene microfibre cover fleece is water - resistant and provides optimum protection against water penetration. It protects the specialist TEEE-film underneath from damage and UV radiation.

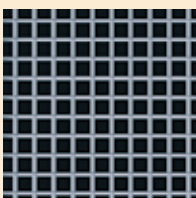
The honeycomb structure provides non-slip properties even when wet. It is coloured blue to prevent dazzling effect when it is installed.



TEEE-film open, specialist

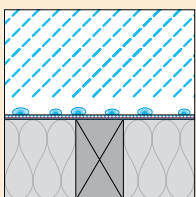
A stretchable, diffusion open specialist TEEE-film gives the pro clima SOLITEX membranes extremely high resistance to water penetration. At the same time, it allows the water vapour from the inside to pass almost unrestricted towards the outside.

In addition, the specific properties of the specialist TEEE-film ensure the excellent wind resistance properties of the pro clima SOLITEX membranes.



Reinforcement material

The tightly meshed PP reinforcement material doubles the overall strength of the SOLITEX MENTO PLUS membrane. The material is highly effective at preventing the membrane being penetrated through accidental treading or nail tearing.



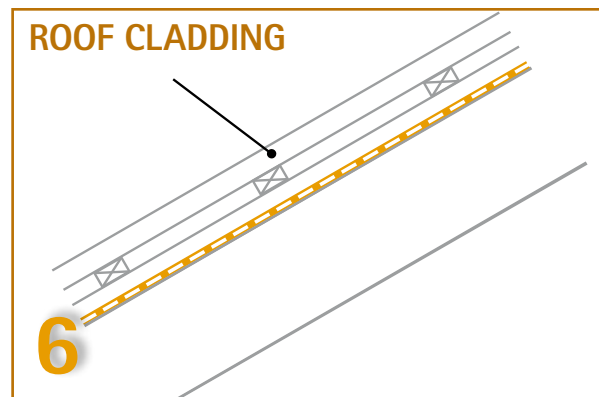
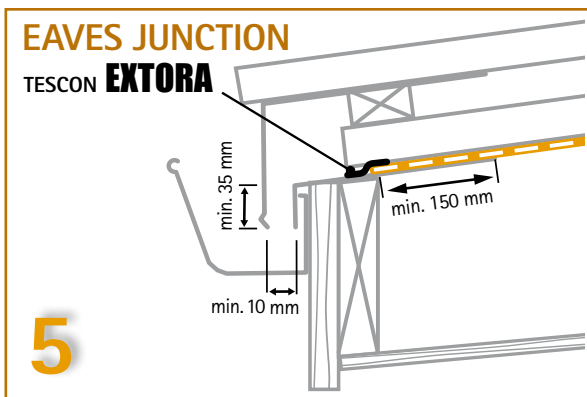
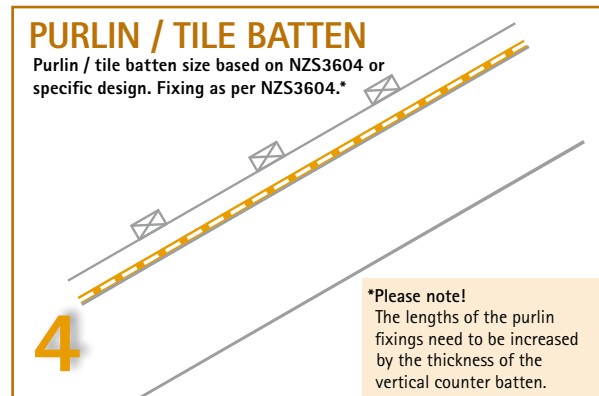
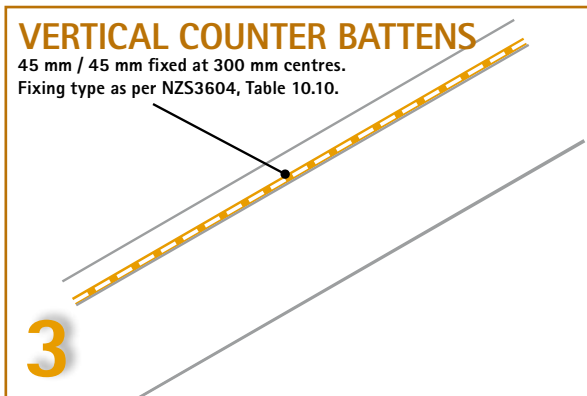
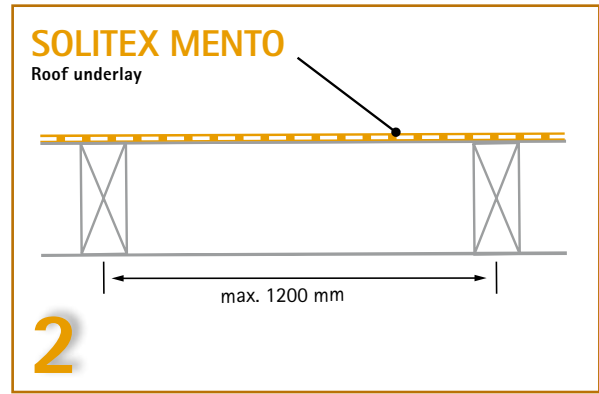
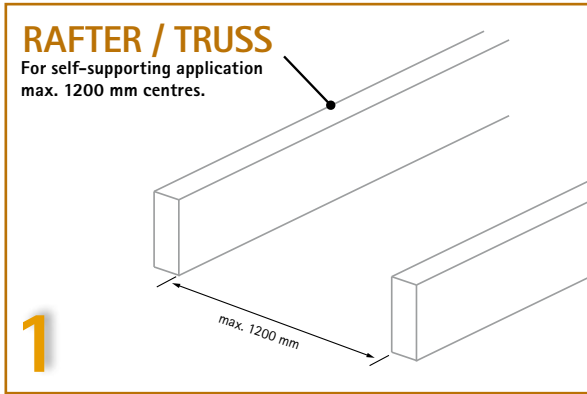
No tent effect

The fact that the pro clima SOLITEX membranes are multi-layered prevents the tent effect (tent canvases leak at points of contact). The pro clima SOLITEX membranes can be supported across the whole surface.

For more detailed technical information please refer to the pro clima New Zealand Study.

* SOLITEX MENTO 1000 for 7 days

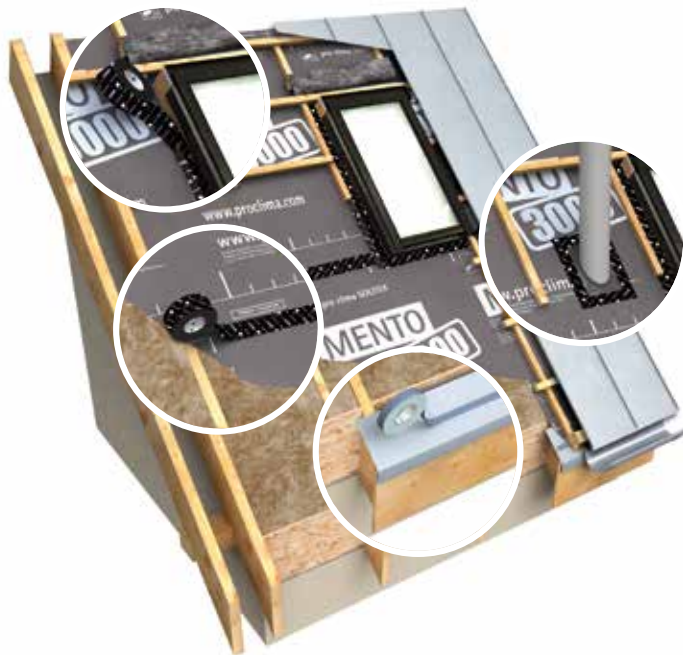
→ APPLICATION



→ TECHNICAL DETAILS

SOLITEX MENTO FAMILY Three or four layer roof underlays

APPLICATION: SOLITEX MENTO is designed to be used with most typical roof cladding systems, provided it is not exposed to the weather or ultra-violet light for a period greater than 90 days.*



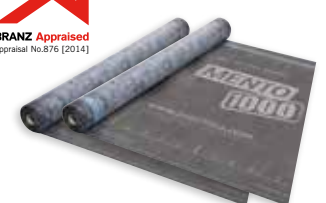
Also available: **connect**-technology with two integrated self-adhesive zones



SOLITEX MENTO PLUS
Four layer reinforced roof underlay



SOLITEX MENTO 3000
Three layer roof underlay



SOLITEX MENTO 1000
Three layer roof underlay



ARTICLE	ID CODE	EAN	LENGTH	WIDTH	AREA	KG/PU	PU	PU/PAL
SOLITEX MENTO 1000	15048	4026639150486	50 m	1.50 m	75 m ²	9	1	30
SOLITEX MENTO 3000	13648	4026639136480	50 m	1.50 m	75 m ²	11	1	20
SOLITEX MENTO 3000	14354	4026639143549	50 m	3.00 m	150 m ²	22	1	20
SOLITEX MENTO 3000 connect	12909	4026639129093	50 m	1.50 m	75 m ²	11	1	20
SOLITEX MENTO PLUS	13334	4026639133342	50 m	1.50 m	75 m ²	13	1	20
SOLITEX MENTO PLUS	13758	4026639137586	50 m	3.00 m	150 m ²	26	1	20
SOLITEX MENTO PLUS connect	12911	4026639129116	50 m	1.50 m	75 m ²	13	1	20

Advantages:

High wear-resistance microfibre fleece; very high resistance to driving rain; very high thermal stability; suitable for use as temporary roof covering as recommended by pro clima

System Products:

TESCON EXTORA, KAFLEX, ROFLEX, TESCON NAIDEC, ORCON, DUPLEX

Technical data:

	MENTO 1000	MENTO 3000	MENTO PLUS
Cover-fleece + protective-layer:	PP microfibre fleeces		
Membrane:	monolithic TEEE film		
Reinforcement:	-		PP
Attribute			
Colour:	anthracite	anthracite	anthracite
Surface weight:	115 ±5 g/m ²	150 ±5 g/m ²	175 ±5 g/m ²
Temperature resistance:	between -40°C and +100°C	between -40°C and +100°C	between -40°C and +100°C
MVTR-value:	very low	very low	very low
Thickness:	0.40 ±0.05 mm	0.45 ±0.05 mm	0.60 ±0.10 mm
Tensile strenght MD/CD:	220 ±15 N/5 cm / 185 ±15 N/5 cm	300 ±20 N/5 cm / 220 ±20 N/5 cm	500 ±30 N/5 cm / 330 ±30 N/5 cm
UV exposure:	7 days	90 days	90 days
Shrinkage:	< 0.5 %	< 0.5 %	< 0.5 %
Flammability:	< 5	< 5	< 5

* SOLITEX MENTO 1000 for 7 days

→ TECHNICAL DETAILS

SOLITEX UM connect Four-layer underlay with 3D separation layer and self-adhesive strip

Application: SOLITEX UM connect is suitable for ventilated or unventilated structures in combination with any type of roofing or façade materials such as titanium, zinc, aluminium, stainless steel, galvanised steel, copper etc..



SOLITEX UM
Four-layer underlay with 3D separation layer and self-adhesive strip



ID CODE	EAN	LENGTH	WIDTH	AREA	KG/PU	PU	PU/PAL
13598	4026639135988	25 m	1.50 m	37.5 m ²	19	1	10

Advantages:

Optimum protection for the roof; highly diffusion-permeable, but with maximum resistance to driving rain; 3D separation layer provides increased acoustic insulation and ventilation between timber sarking and the metal cladding; very high thermal stability; integrated self-adhesive strip

System Products:

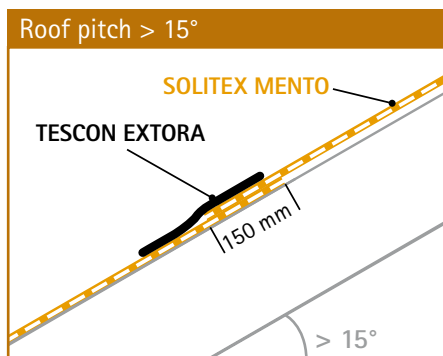
TESCON EXTORA, KAFLEX, ROFLEX, TESCON NAIDEC, ORCON, DUPLEX

Technical data:

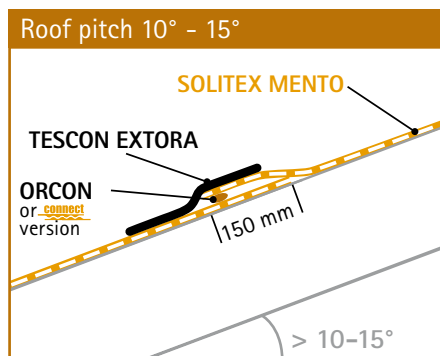
Cover-fleece + protective-layer:	PP microfibre fleeces
Membrane:	monolithic TEEE film
Thickness:	8.0 ±0.5 mm
MVTR-value:	0.30 ±0.10 MNs/g humidity variable
Surface weight:	450 ±10 g/m ²
Temperature resistance:	-40 °C to +100 °C
Tensile strenght MD/CD:	285 ±15 N/5 cm / 215 ±15 N/5 cm

Please store under cover in clean and dry conditions.

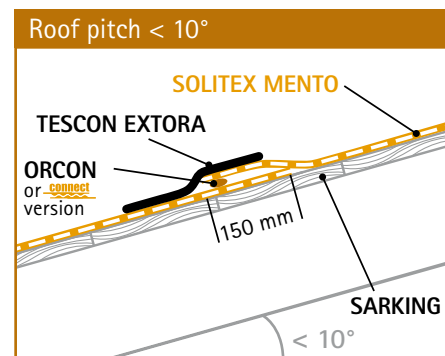
→ INSTALLATION



Fix to all framing members with 20 mm largehead flat head clouts, 8 - 12 mm stainless steel staples or proprietary underlay fixings. The fixings should be at 100 mm - 150 mm centres.



The membrane must be pulled taut over the framing before fixing.



Any laps must be no less than 150 mm. (Please contact pro clima if the roof pitch is < 5°.)

Separation or protection must be provided to the roof underlay from heat sources such as fire places, heating appliances, flues and chimneys. Part 7 of NZBC Acceptable Solutions C/AS1 - C/AS6 and NZBC Verification Method C/VM1 provide methods for separation and protection of combustible materials from heat sources.

Please note!

To ensure a durable, windproof and weathertight seal using the pro clima TESCON EXTORA around overlaps, skylights or other components, the surfaces must be stable, dry, smooth, free from dust, dirt, silicone and grease. Remove all unwanted material from the surfaces with a vacuum cleaner or cloth if necessary. It is important to remove flaking and loose materials such as peeling paintwork, building papers and labels. Adhesion to frozen surfaces is not possible. In case of doubt, adhesion tests should be carried out. The pro clima SOLITEX MENTO is designed to be used behind most typical roof cladding systems, provided it is not exposed to the weather or ultra-violet light for a period greater than 90 days.*

* SOLITEX MENTO 1000 for 7 days

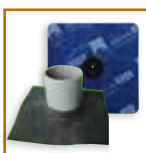
→ SYSTEM COMPONENTS



TESCON EXTORA

Weathertight sealing tape

Windproof and weathertight sealing of wall underlays, roof underlays and other weathertightness layers.



KAFLEX / ROFLEX

Weathertight sealing grommets

Sealing grommets for cables and pipes that penetrate the membrane.



ORCON

Multi-purpose liquid adhesive

For connections to rough adjoining structural components or mineral surfaces.



TESCON NAIDEC

Double sided butyl rubber tape

As nail sealing tape on the underside of a purlin / batten on roofs to form a durable seal around nail or screw penetrations.

SOLITEX

... the essential element to ensure optimum weathertightness protection for your home under all New Zealand climate conditions

For more information please contact us:

Pro Clima NZ Limited

PO Box 925

Wellington 6140

Phone: 04 589 8460

Fax: 04 589 8461

Email: welcome@proclima.co.nz

www.proclima.co.nz

0800 PRO CLIMA (776 254)

In New Zealand pro clima also offers the INTELLO airtightness membrane.

The INTELLO membrane is part of the Intelligent Airtightness System "IAS" that is very innovative and effectively eliminates uncontrolled air leakage and moisture build-up within the construction. This product has been in production in Germany since 1994.

The INTELLO membrane whilst being airtight acts also as a "vapour check" eliminating condensation, damp, mould and rot. The result is structural soundness, enhanced thermal performance, reduced CO₂ emissions and improved indoor air quality. Homes and buildings are healthier, warmer, drier and more energy efficient throughout all seasons and regions in New Zealand.

