



# USB Charger Module Installation Instructions

## 894USB and 842M USB Chargers

### USB Charger Module 1.2 amp 6 watts , Modular USB charger

#### Installation & Consumer Instructions for Cat. 894USB and 842M USB chargers

The PDL USB Charger is designed to be a universal battery charger suitable for a variety of products compatible with USB charging including, Phones, Smart Phones, Tablets, Cameras, GPS devices and many other products.

Being modular the PDL USB charger offers great flexibility making it easy to clip into a wide variety of plates and is suited for many applications. Its compact design enables fit off into most existing flush boxes and installations.

The charger has cable compensation capabilities to ensure maximum charge rates for devices while maintaining an extremely low usage when on stand-by power (<0.07W)

With surge, overcorrect and over temperature protection, the charger is internally protected when thermal and electrical tolerance's are exceeded. It also meets the BCS1.2.USB charging standard.

#### Specifications

Maximum Input Current	80mA
Output Voltage over 500mA	>2V
Output Voltage Standby	4.75V - 5.25V
Output Voltage up to 500mA	4.75V - 5.25V
Maximum Output Current	5V = 1.2A
Standby Power	70mW

Supply Voltage	230-240V a.c
Input frequency	50Hz
Standards	IEC 60950-1, AS/NZS 3100, CISPR 22, AS/NZS 4665

#### Warranty Statement

This product is guaranteed for a period of twelve months from the date of purchase against defects in workmanship and materials. Defects will be rectified by replacement of the product purchased except where, at our discretion, minor adjustments can be undertaken. The guarantee becomes invalid if, in our opinion, the product has been misused, abused, incorrectly installed, tampered with, connected to a power supply not corresponding with specifications, or subject to power surges. The guarantee does not include any labour or other associated expenses that may be involved in removal or installation of the product.

To obtain a replacement under this guarantee, return the goods (prepaid) to the place of purchase or direct to the Australian/NZ distributor. Proof of purchase must be supplied.

This product does not contain any user serviceable parts. Spare parts and repair facilities are not available.

This guarantee is in addition to and does not affect your rights under applicable law, except where that law expressly provides otherwise. The consumer Guarantees Act 1993 (NZ) will not apply if this product is purchased for the purpose of business.

#### Wiring Instructions

The PDL USB charger has a single polarised input connection. There is a non-resettable fuse on the active line in case of a failure of the device. The fly leads from the 842MUSB are labelled as Active and Neutral. During installation they must be wired to the correct line from the Mains supply.

The device needs to be located within a wall cavity and clipped into a mounting plate to adhere to safety standards. The fly leads are single insulated wires and must be enclosed within an approved wall box or wall cavity.

The following diagrams demonstrates the required wiring:

#### IMPORTANT

#### **WARNING Electrical Shock Hazard**

The supply circuit must be turned off, locked and tagged before wiring the USB charger.

Ensure when assembling USB conductors that the wiring is connected to the correct terminals.

After wiring, wrap the connector block with insulating tape.

Warning: Electrical Shock Hazard

The USB Charger must be connected to an easily accessible disconnect device, RCD or MCB. Failure to comply could result in serious personal injury.

# Install Instructions

## IMPORTANT

### **WARNING Electrical Shock Hazard**

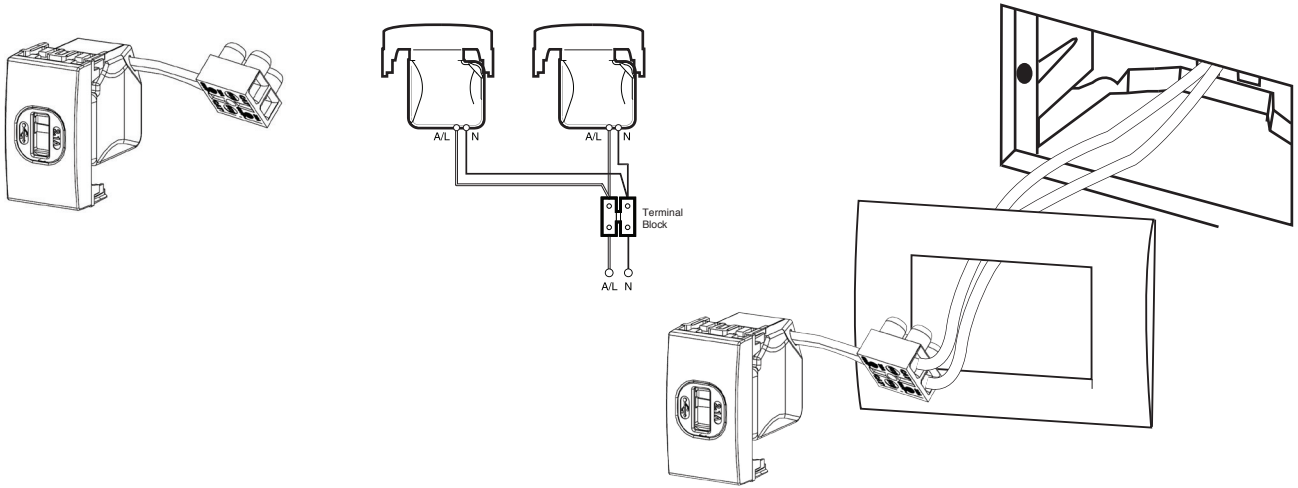
The supply circuit must be turned off, locked and tagged before wiring the USB charger.

Ensure when assembling USB conductors that the wiring is connected to the correct terminals.

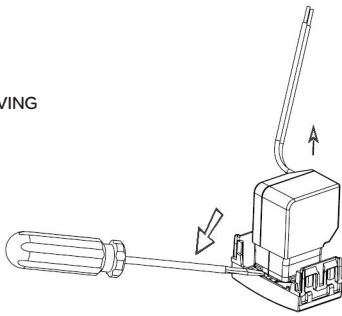
After wiring, wrap the connector block with insulating tape.

Warning: Electrical Shock Hazard

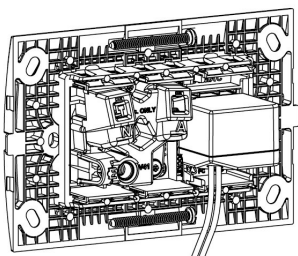
The USB Charger must be connected to an easily accessible disconnect device, RCD or MCB. Failure to comply could result in serious personal injury.



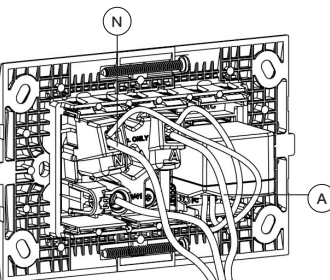
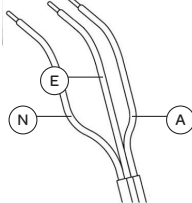
## REMOVING



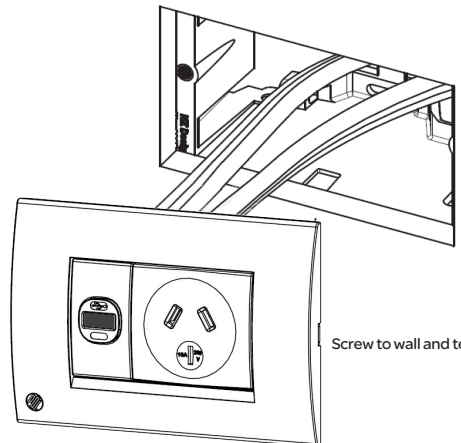
Pry out slowly  
Only use flat screwdriver  
(standard) 4mm wide  
minimum



Twist wires together



Terminate wires into  
socket tightens screws



Screw to wall and test

Schneider Electric (NZ) Ltd.

38 Business Parade South,  
East Tarnaki, Manukau 2013  
PO Box 259370, Botany, Manukau 2163  
Tel: +64 9 829 0490 Fax: +64 9 829 0491

Customer Car: 0800 652 999  
Email: sales@nz.schneider-electric.com  
www.schneider-electric.com

