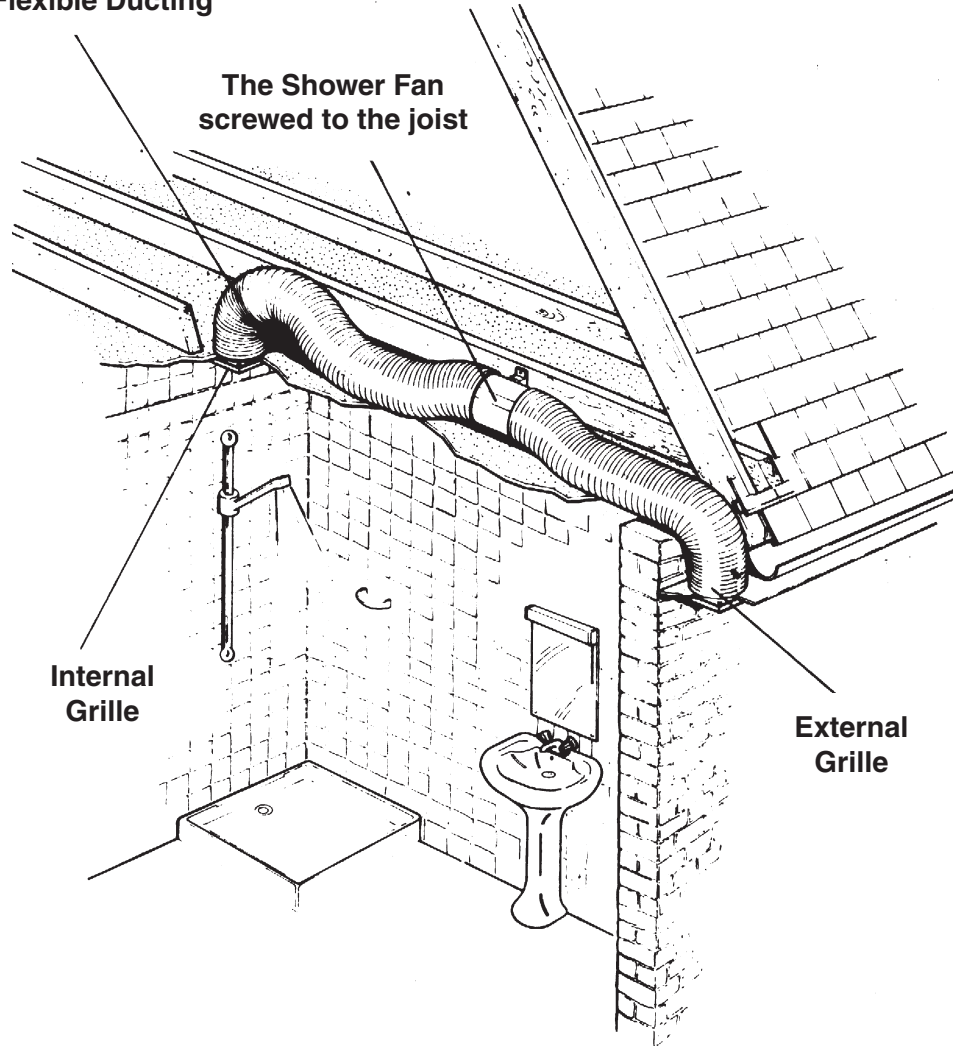


Example of a ECO150 fan installation in a bathroom.

Flexible Ducting



INSTALLATION INSTRUCTION FOR THE MANROSE ECO150S or ECO150T FAN MODELS

The Manrose Fan is designed exclusively for safe ventilation within a shower cubicle. This instructions below describe the installation of this fan in a bathroom, therefore 150mm ducting and grilles are required (not included) to accompany this fan.

Recommendations: 150mm PVC Flexible 5 metres ducting (Order Code: DCT0338)
150mm Eggcrate grilles (Order Code: DCT0473)

1. Cut a suitable size hole for the grille in the ceiling directly over the shower head ensuring first that the area above is free from obstruction and between two joists.
2. Select a suitable place for the Fan to be screwed to a joist and secure using two screws through the fixing bracket.
3. Select a suitable position either in the soffit or on an outside wall and cut a suitable size hole for the grille. Attach one end of the flexible duct to grille with duct tape and from the outside feed the ducting through the hole until the grille is flush with the soffit/wall. Secure the grille to the wall.
NB: It is best not to cut the flexible ducting until the grille has been screwed to the outside surface to avoid the possibility of cutting the duct too short.
4. Pull the flexible ducting gently to the discharge spigot of the fan and cut it to length and connect to the fan with duct tape.
NB: The discharge end of the Fan Unit is the end where you can see the fan blade clearly. There is also an arrow on the unit showing airflow direction.
5. Connect the other piece of duct to the ceiling grille and onto the fan as before using duct tape.
NB: Make sure wherever possible to keep the ducting running in a straight line as this will improve the performance of the fan.
6. Remove the cover on the Fan Bracket and make the electrical connection as follows:

Wiring of Standard Model ECO150S Diagram W1.

The fan can be connected to the light switch so that the fan will start when the light is switched on. The fan should not be accessible to a person using either the shower or the bath.

Note: All wiring must be fixed securely and the cable to the fan should be a minimum of 1mm² in section. All wiring must comply with current Regulations. This system should be installed by a qualified electrician.



*Manrose Manufacturing Ltd reserve the right to change specification without prior warning

Securimax
SECURIMAX LIMITED

PO Box 14 347 Panmure, Auckland, NZ.
Technical Support Telephone (09) 259 1662 Facsimile: (09) 259 1661

Email: sales@securimax.co.nz Website: www.securimax.co.nz

Diagram W1

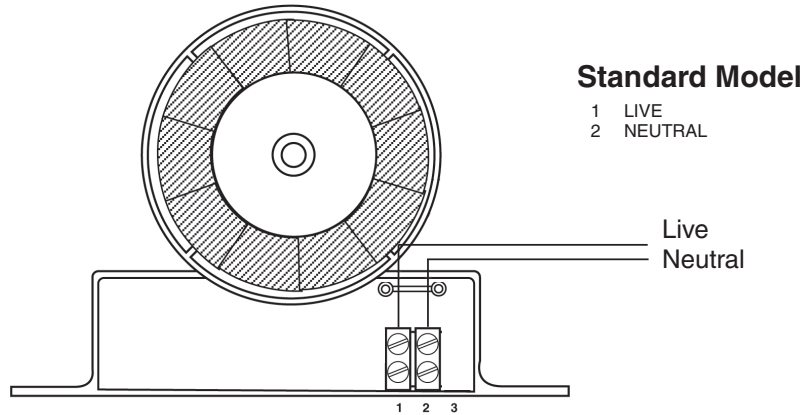
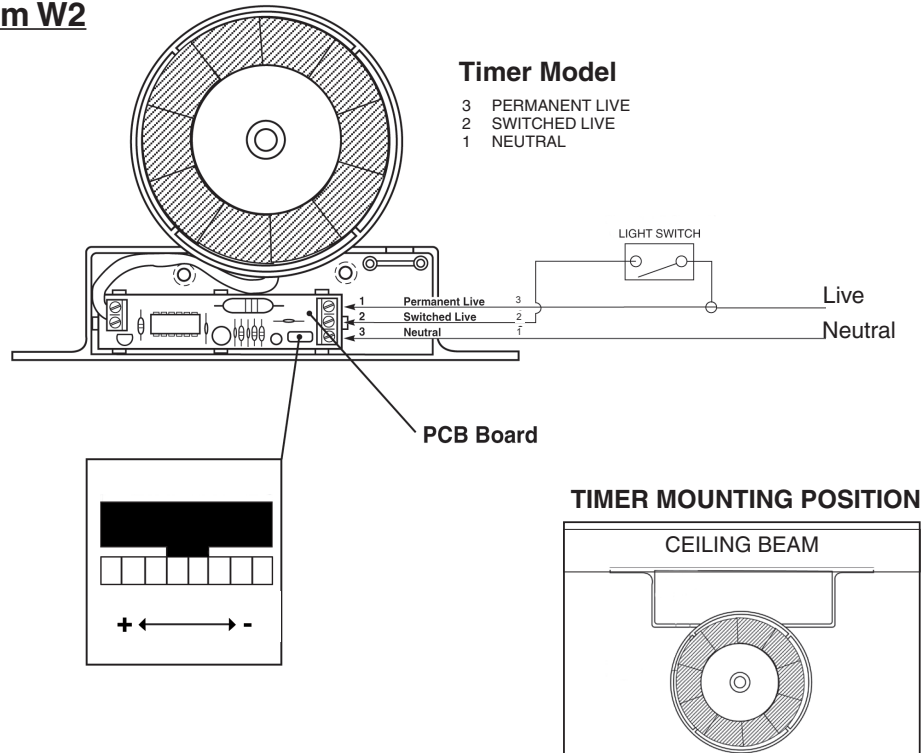


Diagram W2



7. Wiring of Timer Model ECO150T Diagram W2.

The fan can be connected to the light switch so that the fan will start when the light is switched on. The fan should not be accessible to a person using either the shower or the bath.

8. The fan can be connected to the light switch so that the fan will start when the light is switched on. When the light switch or pullcord is switched off the fan will run for between 20 seconds & 30 minutes (pre-set to 1 minute). The fan should not be accessible to a person using either the shower or the bath.

NOTE: All wiring must be fixed securely and the cable to the fan should be a minimum of 1mm² in section. All wiring must comply with current Regulations. This system must be installed by a qualified electrician.

Timer Adjustment ECO150T

This time delay can be adjusted by firstly switching off the power to the fan and removing the fascia. Locate the rotary adjuster as shown in **Diagram W2**. The serrated adjuster wheel can be rotated using a thumbnail to adjust the timer setting.

- + = Rotate to the left to increase the time (indicated by + on the diagram)
- = Rotate to the right to decrease the time (indicated by - on the diagram)

Only adjust with power switched off.

NOTE: This unit is double insulated and therefore does not require an earth. The time delay is preset for approximately one minute and can be adjusted as described in paragraph 9. Try to keep the ducting as straight as possible and wherever possible keep the distance between the ceiling grille and the external soffit or wall as short as possible as the shorter the length of ducting the better the performance of the fan.

Specifications - ECO150S/ECO150T

Electrical:	220-240V ~50Hz	☐ ▲
Fan Wattage:	25W	
Airflow	64l/s (230m ³ /hr)	
	(Free air performance)	
IP Rated:	IP44	
Max Temp:	40°C	
Max Pressure:	50Pa	
Sound Volume:	40dB(A)	

IMPORTANT

- Isolate the main supply before making any electrical connections. This system should be installed by a qualified electrician.
- When fitting through an external wall, an external grille must be fitted at all times.
- Fan should only be installed by fixed wiring, a flexible cord should not be used.
- The appliance is not intended for use by young children or infirm persons without supervision.
- Young children should be supervised to ensure that they do not play with the appliance.
- Precautions must be taken to avoid the back-flow of gases into the room from the open flue of gas or other open-fire appliances when mounted in outside windows or walls.