

DATASHEET

348B6TMBT-VW

Pushbutton, 6 Amp Timer with BLE and ControlLink

Application

The pushbutton timer is a 3 wire, 6AX maximum rated time delay device with BLE (Bluetooth Low Energy) connectivity, suitable for controlling a huge range of electrical products. The tactile pushbutton has been designed to match other pushbutton devices in the range with respect to look and feel. A user menu access via the push button or the Wisier Room smartphone App allows for configuration of features such as LED indicator behaviour and time delay periods. When configuring with the Wisier Room App, delay periods from 1 second to 24 hours can be achieved with a 1 second resolution.

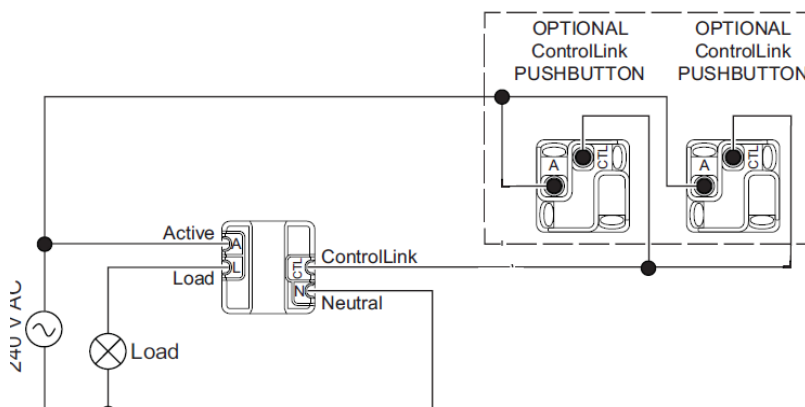
The pushbutton timer includes ControlLink technology that allows for multi-way triggering over conventional mains wiring. ControlLink also allows for multiple units to be connected to control larger individual loads.

The momentary ControlLink switch (Cat No 356PBSS-VW) can be connected so that low cost multi-way triggering can be achieved without the need for expensive secondary switch mechanisms. ControlLink will also operate with conventional electro-mechanical momentary switches.

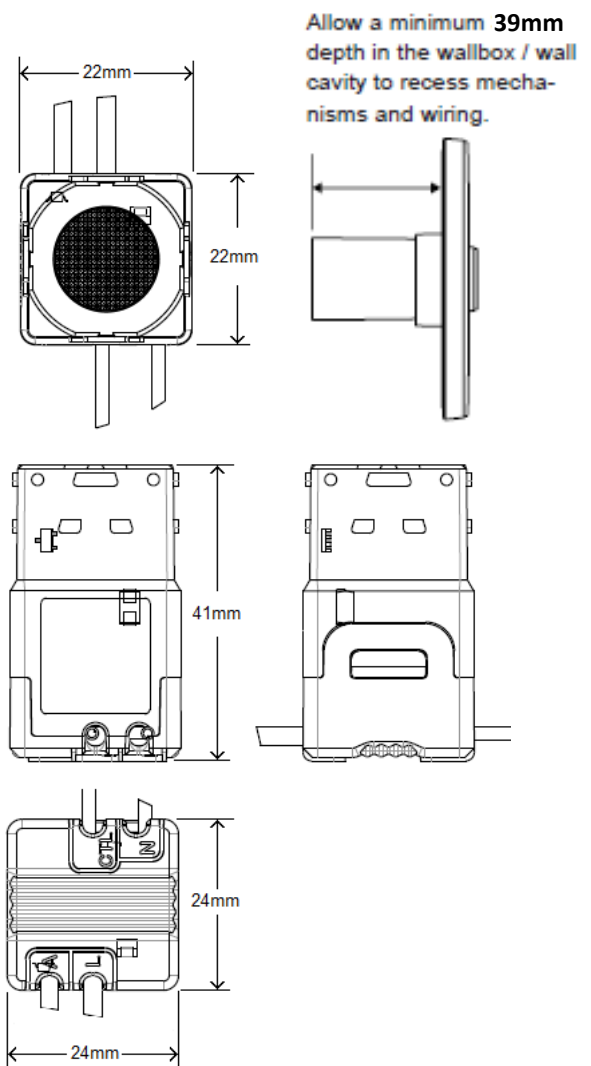


Features

- Delay timer, 1 second to 24 hour time delay (1 sec resolution)
- Configurable LED Indicator
- Configure from on-board menu via push button or using Wisier Room smartphone App
- ControlLink for multi-way triggering
- 6AX rated 240V latching relay contact (3 wire design)
- Comes with Vivid White (VW) push button assembly
- Fan run-on timer feature
- Installer restore feature (within Wisier Room App)
- Additional colour options through optional parts packs



Wiring Diagram example: Remote triggering using 356PBSS mechs.



Specifications

Operating Voltage:	220-240V ac 50Hz
Maximum Load:	6 AX, 6A inductive (0.8pf), motor – M30 (5A@0.5pf)
Minimum Load:	0 W (no minimum load)
Switching Technique:	Latching Relay (switched active output)
Operating Temperature:	0°-45° C
Storage Temperature:	0°-60° C
Ambient Operating & Storage Humidity:	5% ~ 90% Relative Humidity, Non-Condensing
Connection:	Flying Leads (Active, Neutral, Load, ControlLink) Length: 105mm
Time delays:	Via App: 1 second to 24 hours in 1 second increments Via Push button menu: 30s, 1m, 5m, 15m, 30m, 1h, 2h & 4hr
Fan Run On timer:	Activated via app: 1 second to 24hr Activated via Push button menu: 5 min preset.
LED Indicator:	Warm white, configurable modes
Multi-way Control:	Switching through ControlLink using conventional wiring
Plate Compatibility:	Suitable only for Iconic Series Plates.
App Details:	PDL Wiser Room (available from App store and Google play)
Compatible Smart devices:	All devices with Android v4.4 or IOS9 or above.
Wireless Technology:	Bluetooth Low Energy (BLE) , 2.4GHz. Range: Approximately 10m indoors.
Installer Restore:	Configured within Wiser Room app, (Default Password – 1234)

Derating Details

Mechanisms per Plate	Maximum load per mechanism
1	6 A
2	4.5 A
3	4 A
4	3 A
5	2 A
6	1.5 A

Ordering details

Catalogue No.	Description
348B6TMBT -VW	6 A Timer with ControlLink
Accessories	
300PBC-VW	PB Mech Colour Cap- Vivid White (pk 5)
300PBC-WY	PB Mech Colour Cap- Warm Grey (pk 5)
300PBC-CY	PB Mech Colour Cap- Cool Grey (pk 5)
300PBC-AN	PB Mech Colour Cap- Anthracite (pk 5)



300PBC-VW

PDL New Zealand Ltd

38 Business Parade South, East Tamaki, Auckland 2013

Phone: + 64 (9) 829 0490

Fax: + 64 (9) 829 0491

Customer Care: 0800 652 999 Email: sales@nz.schneider-electric.com

www.pdl.co.nz



As standards, specifications and designs change from time to time, always as for confirmation of the information given in this publication.