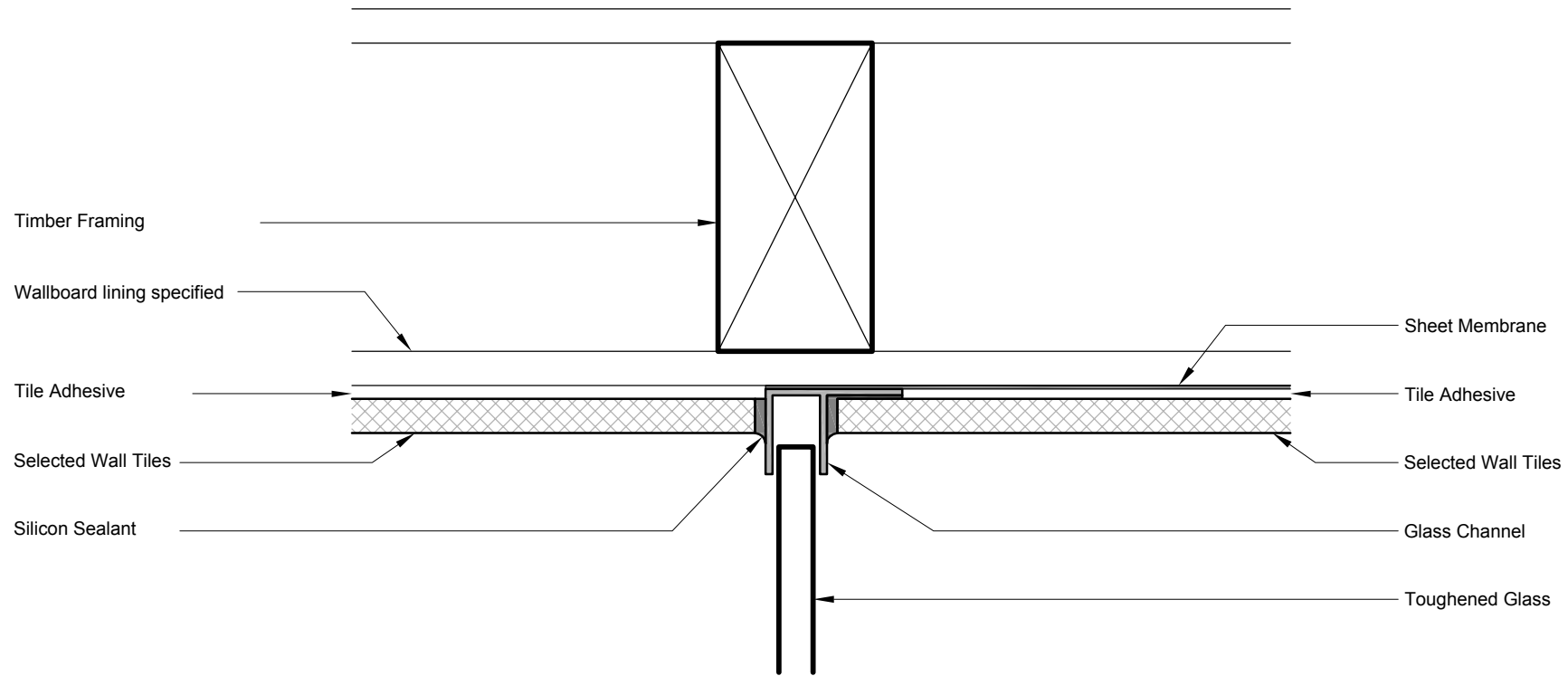


# Shower Glass Channel Detail

## Contents

- Glass to Wall Plan [D 04]
- Glass to Painted Wall Plan [D 04-2]
- Glass to Corner Tiled Wall Plan [D 04-3A]
- Glass to Corner Tiled Wall Plan [D 04-3B]
- Glass to Corner Tiled Wall Plan [D 04-4]
- Glass to Corner Tiled Wall Plan [D 04-5]



1

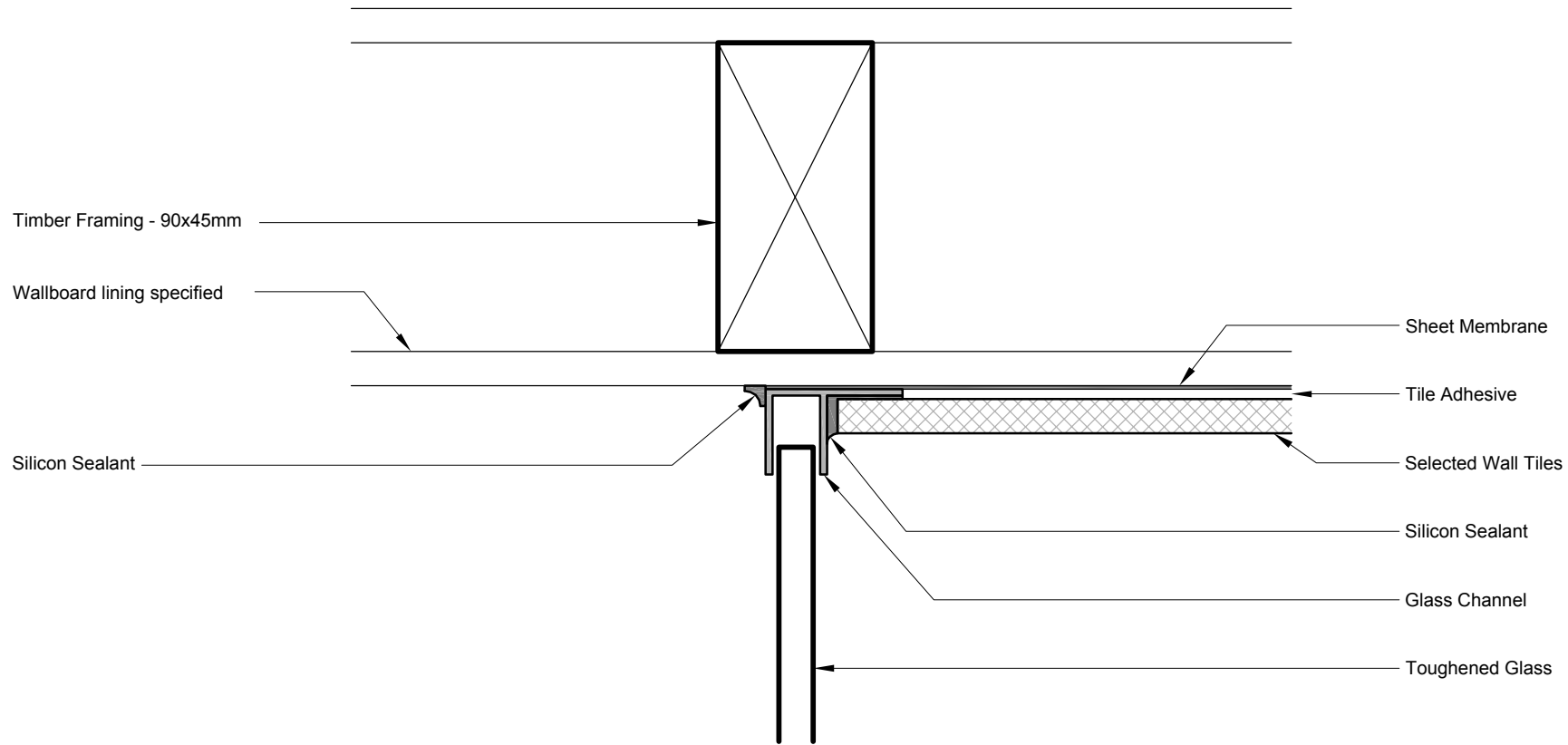
## Glass to Wall Plan

SCALE 1:2 © A4

Detail

D 04

Date: 30/09/2014



1

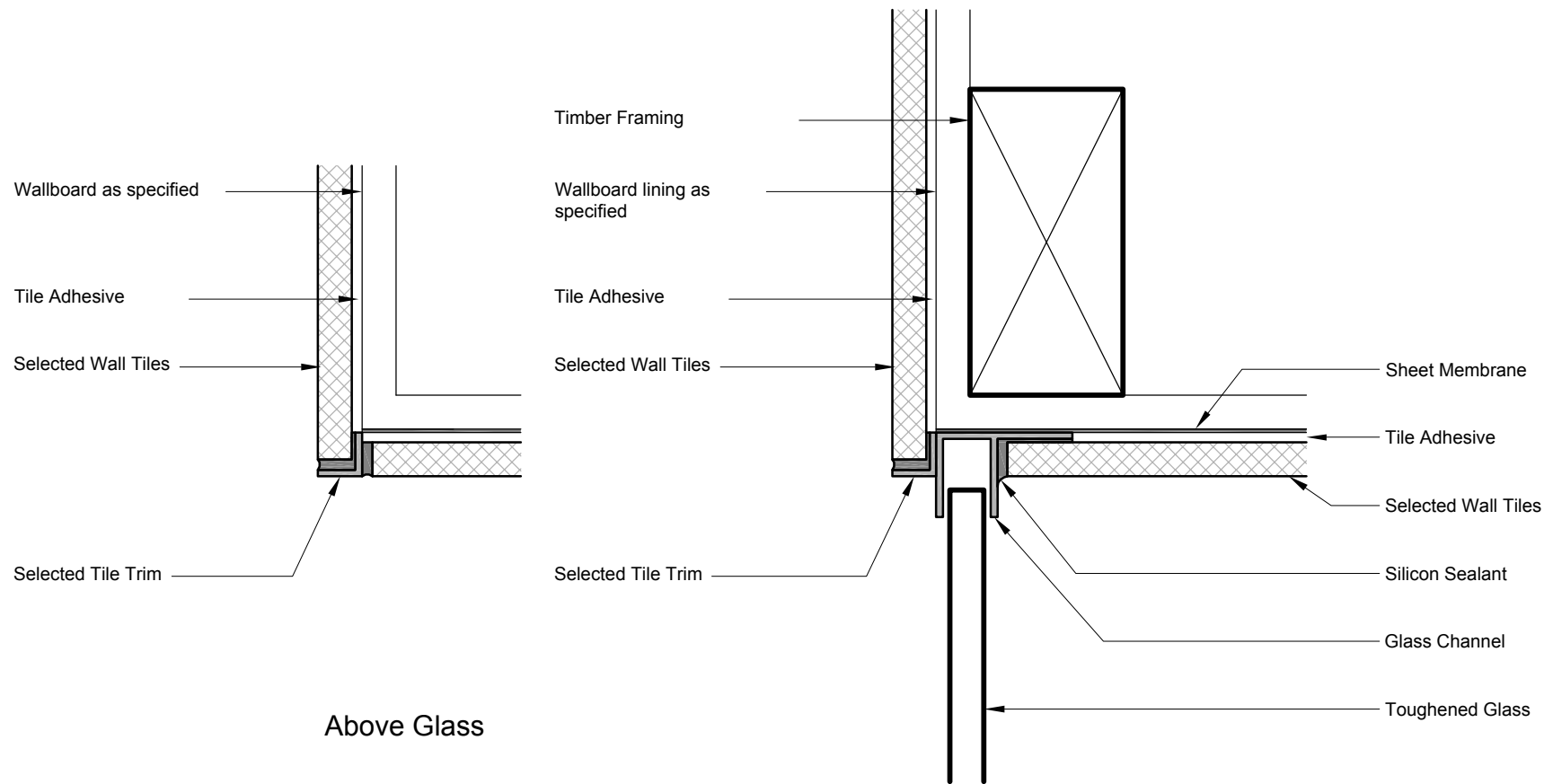
# Glass to Painted Wall Plan

SCALE 1:2 © A4

Detail

D 04 - 2

Date: 30/09/2014

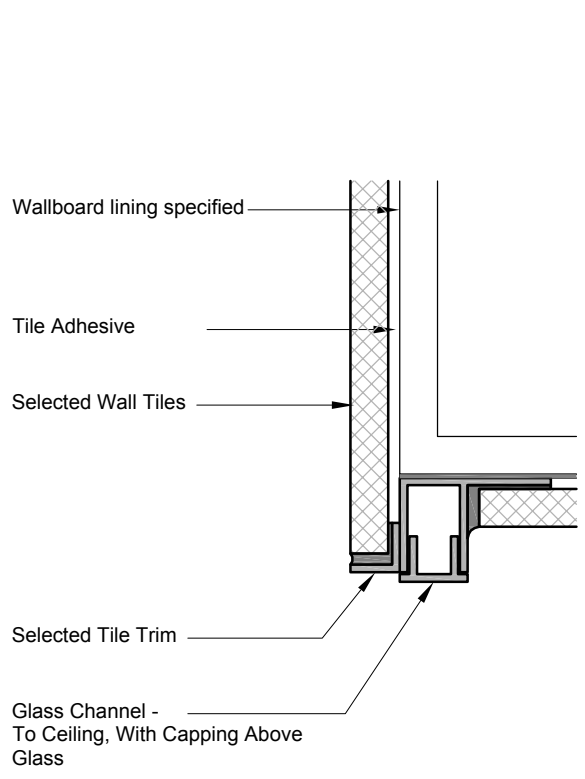


Above Glass

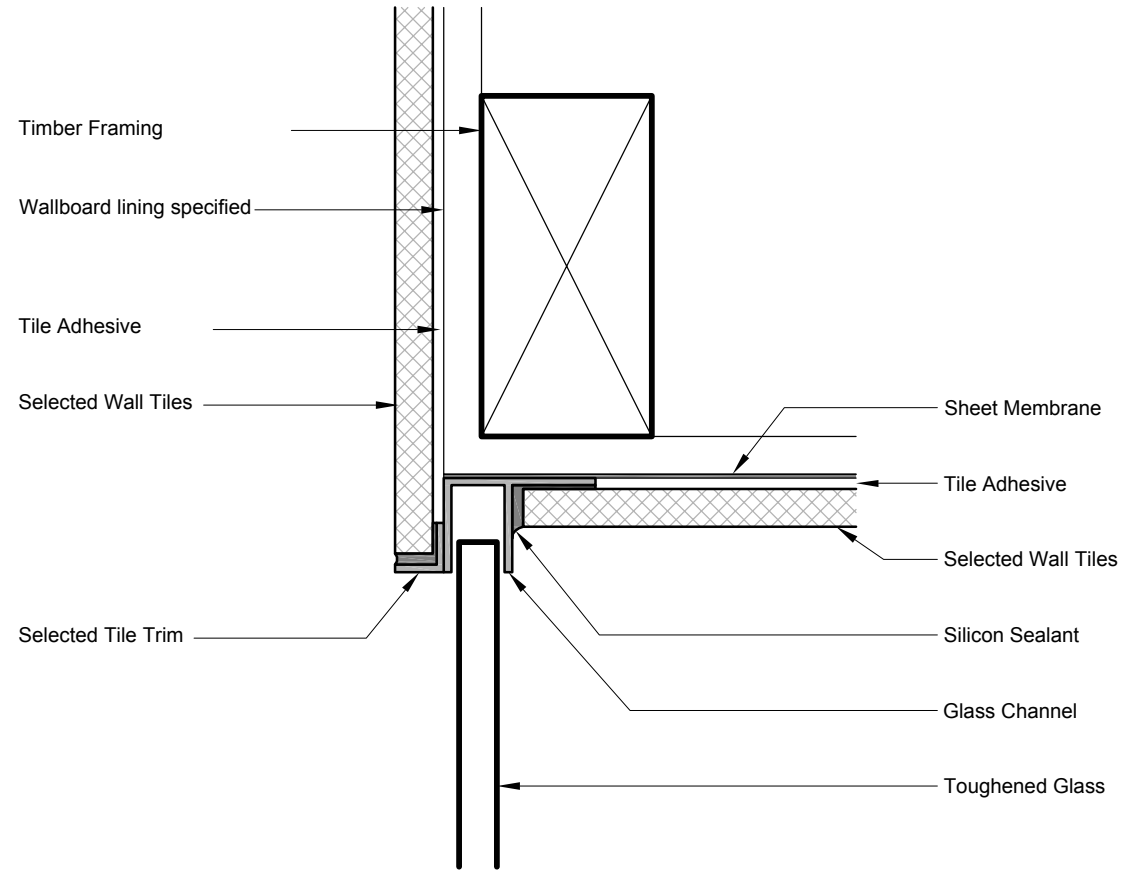
**1** Glass to Corner Tiled Wall Plan  
 SCALE 1:2 @ A4 (Level Entry Shower)  
 OPTION A

Detail D 04 - 3A

Date: 30/09/2014



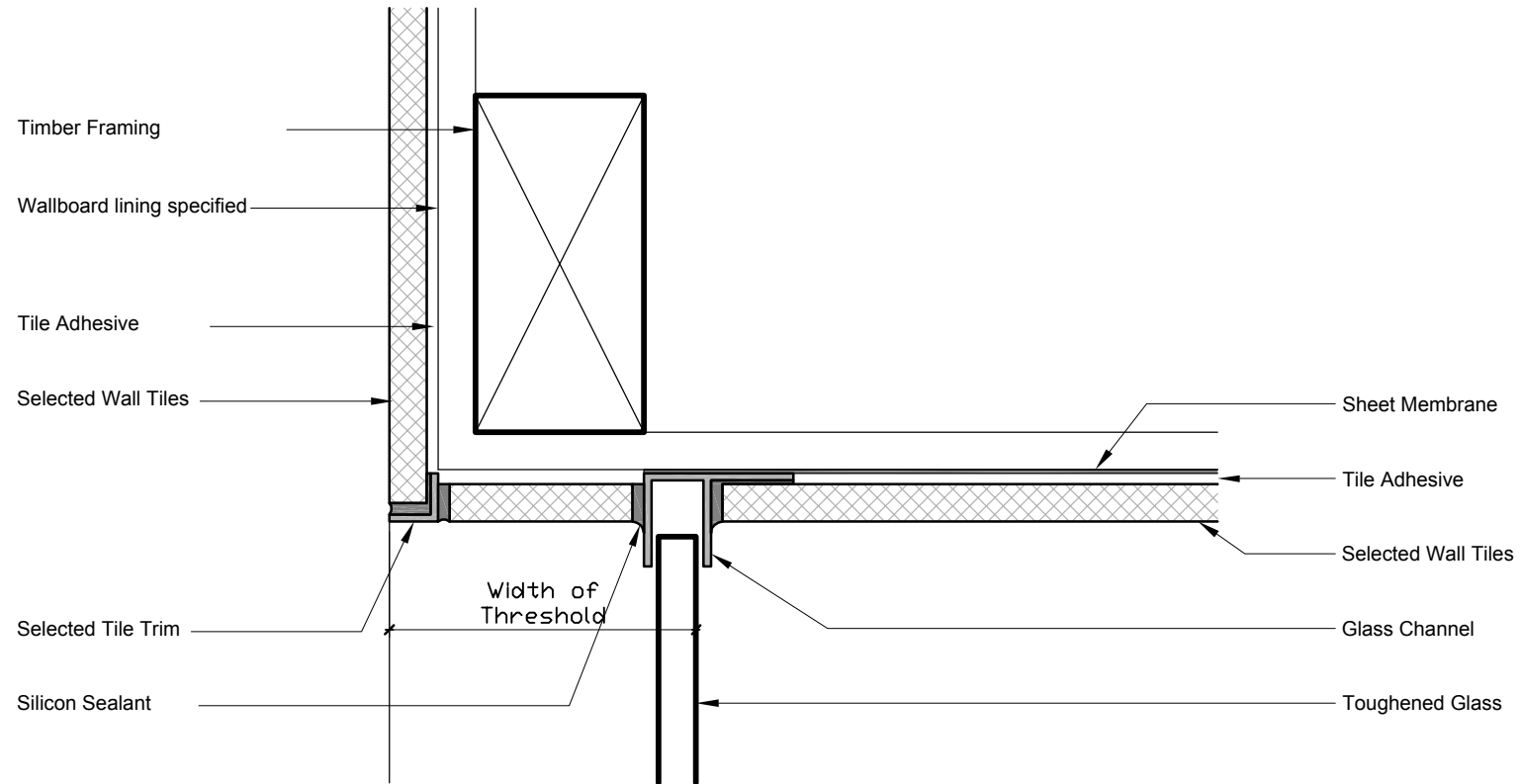
Above Glass



**1** Glass to Corner Tiled Wall Plan  
 SCALE 1:2 © A4 (Level Entry Shower)  
 OPTION B

Detail D 04 - 3B

Date:



1

## Glass to Corner Tiled Wall Plan

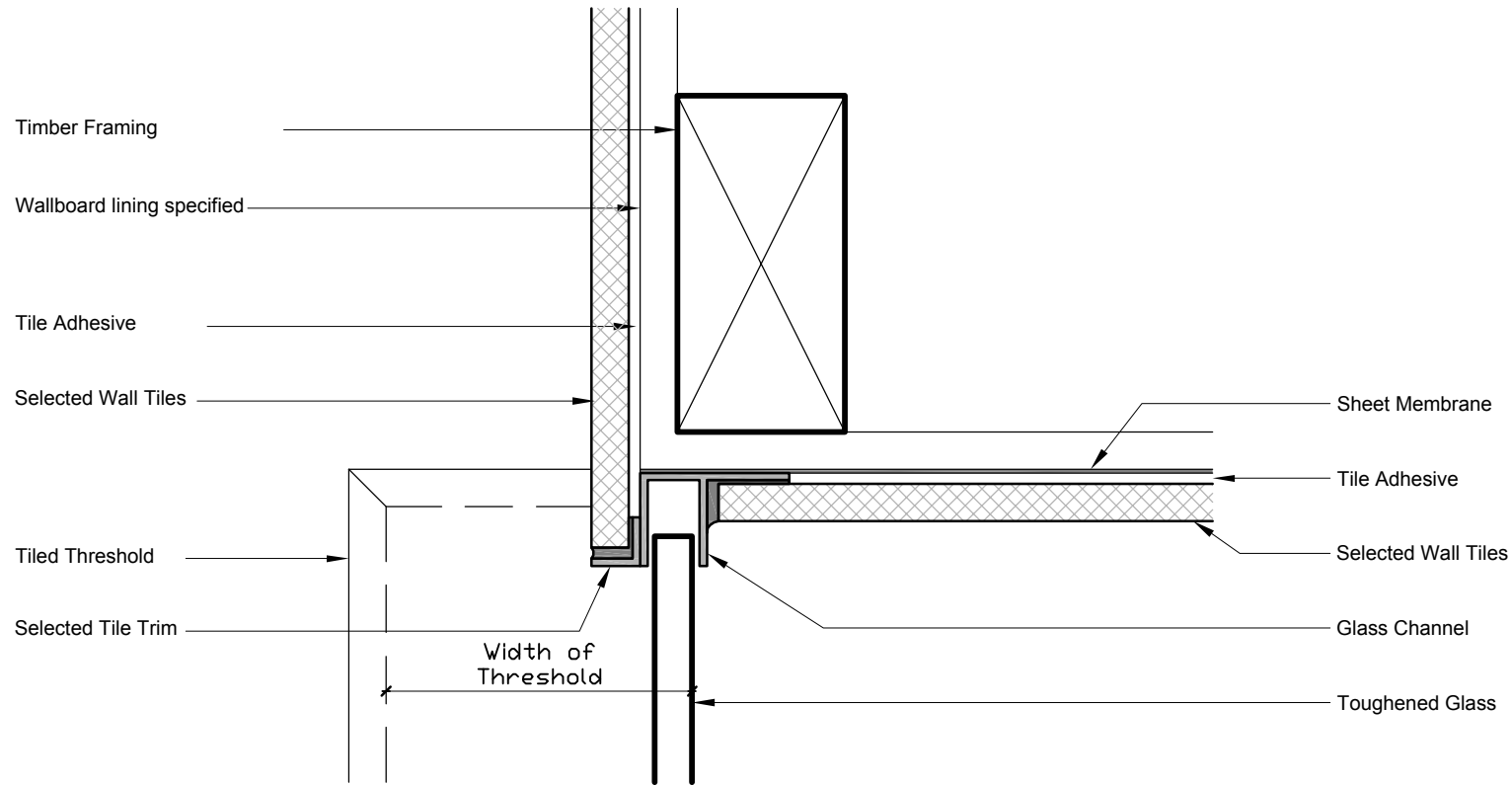
SCALE 1:2 @ A4

(Threshold Shower)

Detail

D 04 - 4

Date:



1

## Glass to Corner Tiled Wall Plan

SCALE 1:2 @ A4

(Threshold Shower)

Detail

D 04-5

Date: 30/09/2014