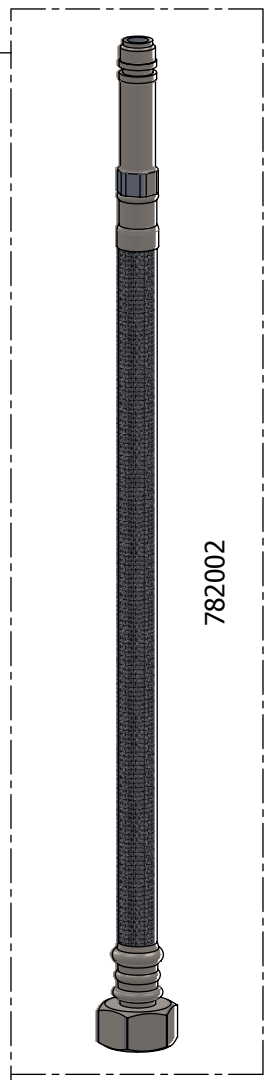
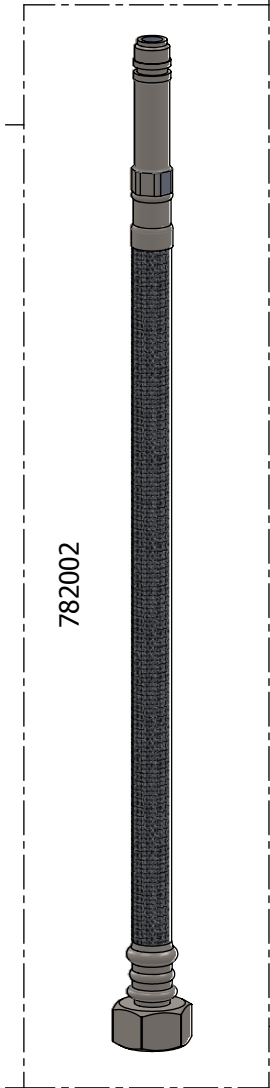
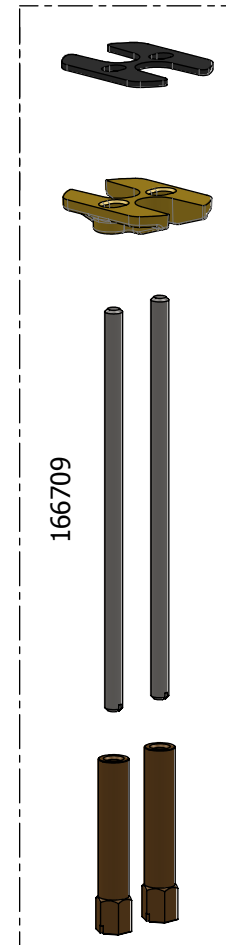
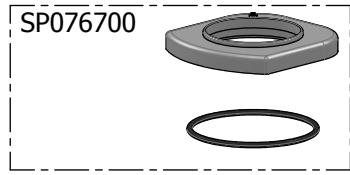
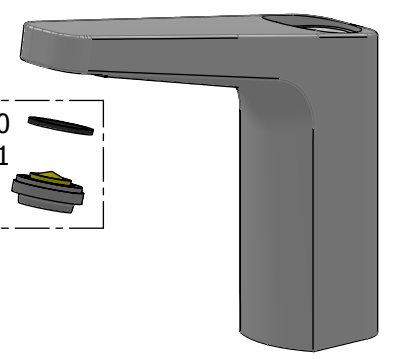
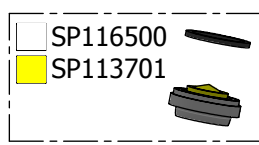
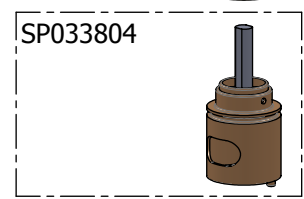
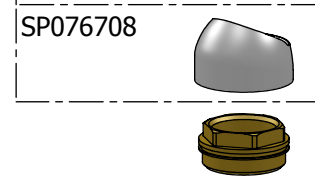
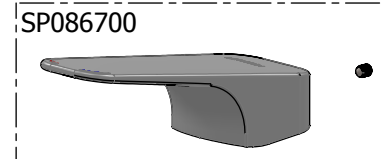
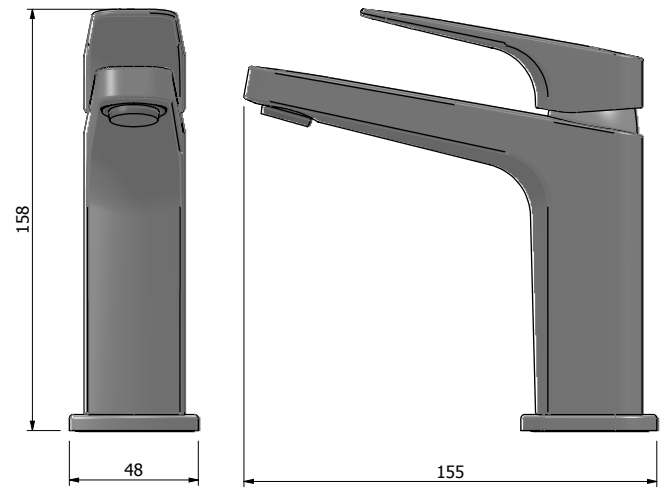


REV	DESCRIPTION	DATE	BY	ECA
-----	-------------	------	----	-----

G  
F  
E  
D  
C  
B  
A



**Process Control Notes:**

= Significant Characteristics  
 = Customer Significant Features  
 = Safety Critical Features

All identified features are required to be produced with a process Cpk ≥ 1.33

**Dimensions in mm**

Scale: 1:2

**DO NOT SCALE**

**TOLERANCES UNLESS SPECIFIED OTHERWISE**

LINEAR	ANGLES ± 3°
0 ± 0.4	SURFACE FINISH: 1.6/
0.0 ± 0.2	0.00 ± 0.1
CONCENTRICITY © 0.1 ALL Ø ABOUT COMMON CENTRELINE	

DRAWN: C Bauer 13/07/2016	CHECKED: Select checked by
MATERIAL: Refer parts	MASS: g
COLOUR: Refer parts	FINISH: Refer parts
DESCRIPTION: <b>Waipori Basin Mixer - SP</b>	

<b>mETHVEN LIMITED</b>		Sheet 1 of 1
Private Bag 19996, Auckland 1746 447 Rosebank Road, Avondale, Auckland 1026 PH (+649) 829-0429 FAX (+649) 829-0439		Sheet size A3
DWG. No. <b>WABCP</b>	REV <b>B</b>	

METHVEN\_PRODUCT\_TEMPL\_04