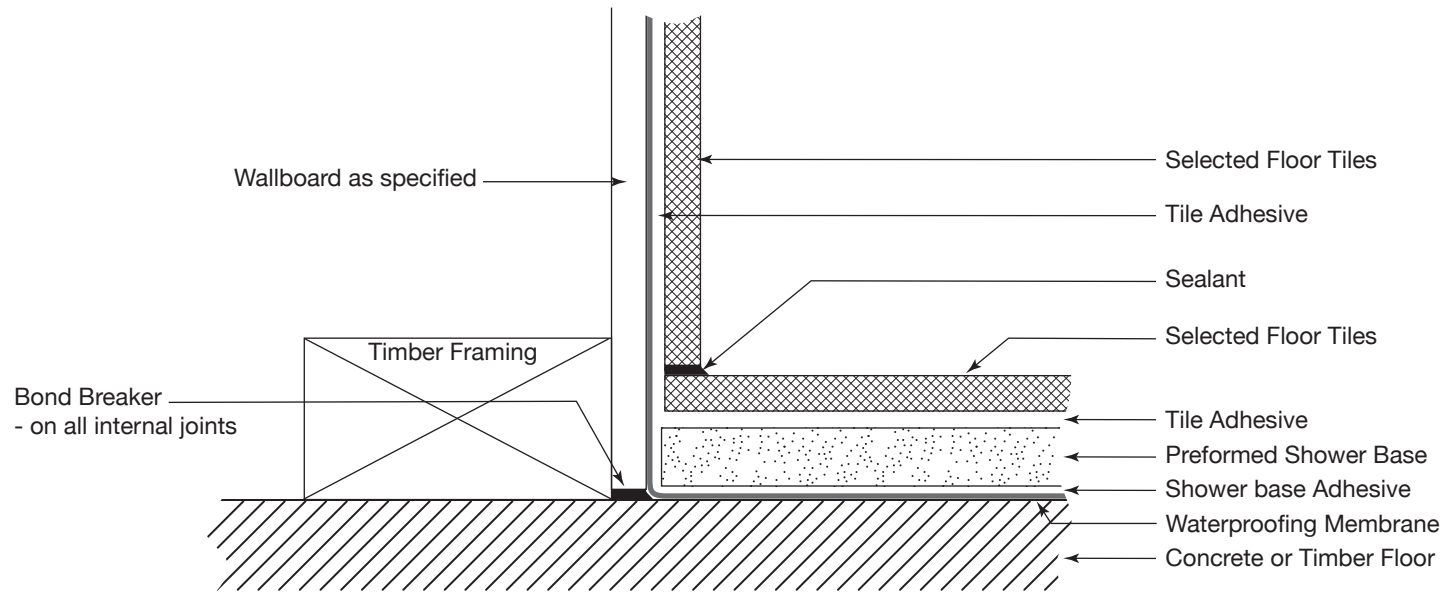


Additional drawings

Contents

- Typical Wall to Floor [D 03]
- Shower Flush Grate - Centre Waste [D 05-1]
- Channel Drain off the Wall Detail [D 08]
- Off the Wall Channel Drain [D10]
- Setup for 80mm Warmup Clamp [D-13]
Waste for Channel Drain



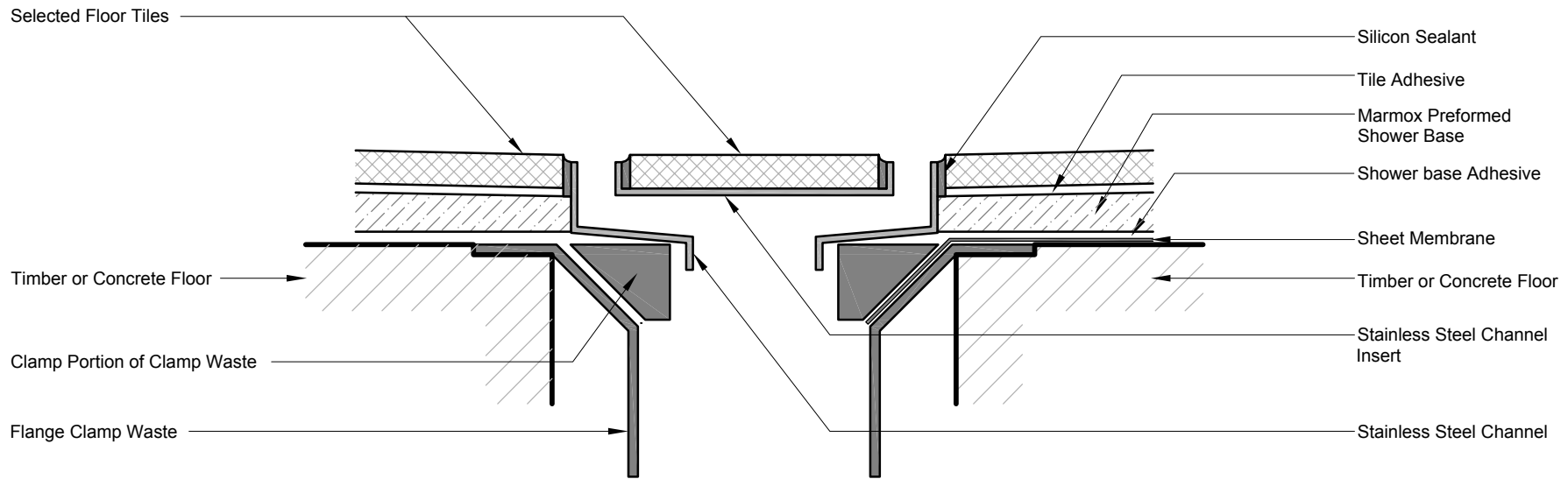
Typical Wall to Floor

1 : 2

Detail

Date: 30/09/2014

D03



1

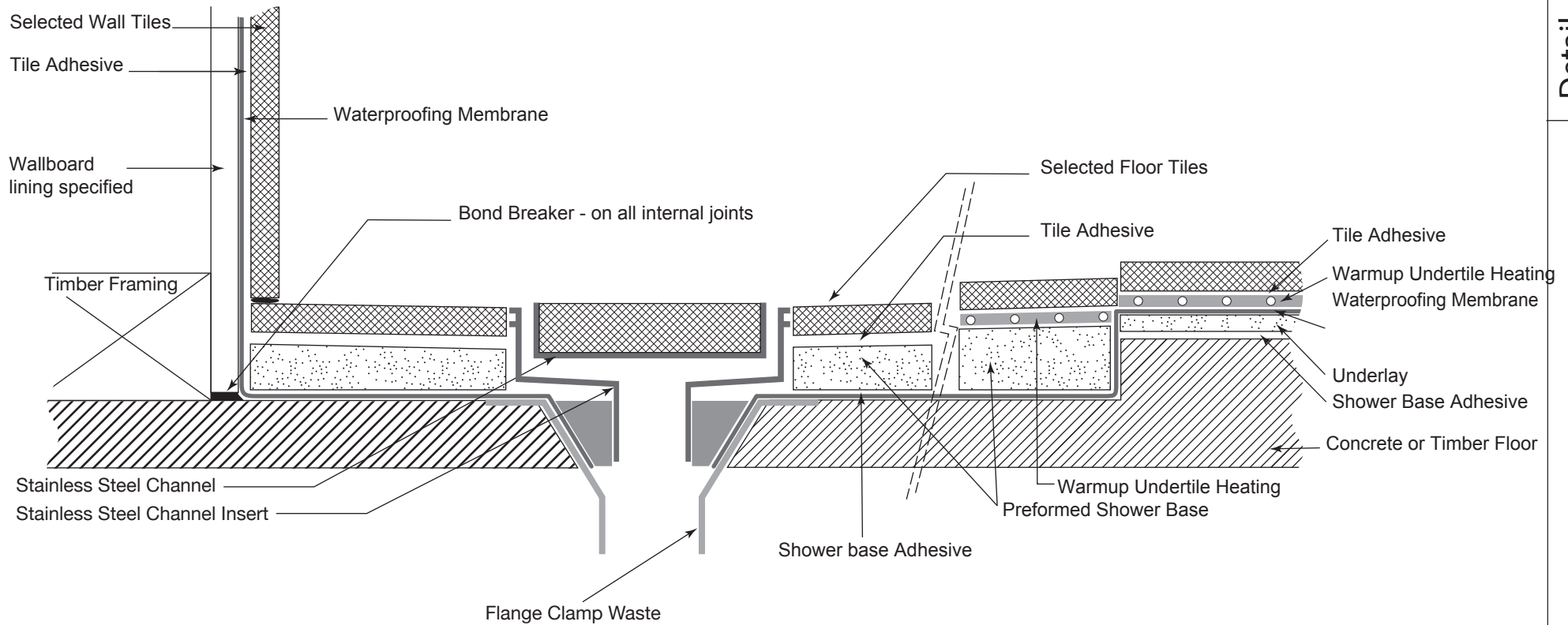
Shower Flush Grate - Centre Waste

SCALE 1:2 © A4

Detail

D 05 - 1

Date: 30/09/2014



Channel drain off the wall detail

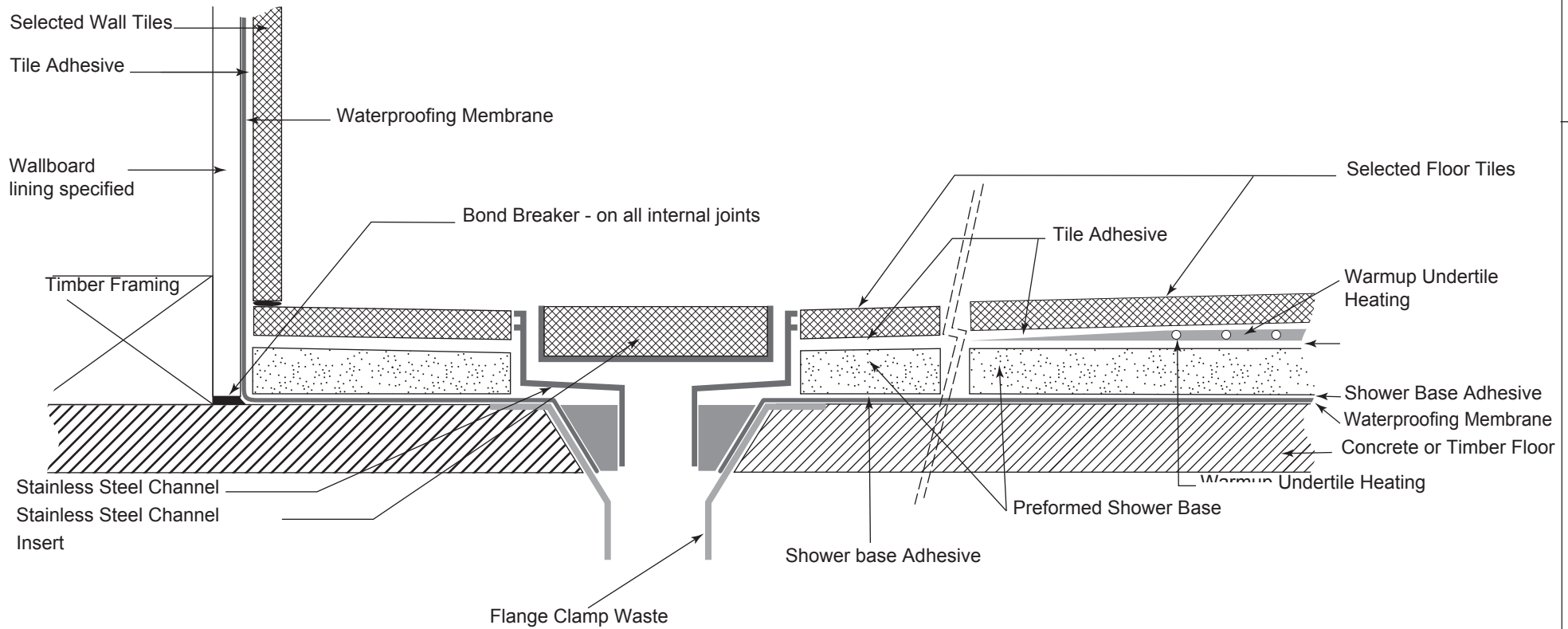
1 : 2

Detail

Scale: 1 : 2

D08

Date: 30/09/2014



Off the Wall Channel Drain

1 : 2

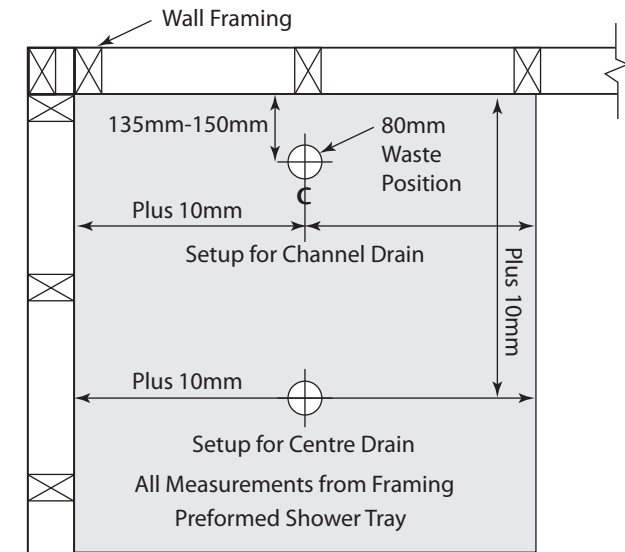
Detail

D10

Date: 30/09/2014

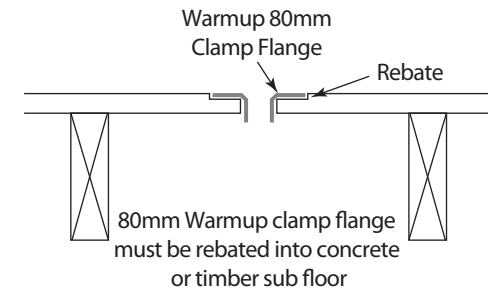
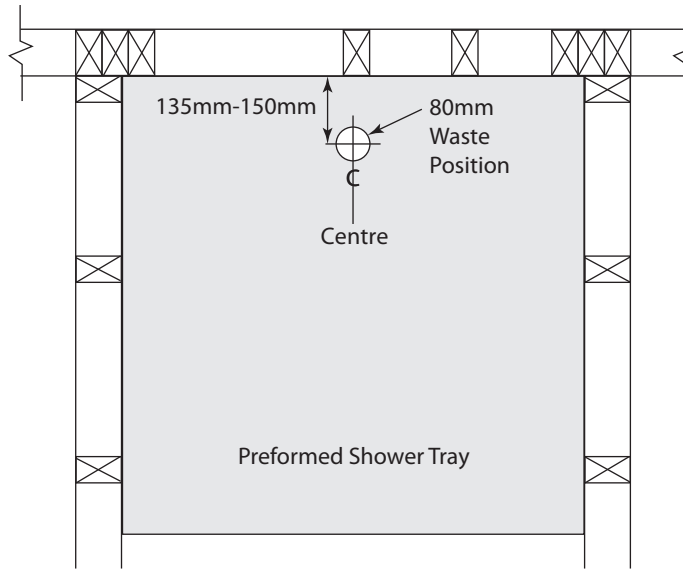
Setup for Gulley Traps

Two Wall



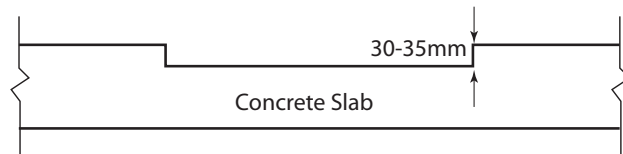
Plumber

Alcove Three Wall



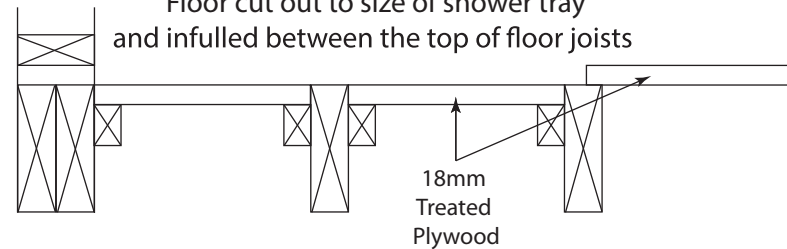
Level Entry Concrete Floor

30-35mm Rebate the size of Shower Tray



Level Entry on Timber Floors

Floor cut out to size of shower tray
and infilled between the top of floor joists



Setup for Level Entry Showers for Builders

1 : 2

For More Information
Please Call 03 3387586