

Jet Selection:

Unequal Pressure Systems

1. If the system is supplied by a pressure pump, ensure that the pump can maintain 300kPa at the cold Inlet. If not, install a low pressure cold feed and install the mixer as if for a low pressure equal system.
2. If the Cold pressure is ABOVE 400kPa, install the mixer without modification (i.e. with red nozzle as factory fitted.)
3. If the Cold pressure is BELOW 400kPa, replace the Red Nozzle with the Blue Nozzle supplied in the carton.
 - a) To remove a nozzle from the mixer body fit a 6mm hex key into the hexagon outlet of the nozzle and turn anti-clockwise until the nozzle comes free of the mixer body.
 - b) Fitting a nozzle is the reverse procedure to removal. The nozzle is in the correct position when approximately 2mm of the nozzle protrudes from the outlet of the mixer. Do not use excessive force when fitting the nozzle, it should turn freely. Screw in until just tight and then unscrew half a turn.

Equal Pressure Systems

Remove and discard nozzle from mixer.

Care and Cleaning:

Never use abrasives or abrasive cleaning agents to clean this product. Clean regularly with contamination free warm soapy water and a damp soft cloth.

Methven warrants this product against manufacturing defects and that it is suitable for use under the general operating conditions specified in this instruction sheet. However, regional regulations apply and may affect your warranty. Please refer to www.methven.com or call customer service for full details.

New Zealand
0800 804 222

Australia
1300 638 483

UK
0800 195 1602

435920

ISSUE B

AIO SHOWER MIXER WITH FASTFLOW Installation Guide

Technical Specifications:

Operating Pressure:

Unequal Pressure:

Hot: Min 35kPa

Cold: Min 300kPa

Equal Pressure:

Min 35kPa

If supply exceeds 500kPa a pressure limiting valve must be installed.

Operating Temperature:

Hot: Min 55°C (at mixer), Max 80°C

Cold: Min 5°C

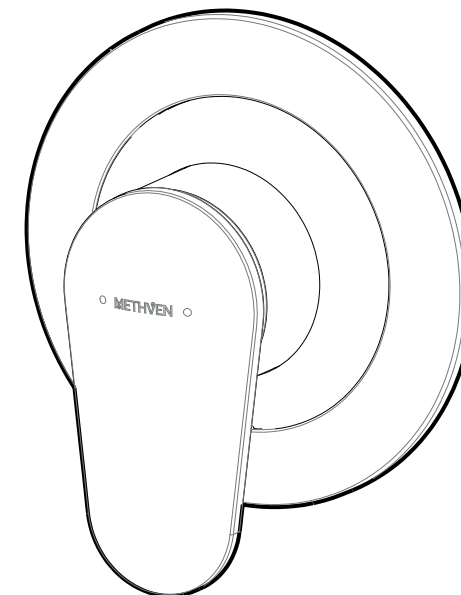
Inlet Connections:

All ½" BSP

** Regional specific regulations apply.*

Please refer to your warranty statement at

www.methven.com

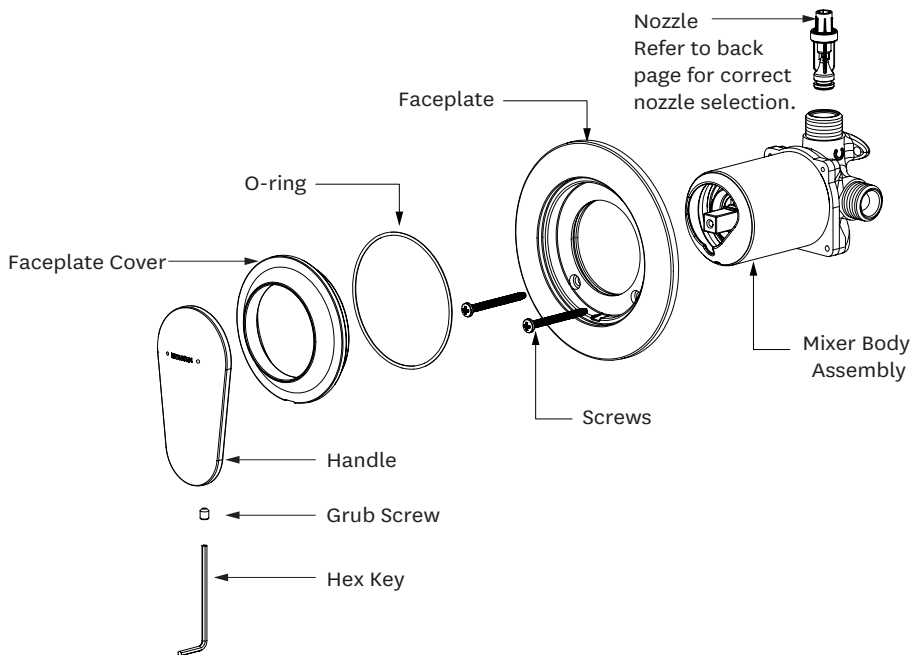


METHVEN
www.methven.com

IMPORTANT: Please read all of the instructions before installation.

General:

- Methven recommends this product is installed by a licensed plumber in compliance with all relevant regional regulations.
- Do not hydrostatic test the installation with this mixer installed. Damage to the ceramic cartridge may occur.
- All pipe work must be thoroughly flushed prior to the installation of the mixer.
- In-line filters must be fitted on both hot and cold supplies to prevent foreign particles damaging the ceramic cartridge.
- Do not remove the ceramic cartridge from the mixer when installing.
- After installation all connections must be checked for leaks.
- All outlets used primarily for personal hygiene shall deliver water at a safe temperature as per regional regulations.
- This mixer is not recommended for use in uncontrolled heating systems such as wet-backs or solar heating units unless a suitable tempering valve is fitted.
- It is the responsibility of the installer to ensure a waterproof seal is achieved between the product and mounting surface. If in doubt about the quality of the seal, remove the product and reinstall using silicone to ensure a seal is achieved.

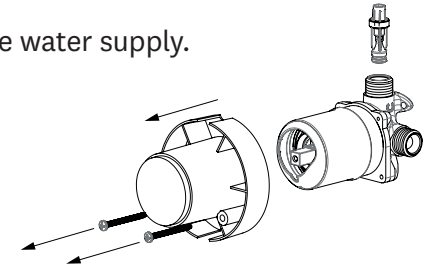


IMPORTANT: Before you begin, turn off the water supply.

Step 1

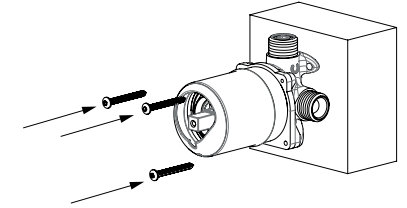
- Remove plastic cover. Do not discard the screws.

Refer to back page for correct nozzle selection.



Step 2

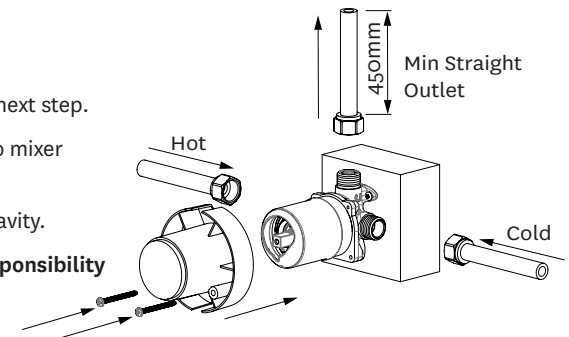
- Secure the mixer body to the supporting timber ensuring that it is oriented square and vertical.



Step 3

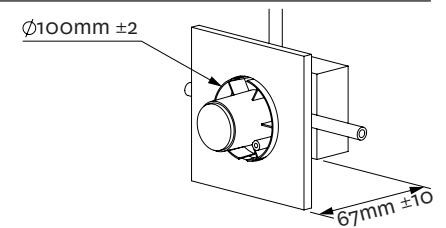
- Re-fit the plastic cover to the mixer body.
- Flush all pipe-work thoroughly prior to the next step.
- Connect hot and cold supplies and outlet to mixer body ensuring a good seal at each joint.
- Leak test installation prior to closing wall cavity.

The seal integrity of pipe joints are the responsibility of the installing plumber.



Step 4

- Wall lining hole should be cut or finished as per the dimension shown in the diagram on the right.
- Optimum distance from mounting surface to finished wall surface = 67mm ± 10



Step 5

- Remove plastic cover.
- Slide faceplate onto mixer body, and position faceplate with notch towards the bottom.
- Fasten faceplate to the mixer body with screws provided.
- Stretch o-ring over lip on faceplate cover. Do not roll o-ring as this may cause assembly issues. Slide assembly onto mixer body and press into faceplate recess.
- Push handle on to cartridge lever, and tighten grub screw firmly with hex key provided.

