



Synchronisation for Quadro full extension runners
with Push to open:
Perfect access without handle

Technik für Möbel


Hettich



Intuitive user convenience for purist furniture design:

Quadro drawer runners with Push to open gently open handleless wooden drawers as well as the InnoTech and InnoTech Atira drawer systems in response to a light press on the front panel. To permit activation of large drawers from anywhere on the front panel, the Quadro full extension runners are factory configured for installing synchronisation.

An optional, easily clipped in synchronisation bar with fitted adapters ensures that the opening mechanisms of both runners are activated in synchrony. This provides an effective way of combining on trend handleless, large format furniture design with practical convenience.



Quadro drawer runners:
Precision engineered for strength



Push to open:
The perfect solution for opening handleless fronts



For InnoTech Atira:
Synchronised Push to open for a high level of opening convenience



Wide wooden drawers:
Push to open synchronisation without the need for any additional installation space

Synchronisation for Quadro full extension runners with Push to open

► Summary



Benefits at a glance

4 - 5



Synchronisation for Quadro full extension runners can be used with InnoTech Atira drawer systems

6 - 7



Synchronisation for Quadro full extension runners with Push to open can be used with wooden drawers

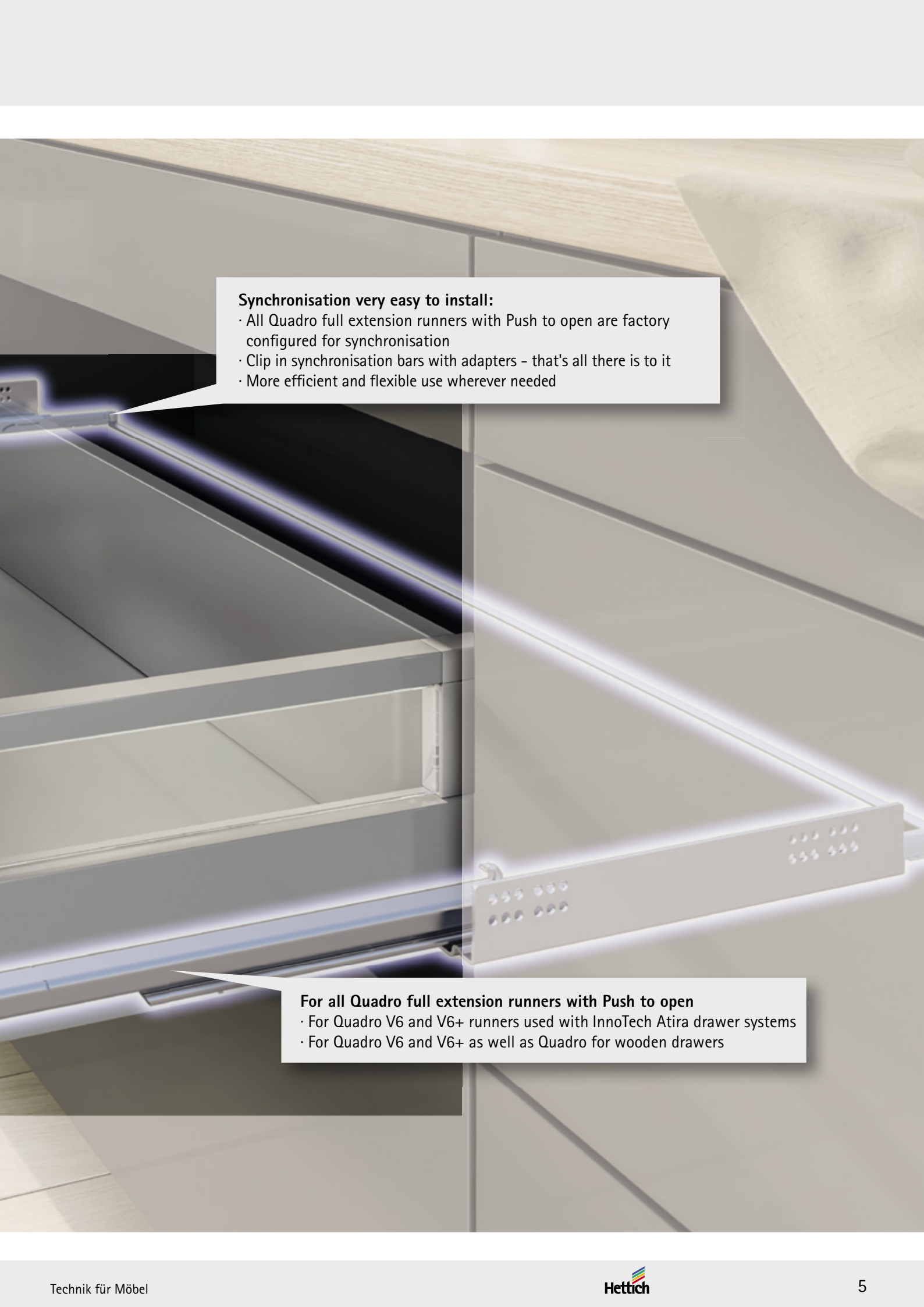
8 - 9

Benefits at a glance:

Synchronisation for Quadro full extension runners with Push to open

Superbly designed and convenient

- Reliably opening handleless drawers
- All it takes is a light press anywhere on a large part of the front panel
- The opening mechanisms of both runners are activated in synchrony



Synchronisation very easy to install:

- All Quadro full extension runners with Push to open are factory configured for synchronisation
- Clip in synchronisation bars with adapters - that's all there is to it
- More efficient and flexible use wherever needed

For all Quadro full extension runners with Push to open

- For Quadro V6 and V6+ runners used with InnoTech Atira drawer systems
- For Quadro V6 and V6+ as well as Quadro for wooden drawers

InnoTech Aтира double walled drawer system

- ▶ Accessories
- ▶ Synchronisation for Quadro V6 / V6+ with Push to open

Synchronisation for Quadro Push to open



- ▶ Use recommended on carcasses in a width of 600 mm and over
- ▶ For nominal lengths of 260 - 620 mm
- ▶ Synchronisation bar for cutting to length, up to max. carcass width of 2000 mm, can be extended with connector
- ▶ Cannot be used with Quadro partial extension runners

The following items are required for use:

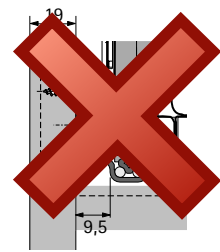
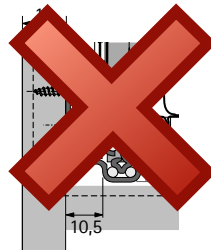
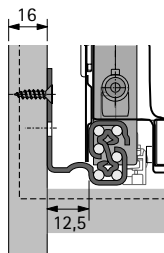
- ▶ 1 synchronisation bar
- ▶ 2 adapters
- ▶ Waste can be minimised using the connector

Article	Order no.	PU
1 Push to open synchronisation bar	9 236 718	1/100 ea.
2 Push to open Synchro adapter, type A	9 219 966	1/200 ea.
3 Push to open Synchro connector	9 221 295	1/20 ea.
4 Push to open Synchro adapter, type B	9 219 965	1/200 ea.

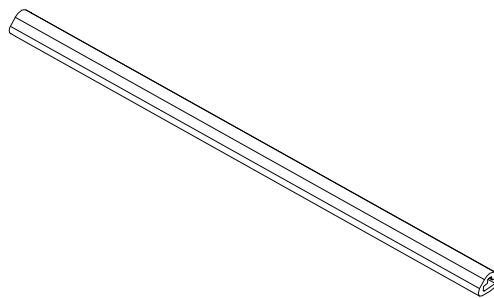
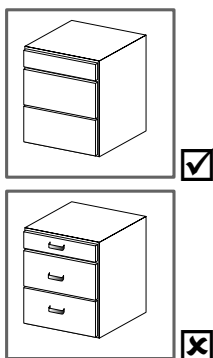
Quadro installed width

With various Quadro installed widths (EB) to choose from, it is possible to work with different carcass side panel thicknesses (KD) – without having to change the drawer dimensions. The following dimensions apply:

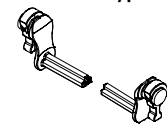
KD mm	16	18	20
EB mm	12,5	10,5	9,5



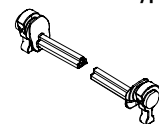
Push to open with optional synchronisation



Quadro V6 type B



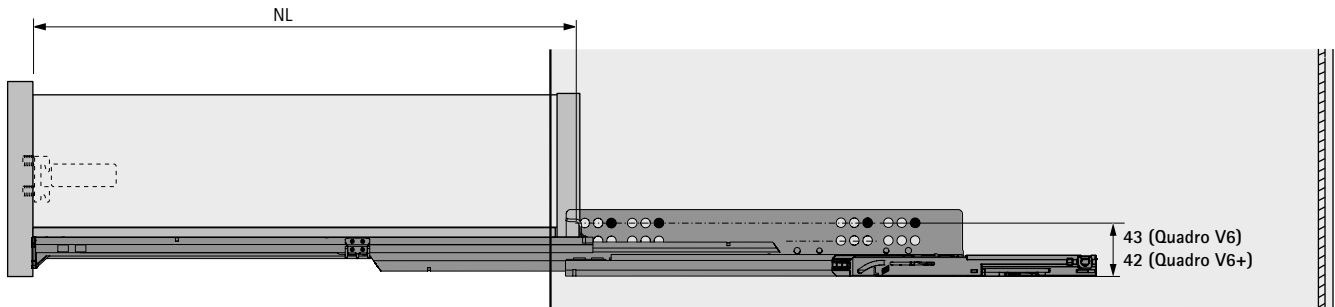
Quadro V6+ type A



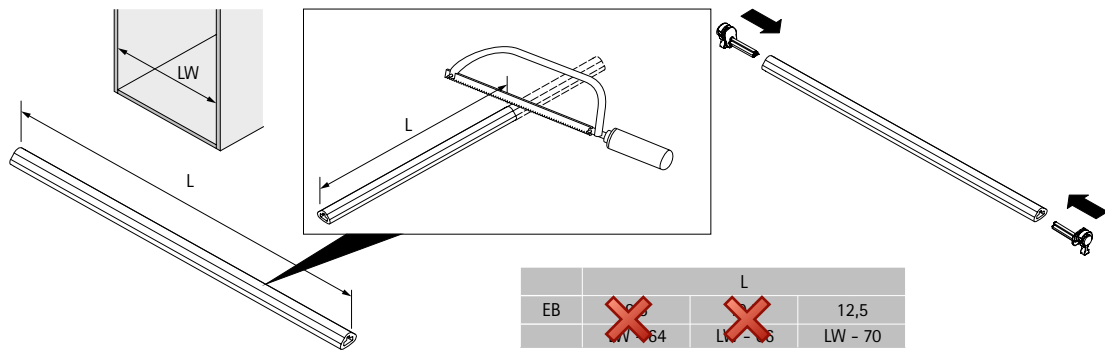
InnoTech Atira double walled drawer system

- ▶ Accessories
- ▶ Synchronisation for Quadro V6 / V6+ with Push to open

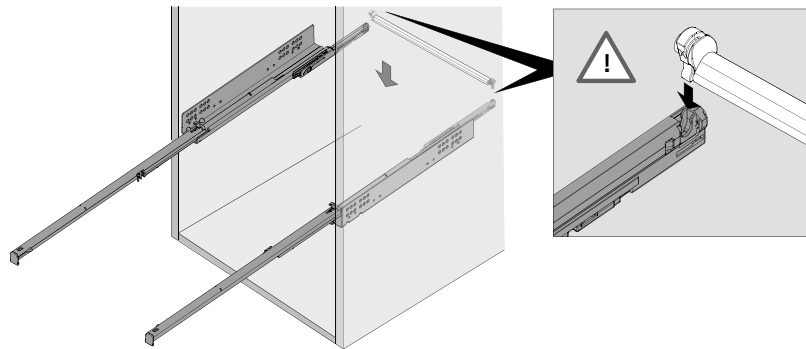
Lengthwise cross-section



Dimensions for cutting to size



Installation



Quadro for wooden drawers

- ▶ Accessories
- ▶ Synchronisation for Quadro V6 / V6+ with Push to open

Synchronisation for Quadro Push to open



- ▶ Use recommended on carcasses in a width of 600 mm and over
- ▶ For nominal lengths of 250 - 600 mm
- ▶ Synchronisation bar for cutting to length, up to max. carcass width of 2000 mm, can be extended with connector
- ▶ Cannot be used with Quadro partial extension runners

The following items are required for use:

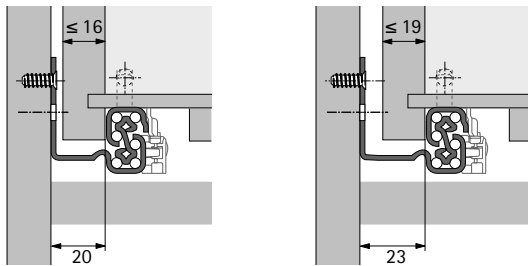
- ▶ 1 synchronisation bar
- ▶ 2 adapters
- ▶ Waste can be minimised using the connector

Article	Order no.	PU
1 Push to open synchronisation bar	9 236 718	1/100 ea.
2 Push to open Synchro adapter, type A	9 219 966	1/200 ea.
3 Push to open Synchro connector	9 221 295	1/20 ea.

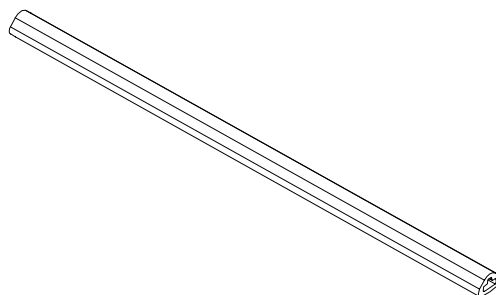
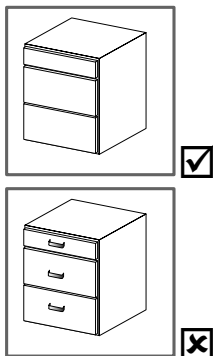
Quadro installed width

With various Quadro installed widths (EB) to choose from, it is possible to work with different (SD) drawer side panel thicknesses. The following dimensions apply:

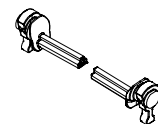
SD mm	≤ 16	≤ 19
EB mm	20	23



Push to open with optional synchronisation

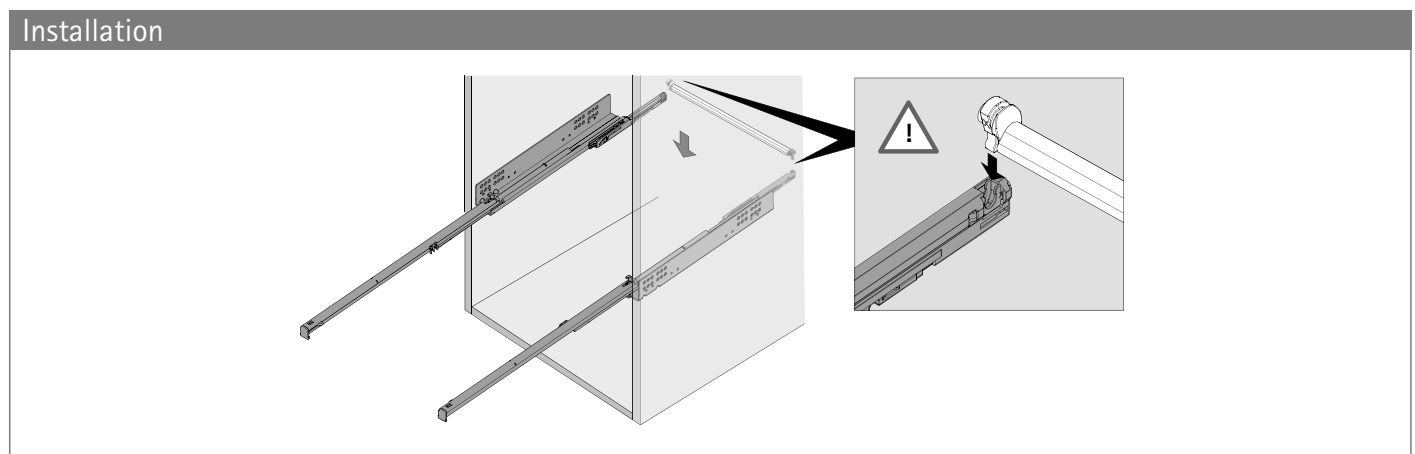
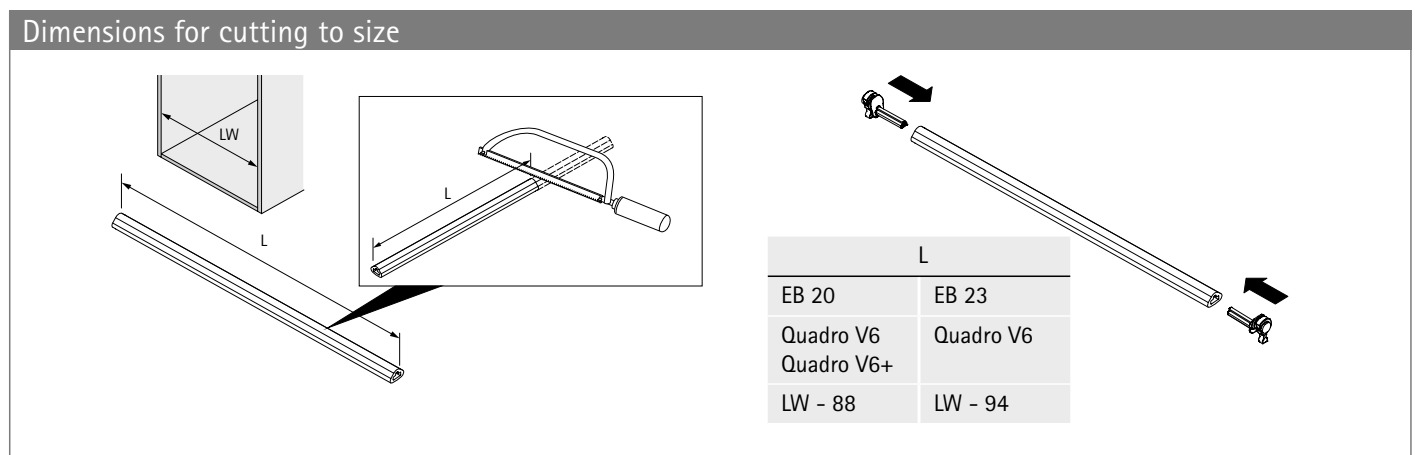
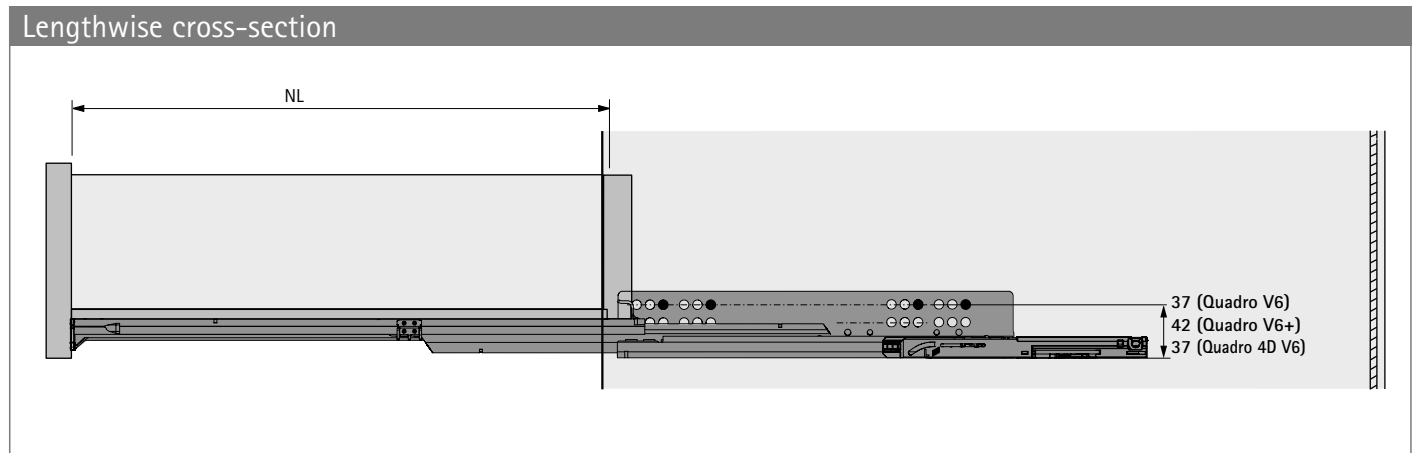


Quadro V6 type A
 Quadro V6+ type A
 Quadro 4D V6 type A



Quadro for wooden drawers

- ▶ Accessories
- ▶ Synchronisation for Quadro V6 / V6+ with Push to open



Hettich and the environment: committed to responsible practice, active protection, innovative thinking.



Hettich takes a responsibility for the world we live in. This awareness defines the strict policy of environmental management that we practise. Our environmental officer has taken personal responsibility for these aspects throughout the group of companies over a period of many years. In addition, a separate environment committee has been established for each production site. We regard statutory provisions as minimum requirements. At significant sites we also implement the stringent EMAS Regulation. And we drive forward developments that in future will help to save even more raw materials and support the necessary endeavours towards sustainability.

Hettich environmental management

In 1996 Hettich started introducing effective environmental management systems under the stringent EMAS Regulation (currently: EC Regulation No. 761/2001, including EN ISO 14.001/2004). This not only enables us

to improve our environmental performance on a broad front but also to achieve a high level of safety which, not least, also benefits our customers. This is why we also require our suppliers to meet the necessary minimum standards of environmental protection, industrial safety, health care and social welfare.

The results achieved in the drawer runner and drawer system product segment at the Kirchleugern operation in Germany illustrate the impressive effects these measures have and verifiably demonstrate our tireless endeavours to translate words into action:

Relief to the environment between 1997 and 2008:

Specific water consumption:	56 percent
Specific power consumption:	21 percent
Specific heat consumption:	84 percent
Specific CO ₂ emissions:	29 percent



Hettich standard for product materials

Hettich underpins its commitment by applying an internal standard for product materials. This ensures that every product – from production to disposal – satisfies all environmental requirements. Hettich products are durable. Appropriately foresighted, our rigorous standards are formulated to ensure that international legislation is also met. This provides a reliable basis for marketing furniture worldwide.

Zero energy building – Hettich Forum

The Hettich Forum building with its neutral energy balance is a shining example of future-proof building design. Photovoltaic panels and solar collection system providing hot water as well as extensive roof greening and use of

rain water underscore this building's overall sustainability concept in just the same way as the broad use of cellulose insulation material from recycled newspapers, highly efficient heat recovery and the bulb-free lighting concept do.

With the Hettich group of companies having acquired European Commission GreenBuilding Partner status on 5 March 2009, the comprehensive approach demonstrated by the Hettich Forum has also convinced the adjudicating panel of the national "Green Building Award 2009". Hettich received the first prize to be presented in the "New Building" category.

Technik für Möbel



www.hettich.com

Order no.: 9 240 670
1706-024_P20_Synchro_0617_HAU_NZL/en

Hettich Australia

1 Herbert Place
Smithfield 2164, Sydney

Free Phone: 1800 687 789
Fax: (02) 9616 7778
Free Fax: 1800 150 129
support@hettich.com.au
hettich.com.au
Online catalogue - hettich.com.au/ecat

Hettich New Zealand

18 Barmac Place
East Tamaki, Auckland

Phone: (64) 9274 4036
Free Phone: 0800 HETTICH
Fax: (64) 9274 8177
Free Fax: 0800 737 847
sales_nz@hettich.co.nz
hettich.co.nz
Online catalogue - hettich.co.nz/ecat

Technik für Möbel


Hettich