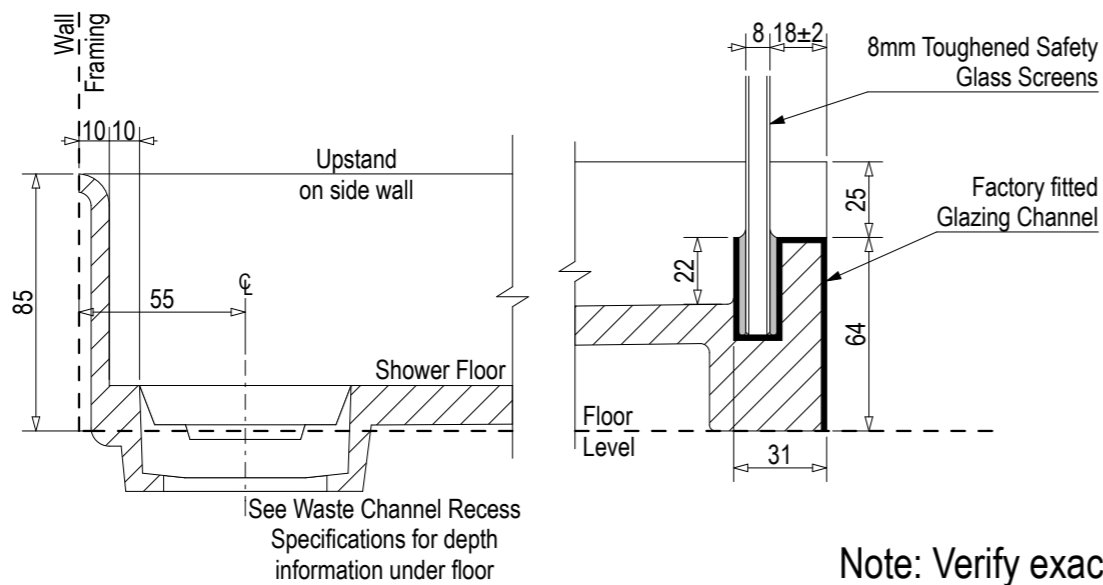
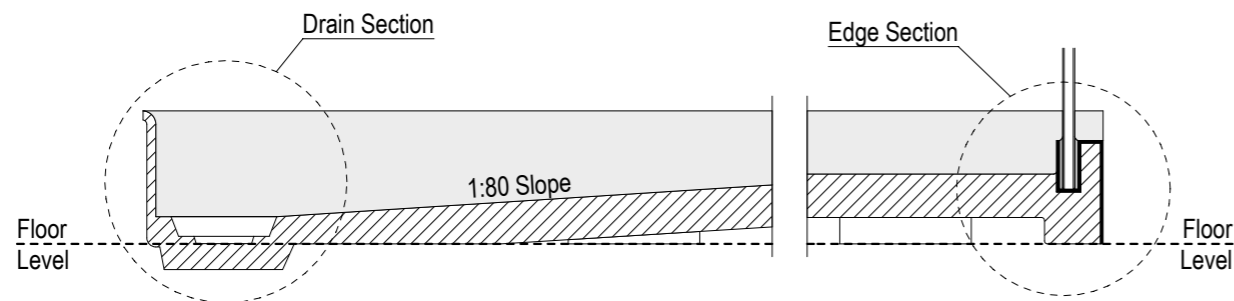
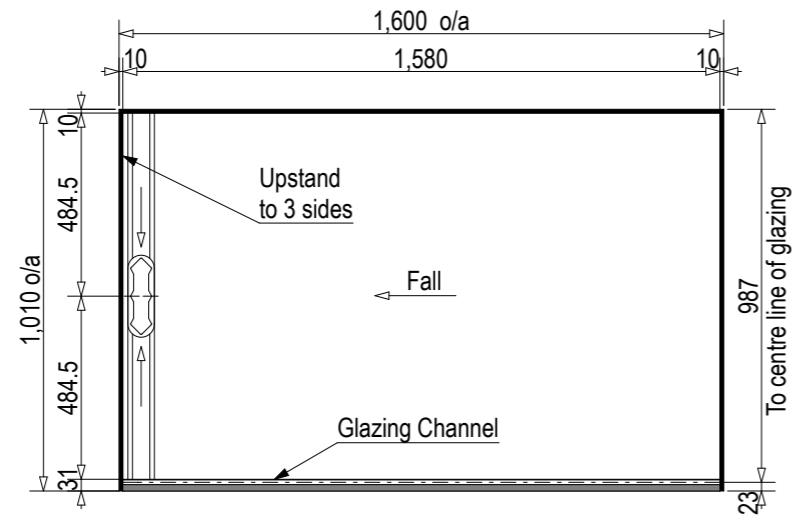


Note: Drain position central unless dimensioned otherwise

Step Entry

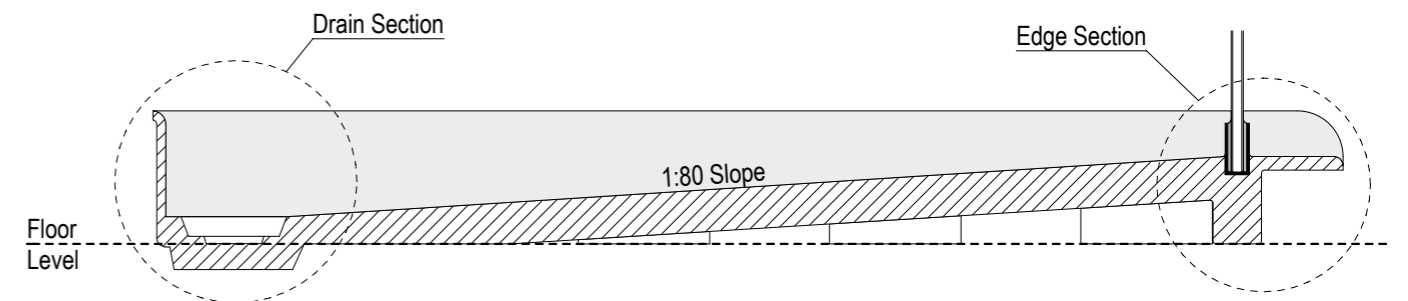
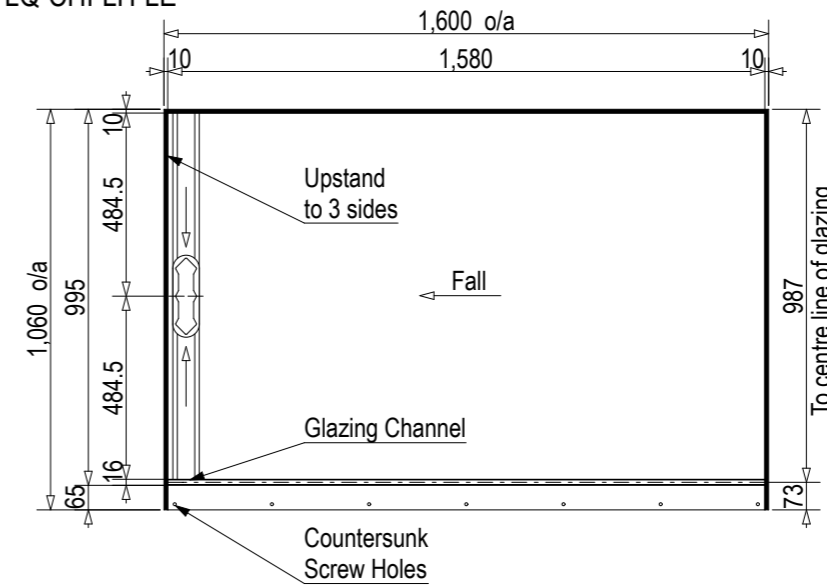
SKU: LQ-CHI-LH-ST



See Waste Channel Recess Specifications for depth information under floor

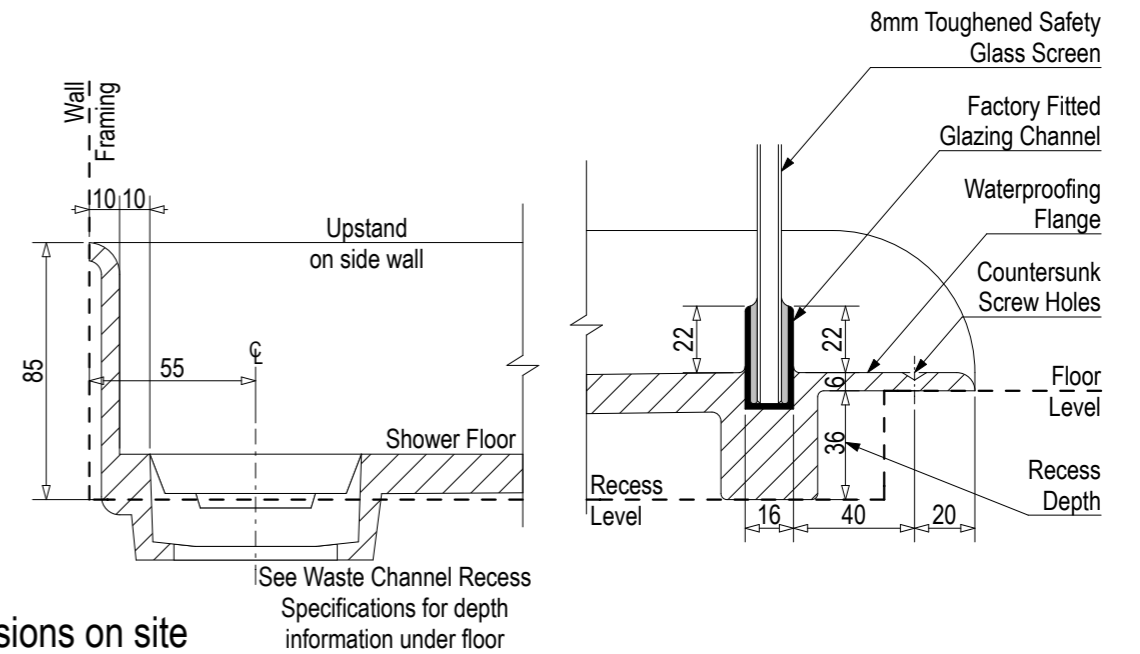
Level Entry

SKU: LQ-CHI-LH-LE



See Waste Channel Recess Specifications for size

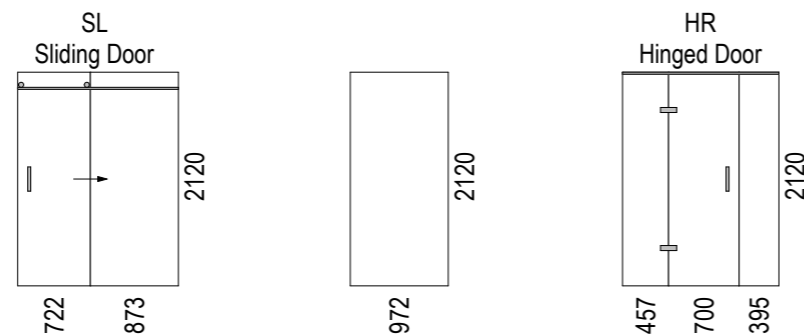
Floor Recess 1600x1040x36



See Waste Channel Recess Specifications for depth information under floor

Note: Verify exact shower base dimensions on site

Screen Options:



All 3 Wall Screens are reversible

For more product information go to:

www.atlantis.co.nz/shop/linea-quattro/chicago-1600x1000/

For installation instructions go to:

www.atlantis.co.nz/trade/installation/

AQUAPLANE WASTE FITTING

- EasyClean Waste with in-built trap
- 50L/min ultra flow rate
- Removable fin for easy cleaning
- 40/50mm outlet with swivel fitting
- Components bolt together for guaranteed watertightness











