

EBONY & IVORY



BASE AND WASTE FITTING INSTRUCTIONS – DIRECT FLOW WASTE

Included in this package:

- | | | |
|-----|--|---|
| 1 x | E&I Direct Flow Waste | <input type="checkbox"/> |
| 2 x | Sturdi Bond construction adhesive | <input type="checkbox"/> <input type="checkbox"/> |
| 1 x | White Silicone | <input type="checkbox"/> |
| 1 x | Quick Start Guide | <input type="checkbox"/> |
| 1 x | Base fitting instructions (this booklet) | <input type="checkbox"/> |

Other equipment required

- Broom
- Accurate level
- Adhesive application / caulking gun
- Pozi screwdriver
- Tape measure
- Levelling compound and associated equipment (only required for shower base being installed into a concrete recess)

OPTIONAL EXTRA

ADDITIONAL ITEMS INCLUDED WITH ESSENTIAL CONNECTIONS:

The Essential Connections Kit is an additional Butyl Tapes Kit that can be purchased as an optional way of forming a connection between the shower base and surrounding substrates.
If you have not received this kit, but do require it, please contact your plumbing merchant to arrange purchase.

Included in this package:

- | | | |
|-----|--|---|
| 2 x | Wall Reinforcement Band (150 x 2000) | <input type="checkbox"/> <input type="checkbox"/> |
| 1 x | Primer 100ml | <input type="checkbox"/> |
| 1 x | Essential Connection Instructions (attached) | <input type="checkbox"/> |

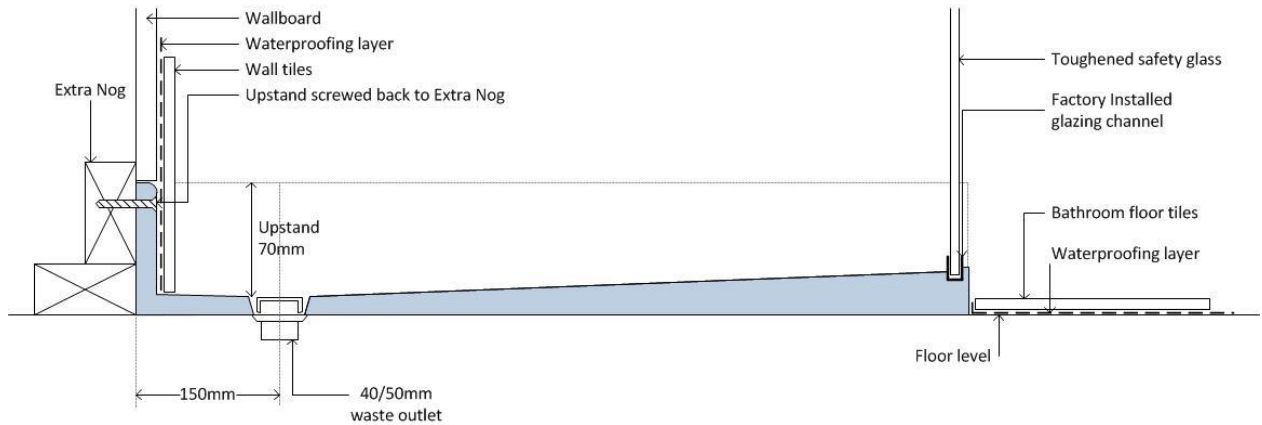
The installation process requires the waste fitting to be installed at the same time as the base.

Atlantis recommends this is undertaken by a qualified plumber and carpenter.

Atlantis showers are supplied with sturdibond to adhere the base to the floor substate. It is recommended that Gorilla Grip is used if the temperature drops below 5 degrees.

Ebony & Ivory shower base profile – step entry on an existing floor

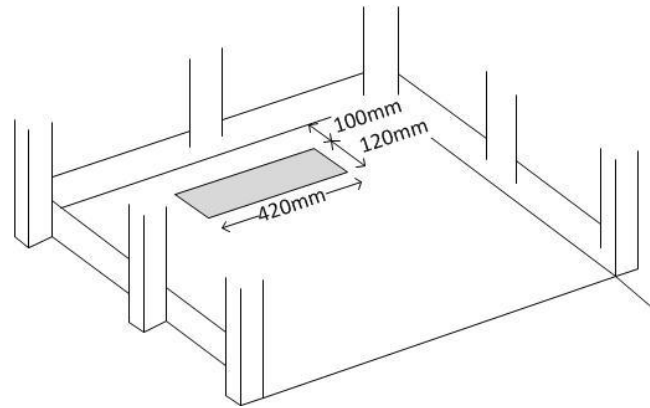
(NOT TO SCALE)



FLOOR PREPARATION – on any floor type

1. Sweep floor free of dust
2. Provide a hole for the waste fitting to a minimum size of 120mm x 420mm, FIGURE 1, 100mm out from the stud wall and in the correct position to suit the shower base.
3. Dry fit the shower base onto the flooring to ensure it is able to be installed level. The top of the glazing channel(s) and top edges of the upstands must be level. The floor of the shower base must slope towards the drain. It is the responsibility of the installer to:
 - Ensure the shower base has been installed level, and
 - Ensure that the shower base drains sufficiently before the shower base is adhered to the floor.

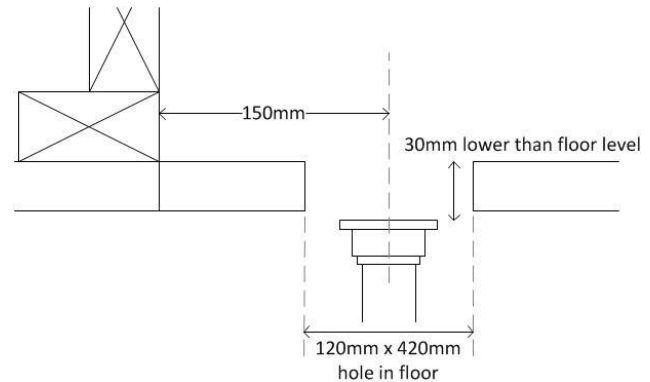
FIGURE 1



WASTE PREPARATION

4. Separate the components of the waste into:
 - A. the waste body
 - B. the hair grill and top plate
5. Connect the waste body to the pipework, FIGURE 2, ensuring that the body seal is in the correct position and 30mm below the floor level, as in FIGURE 2.

FIGURE 2



BASE INSTALLATION

6. Clear floor of all debris and dust
7. Apply supplied construction adhesive liberally to the ridge of the grid pattern and the shower base perimeter.
8. Install base in final position, ensuring that it is level (as per instruction # 3)
9. The inside face of the upstand must be close to flush with the inside face of the wall board.
10. Screw the upstand of the shower base back to the extra noggings.
11. Allow suitable time for the base adhesive to cure. Leave the protective film over the shower base and the protective tape around the perimeter of the base.

WASTE CONNECTION

12. Insert the inner ring through the waste outlet in the shower base and screw the inner ring into the waste body. Hand tighten using the installation key.
13. Place the hair grill into position within the inner ring.

IMPORTANT NOTES

- The wall glazing channels must be fitted to the wall after waterproofing, prior to tiling.