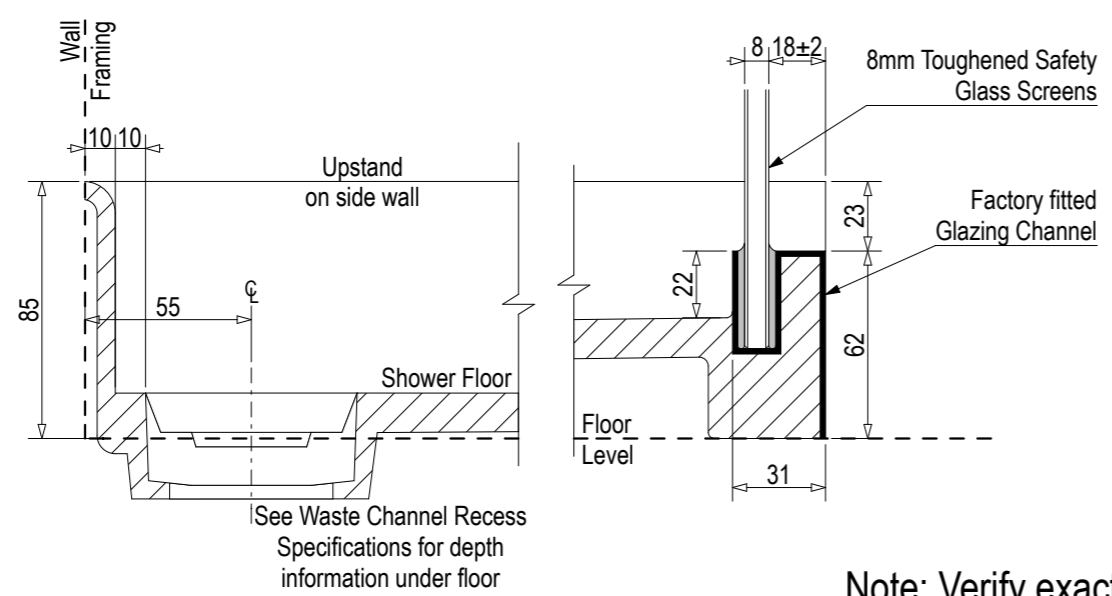
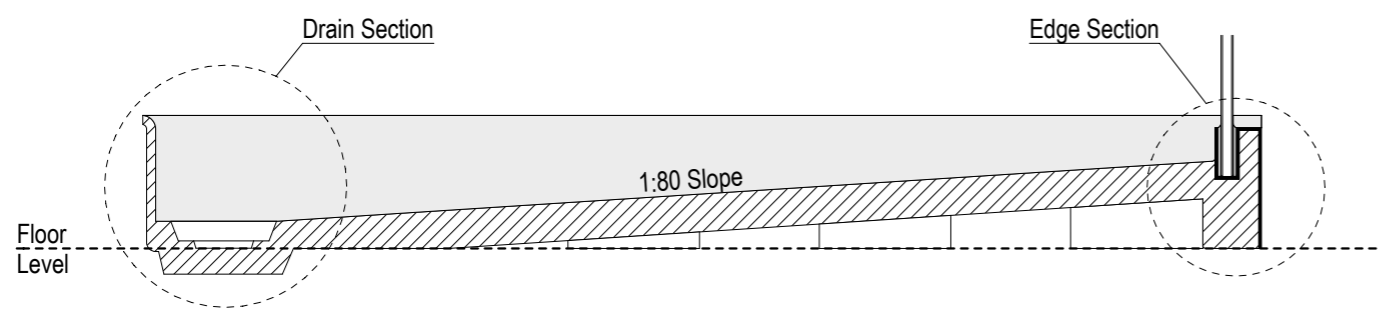
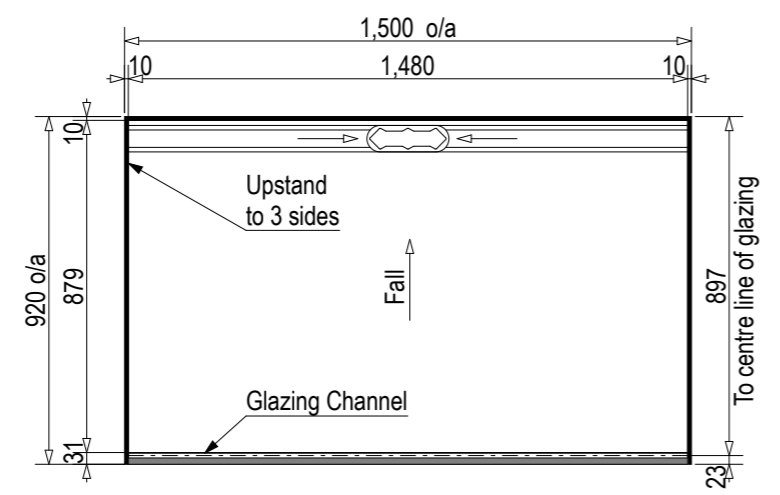


Note: Drain position central unless dimensioned otherwise

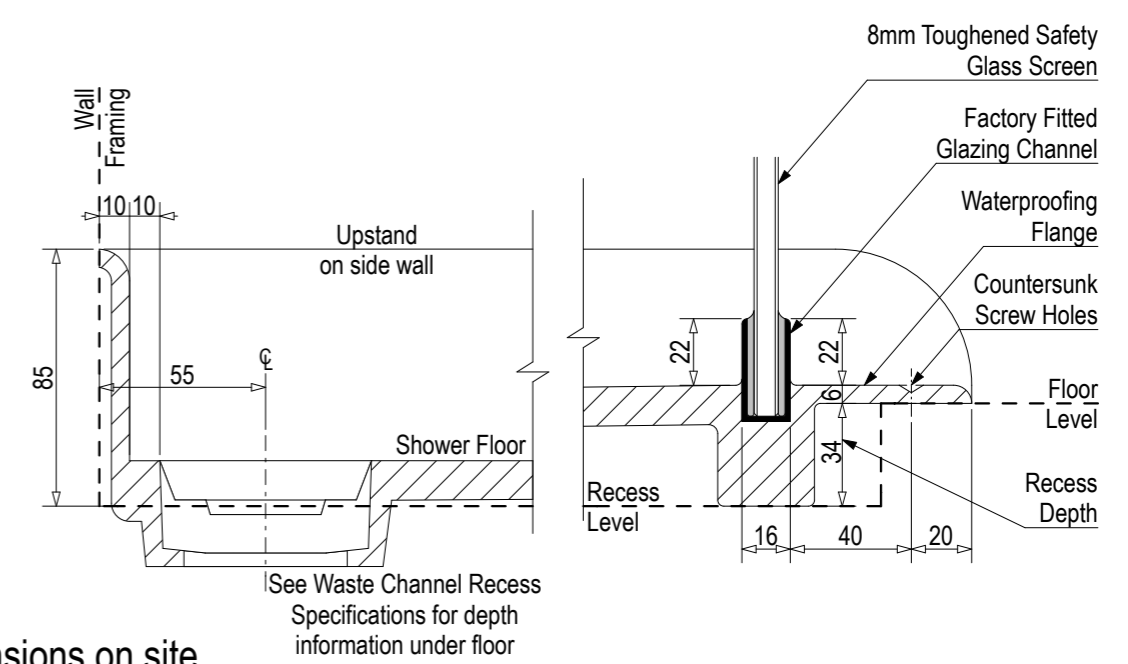
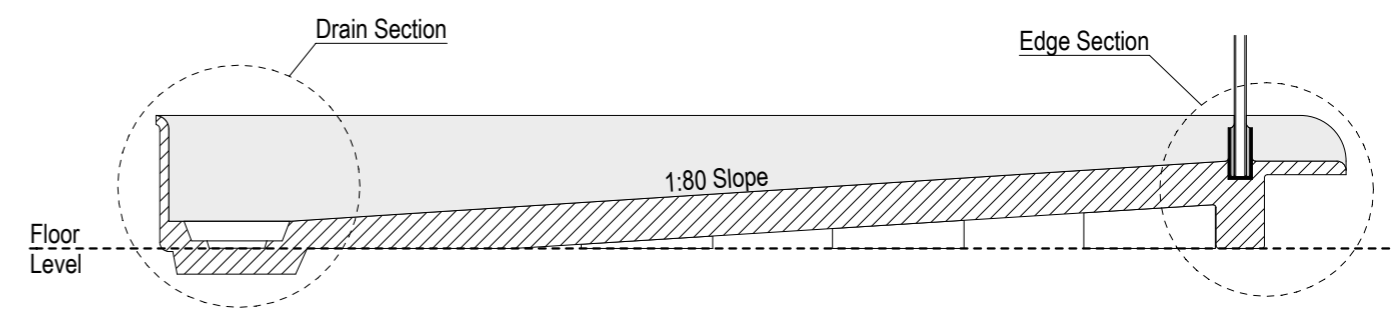
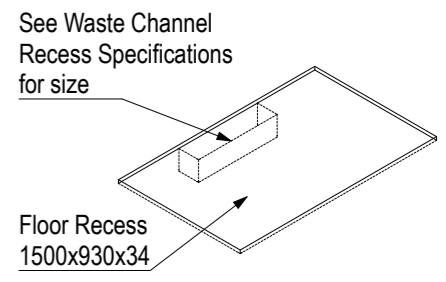
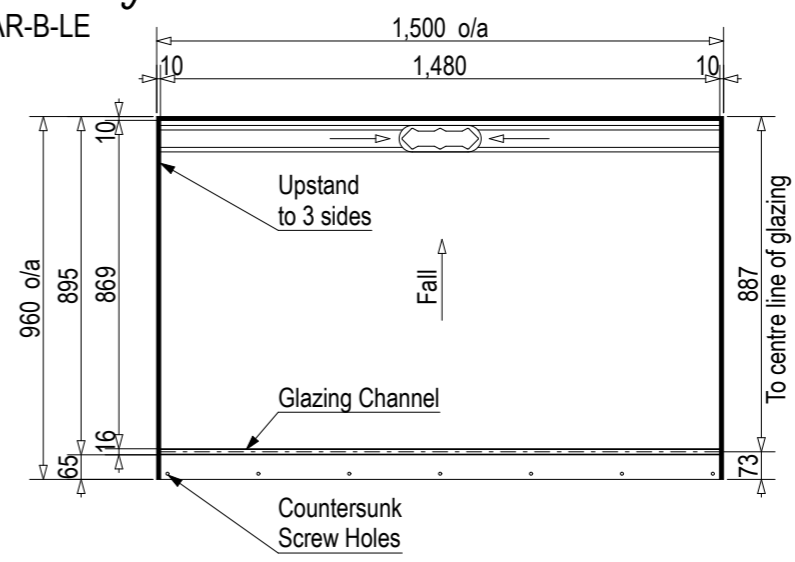
Step Entry

SKU: LQ-BAR-B-ST



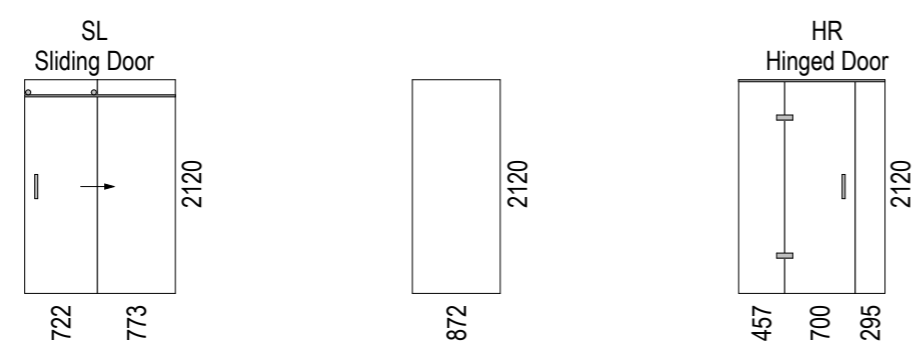
Level Entry

SKU: LQ-BAR-B-LE



Note: Verify exact shower base dimensions on site

Screen Options:



All 3 Wall Screens are reversible

For more product information go to:
www.atlantis.co.nz/shop/linea-quattro/barcelona-1500x900/

For installation instructions go to:
www.atlantis.co.nz/trade/installation/

AQUAPLANE WASTE FITTING

- EasyClean Waste with in-built trap
- 50L/min ultra flow rate
- Removable fin for easy cleaning
- 40/50mm outlet with swivel fitting
- Components bolt together for guaranteed watertightness











