

BRENNER

TILEABLE & PREFINISHED SHOWERS

BFK-BR-HF

Included in this package:			
1 x	WASTE-ABS-HF –AquaPlane Hiflow waste	<input type="checkbox"/>	1 x Base fitting instructions (this booklet) <input type="checkbox"/>
2 x	STURDIBOND	<input type="checkbox"/> <input type="checkbox"/>	
1 x	White NG Silicone	<input type="checkbox"/>	

Other equipment required

- Broom
- Accurate level
- Tape measure
- Adhesive application /caulking gun
- Levelling compound and associated equipment (if floor is out of level)

The installation process requires the waste fitting to be installed at the same time as the base.

It is recommended that this is undertaken by a qualified plumber and carpenter.

***Tileable Base: The wall glazing channels must be fitted to the wall after waterproofing,
PRIOR TO TILING***

Once Wall Channels have been installed walls are to be tiled. Glass Screens are to be installed as per screen fitting instructions.

The surface of the Brenner shower base may be left with a gloss white Acrylic pre-finished surface, alternatively the base may be tiled.

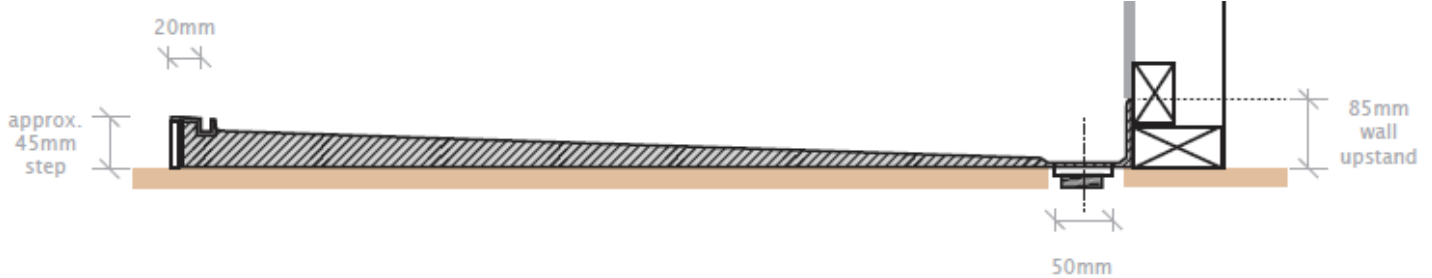
GLOSS WHITE ACRYLIC FINISH – The acrylic shower base must be protected at all times to ensure the surface of the base is not damaged.

TILED SHOWER BASE – Prior to tiling the acrylic surface of this shower base must be sanded to achieve adequate adhesion. The base must be sanded in a North, South, East, West direction. For a list of compatible tile adhesives visit www.atlantis.net.nz/trade/tiling

All shower bases are inspected before leaving the factory, any damage on the tray will be the responsibility of the shower installer / owner.

BASE AND WASTE FITTING INSTRUCTIONS

FIGURE 1 - Brenner – base profile diagram



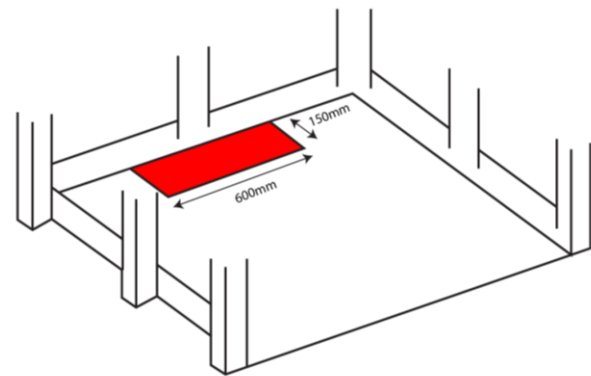
FLOOR PREPARATION – on any floor type

1. Sweep floor free of dust. Check the floor is level over the entire area where the shower base is to be fitted. If the floor is not flat or level, use levelling compound to rectify.
2. Provide a hole for the waste fitting to a minimum size of 250mm x 100mm, **FIGURE 2**, in the correct position to suit the shower base.
3. Allowance must be made for the bulge on the underside of the channel drain either side of the waste outlet.
4. Dry fit the shower base onto the flooring to ensure it is able to be installed level. The top of the glazing channel(s) and top edges of the upstands must be level. The floor of the shower base must slope towards the drain.

NOTE: It is the responsibility of the installer to:

- Ensure the shower base has been installed level, and
- Ensure that the shower base drains sufficiently before the shower base is adhered to the floor.

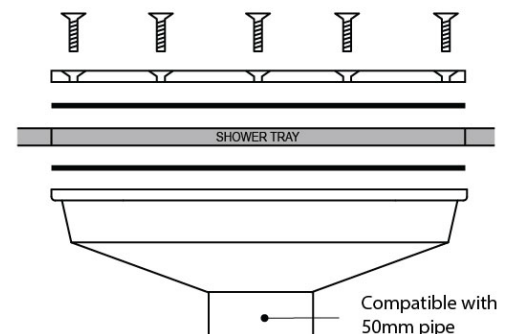
FIGURE 2



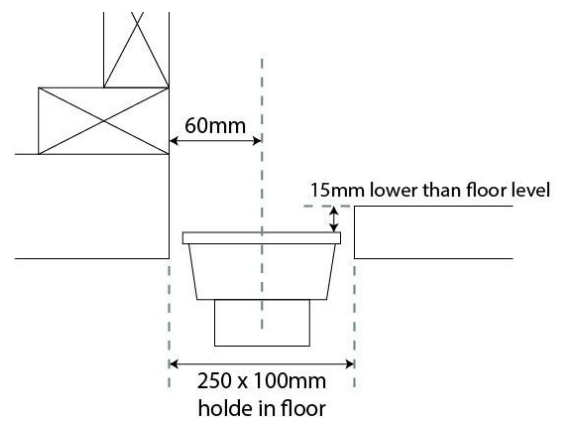
WASTE PREPARATION

5. Separate the components of the waste into:
 - A. the top ring, top seal and 5mm stainless screws
 - B. the waste body and body seal

FIGURE 3



6. Connect the waste body to the pipework, ensuring that the body seal is in the correct position and 15mm below the floor level.
7. Clear floor of all debris and dust
8. Apply Sturdibond liberally to the webbed support rings and the shower base perimeter.
9. Install base in final position, ensuring that it is level (as per instruction # 3)
10. The inside face of the upstand must be flush with the inside face of the wall board, see **FIGURE 1**.



WASTE CONNECTION

11. Place the top seal and top ring in the waste recess of the shower base and screw into the waste body with a phillips hand screw driver (do not overtighten)

IMPORTANT NOTES

- Apply weights entirely over the surface of the base for 4 hours (preferable a 16mm board with heavy weight distributed over the surface of the base). NOTE: cure time may vary depending on installation conditions.
- Leave the protective cover over the shower base, this will ensure that the base is protected while glass screen are being installed.
- The wall glazing channels must be fitted to the wall after waterproofing, prior to tiling.

GLOSS WHITE ACRYLIC BASE

- Acrylic trim – Dry fit 10mm acrylic trim (BR-TRIM) to front face of shower base. Trim length to suit shower base.
- Silicone into place using supplied white silicone. Tape and let silicone cure.

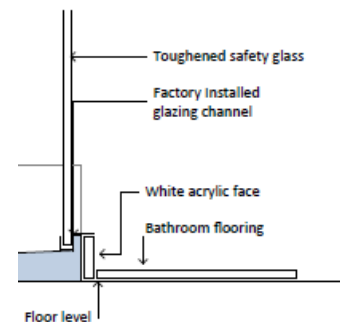


FIGURE 4

TILED BASES

- The shower base is supplied with coving at the point where the glazing channel meets the shower base. This coving forms part of the waterproofing seal. To ensure that the tile sits flat the back side of the tile may need to be bevelled.

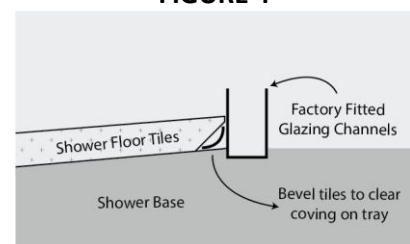


FIGURE 5

- When tiling a shower base the shower floor tile surface should be a minimum of 6mm below the top edge of the base glazing channel. Refer to figure 5.

THIS IS ESPECIALLY IMPORTANT WHEN SLIDING DOOR SCREENS ARE BEING FITTED – for door clearance.

- Please ensure the stainless steel drain cover is in place during tile laying to achieve correct clearances for water drainage – there should be an approximate 5-6mm gap, as determined by drain cover. DO NOT tile into the channel drain.
- Remove protective cover from drain cover once tiling is complete.

