



Handrail Bracket - Modena Grande
Product Code: HBR20BS

HBR20BS handrail bracket

Weld on or saddles available

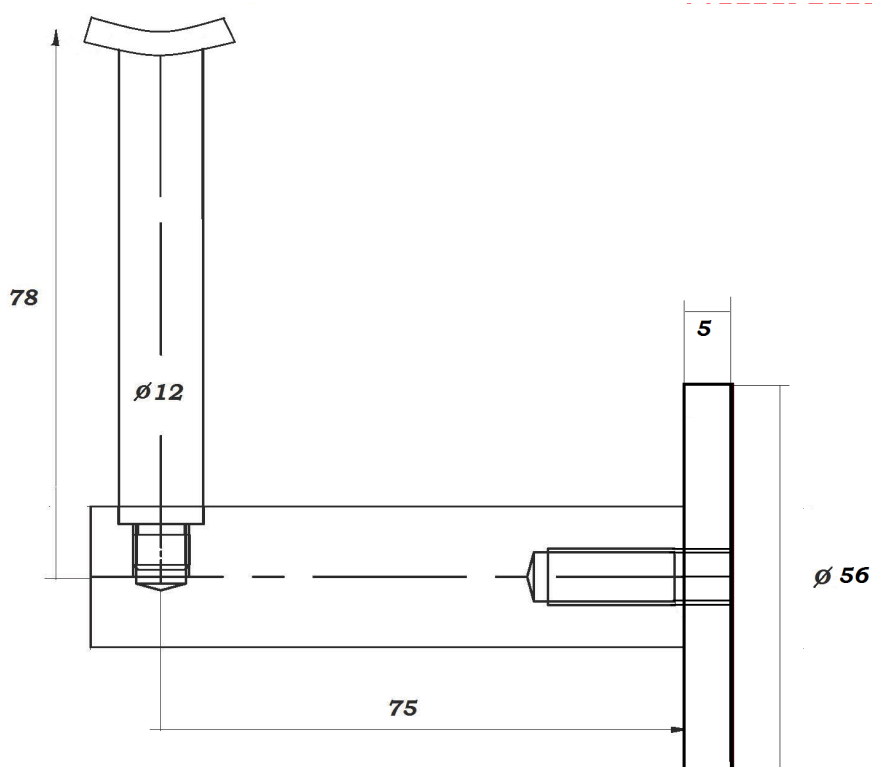
Manufactured from the highest
quality AISI304 & AISI316 stainless steel

Available in satin and mirror finish

This handrail bracket complies with BIA
acceptable solutions D1/AS1

HBR20 Handrail Bracket

- 56mm diameter base flange
- 20mm diameter solid rod
- concealed fixing into wall with a lag screw
- 12mm diameter rod upright
- Weld on or saddles available
- Recommended spacing maximum 1000mm



Also available without base flange
See HBR20S - Modena Nil

