

DATASHEET

PDL354PBDMBTW-VW

Push-Button Wiser LED Dimmer with BLE and ControlLink

Application

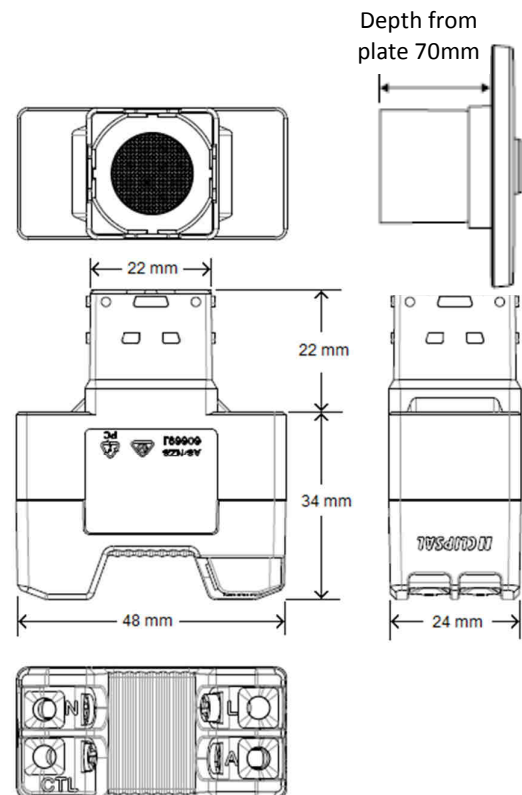
The Wiser Iconic Push Button Dimmer provides superior LED dimming performance with new 3 wire universal dimming technology. The new technology means there is no minimum load requirements and a true 0-100% smooth linear LED dimming experience. With simple app controlled dimming and configuration and smart timer and scheduling features, the Wiser LED dimmer makes setup and operation easy while offering additional value and features to the end user. Along with multiway dimming via ControlLink, the Wiser Iconic dimmer is the perfect dimmer for every home in rooms such as lounge, home theatre, dining and bedrooms.



Functions

- Offers Simple app configuration and control from smart devices using Bluetooth Low Energy (BLE) and the Wiser Room app.
- Superior LED Dimming performance with new 3 wire technology
- True smooth linear LED dimming experience from 0-100%
- Multiway dimming using ControlLink over standard wiring
- Minimum and Maximum brightness adjustment (using the App)
- App configurable LED indicator settings
- App configurable 1s - 24hr Time delay
- 24/7 scheduling functions with selectable dimming levels.
- Real time clock - no need to adjust for daylight savings changes
- Sunset/sunrise ability with astronomical clock tracking
- Copy/paste favourite settings.
- Pair with LEDs for the most optimal dimming experience.
- Wiser Compatible for future Wiser smart homes
- Supplied with Vivid White (VW) push button assembly, additional colour options available as parts packs

Dimensions



Specifications

Supply Voltage	220 to 240 V, 50 Hz
Maximum load	300W (LED, Incandescent, 240V Halogen, LV halogen)
Minimum Load	There is no minimum load requirement. Note - an error state (flashing LED) will occur if load is open circuit.
Standby Power	Does not exceed 0.5 W
Wiring type	3 Wire (requires a neutral)
Connection Terminals:	Screw type, square head & combination head (Suits: 3x1.5mm ² cable, Torque: 0.8Nm)
Max Dimmers per plate	3 (de-rating applies)
Multiway Dimming	Yes, up to 5 way (using up to 4 Controllink remote mechs).
Max Controllink cable length	50m
Time Delay	1s – 24hr – configurable via App, timer starts once finger removed from push button or app
Scheduler	16 x 24/7 Schedules, Select from - Max, high, med, or low brightness levels. (Note - Scheduler will not operate if timer is enabled)
Real time clock retention:	12 hours minimum. (in event of a power failure)
Wireless Technology enabled	Bluetooth Low Energy (BLE) , 2.4GHz. Point to Point only. Range: Approximately 10m indoors.
App Details:	Wiser Room (available free from App store and Google play)
Compatible Smart devices:	All devices with Android v4.4 or IOS9 or above.
Installer Restore:	Configured within Wiser Room app, (Default Password – 1234)
IP rating	IP20 (indoor use only)
Environmental status	Green Premium Product (Environmental profile available)
Wiser Compatible	Yes, contains Wiser Chip for future scalable smart homes.
LED Indicator Options	Warm White, default mode: On when load is off, Off when load is ON. 4 configurable modes
Wiring terminal specifications	Screw type, square head and combination head (Suits 3 x 1.5mm ² cable, torque: 0.8Nm)
Temperature Ratings	0 to 45 ° C (0 to 60° C storage)
Ambient Operating and Storage Humidity Range	5% to 90% relative humidity, non-condensing (Storage: 5% to 95% C RH non-condensing)
Compliance	AS/NZS 60669.2.1, AS/NZS CISPR-15, AS/NZS 60529
Warranty	2 years
Depth in wall	70 mm required. Requires a deep wall box.

Schneider Electric (NZ) Ltd
Contact us: sales@nz.schneider-electric.com

National Customer Care Enquiries:
Tel 0800 652 999
www.pdl.co.nz

Schneider Electric (NZ) Ltd reserves the right to change specifications, modify designs and discontinue items without incurring obligation and whilst every effort is made to ensure that descriptions, specifications and other information in this catalogue are correct, no warranty is given in respect thereof and the company shall not be liable for any error therein.

Multi-gang de-rating.

1	300 W
2	225 W
3	150 W

Ordering Information

Catalogue Number	Description
PDL354PBDMBTW-VW	Push Button Wiser LED Dimmer mechanism with BLE and Controllink, 300W, 3-wire, Iconic (supplied with VW Push Button assembly)

Accessories

PDL300PBC-VW	PB Mech Colour Cap - Vivid White (pk 5)
PDL300PBC-WY	PB Mech Colour Cap - Warm Grey (pk 5)
PDL300PBC-CY	PB Mech Colour Cap - Cool Grey (pk 5)
PDL300PBC -AN	PB Mech Colour Cap - Anthracite (pk 5)



40APB-VW

NOTE: For use in Iconic wall plates only. Not suitable for 30 series apertures.

Schneider Electric (NZ) Ltd
Contact us: sales@nz.schneider-electric.com

National Customer Care Enquiries:
Tel 0800 652 999
www.pdl.co.nz

Schneider Electric (NZ) Ltd reserves the right to change specifications, modify designs and discontinue items without incurring obligation and whilst every effort is made to ensure that descriptions, specifications and other information in this catalogue are correct, no warranty is given in respect thereof and the company shall not be liable for any error therein.