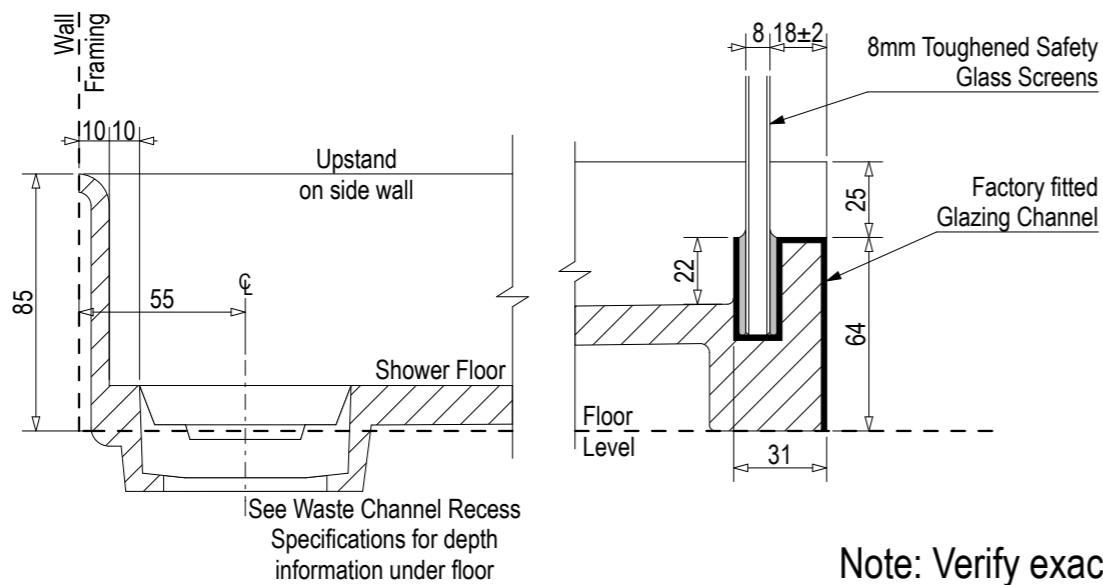
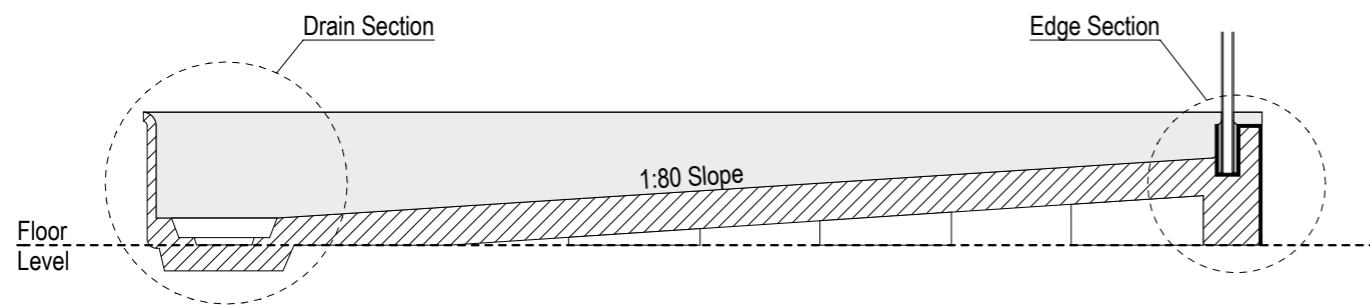
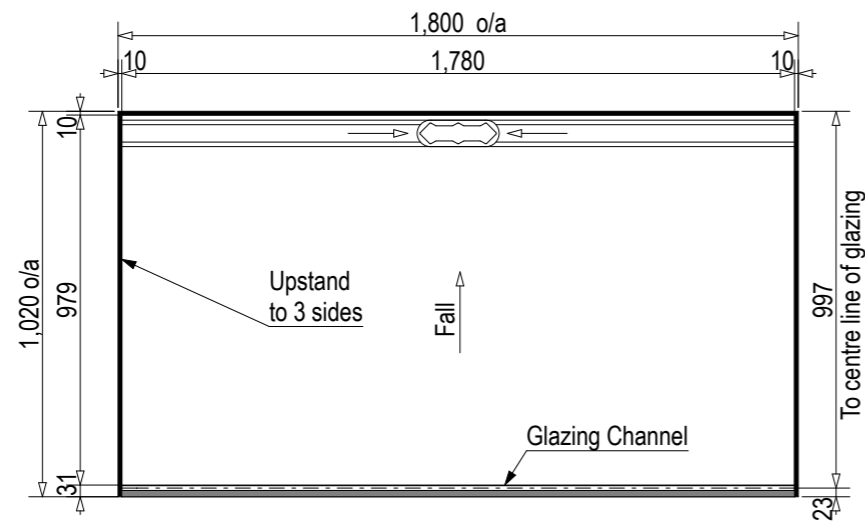


Note: Drain position central unless dimensioned otherwise

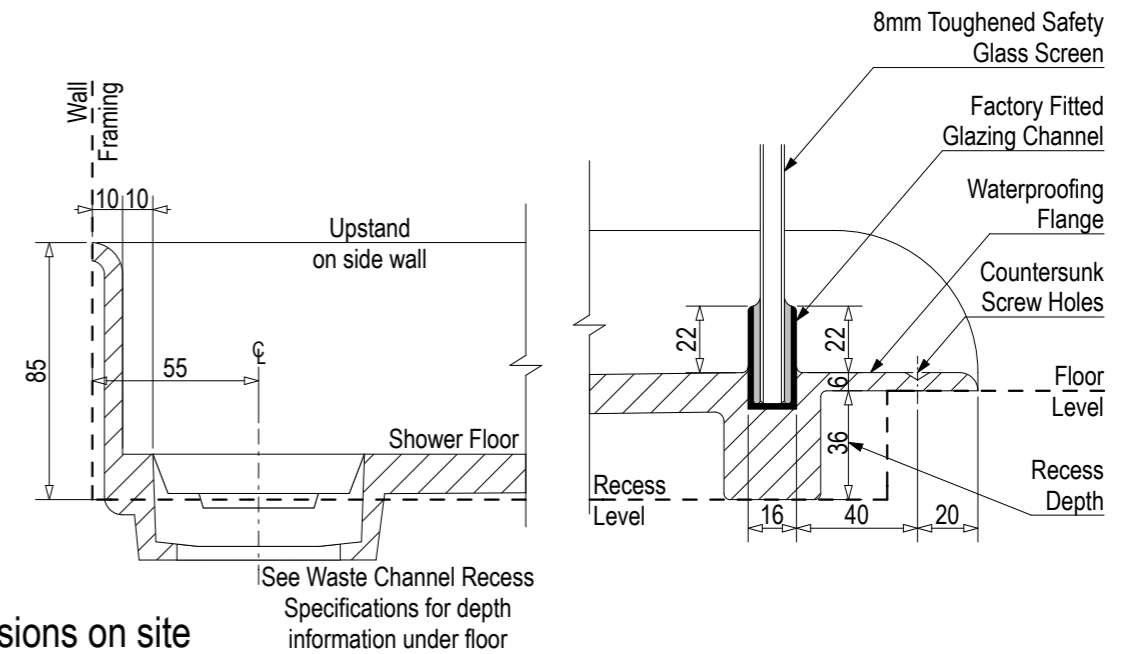
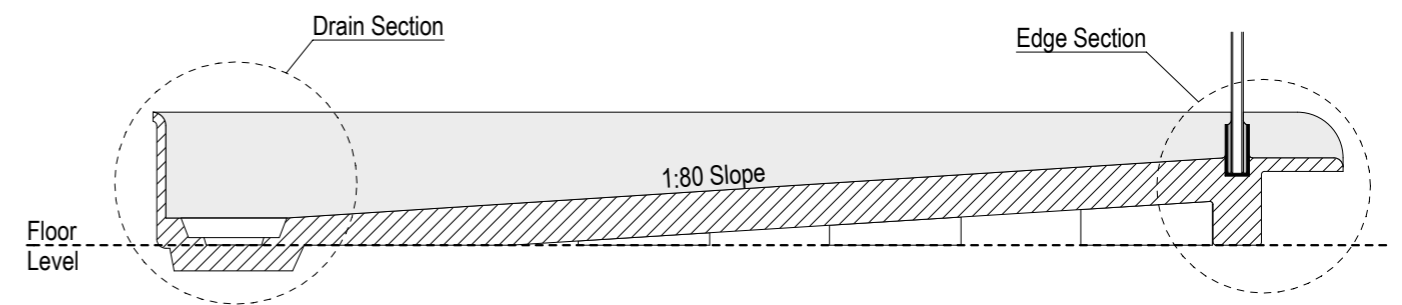
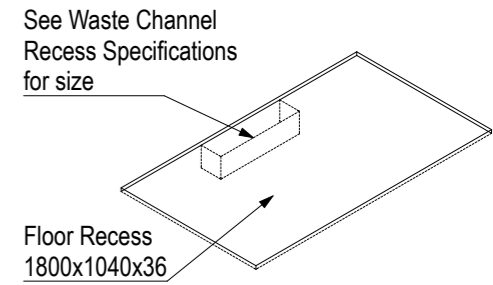
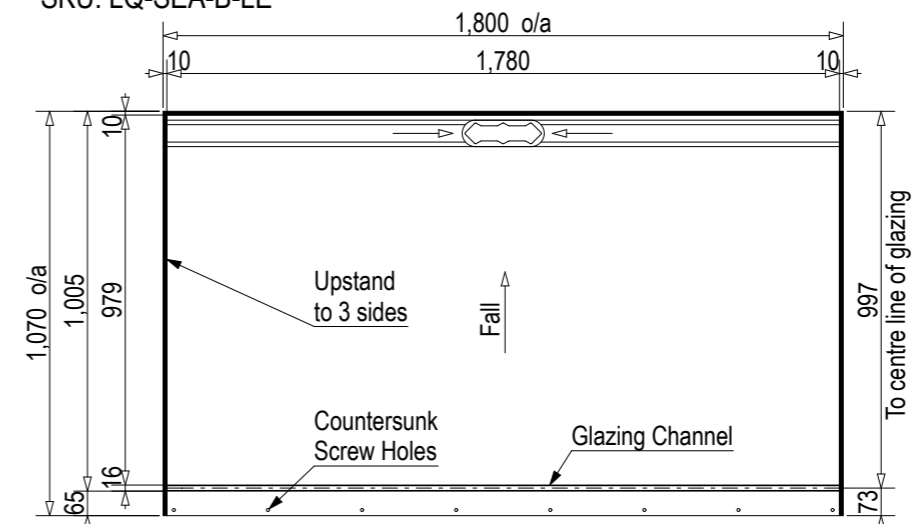
### Step Entry

SKU: LQ-SEA-B-ST



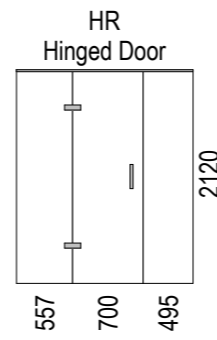
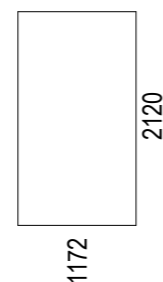
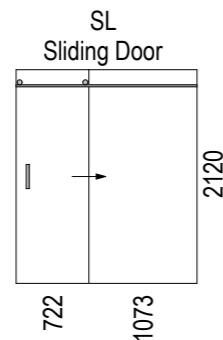
### Level Entry

SKU: LQ-SEA-B-LE



Note: Verify exact shower base dimensions on site

### Screen Options:



All 3 Wall Screens are reversible

For more product information go to:

[www.atlantis.co.nz/shop/linea-quattro/seattle-1800x1000/](http://www.atlantis.co.nz/shop/linea-quattro/seattle-1800x1000/)

For installation instructions go to:

[www.atlantis.co.nz/trade/installation/](http://www.atlantis.co.nz/trade/installation/)

## AQUAPLANE WASTE FITTING

- EasyClean Waste with in-built trap
- 50L/min ultra flow rate
- Removable fin for easy cleaning
- 40/50mm outlet with swivel fitting
- Components bolt together for guaranteed watertightness

