

WARNING - Electrical Requirements

Please pass onto your Electrician

warmup[®]
Est. 1994

Underfloor heating | Tiled shower solutions

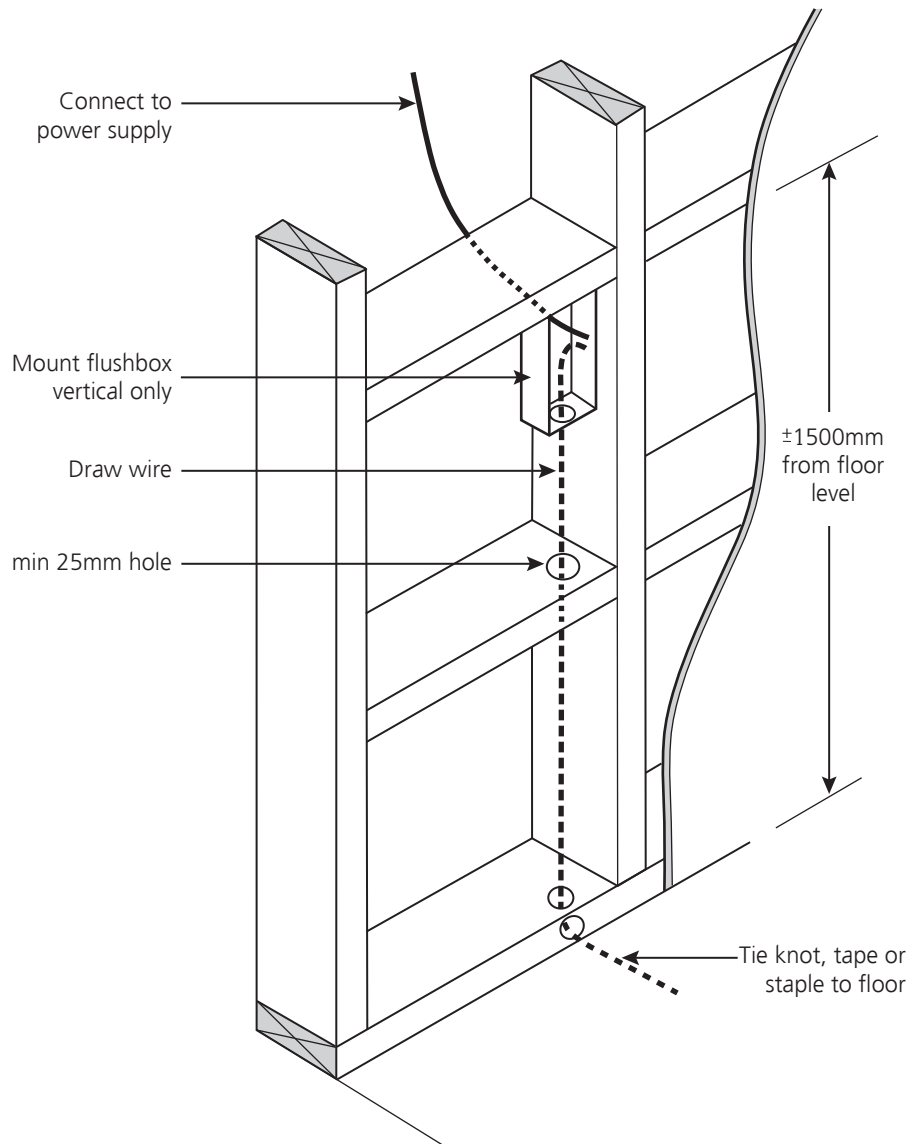
483A Rosebank Road
PO Box 19-144, Avondale
Auckland, New Zealand

T: 0800 927 687

F: 09 820 7090

www.warmup.co.nz

Cross section for pre-wire requirements
of undertile and undercarpet heating systems



Notes:

1. All our controllers are designed to fit Vertical wall bracket.
2. Height off the floor for flush boxes or wall bracket can vary with controllers.
3. The use of a draw wire or conduit is preferred. Ensure that it has a clear passage from floor to vertical wall bracket.
4. If any queries please do not hesitate to contact us on 0800 927 687.