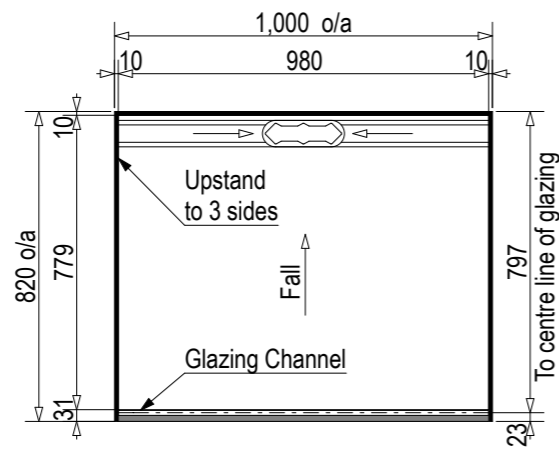


Note: Drain position central unless dimensioned otherwise

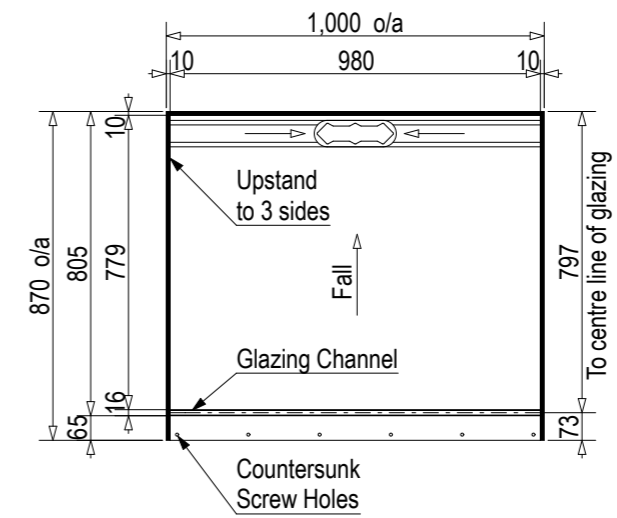
Step Entry

SKU: LQ-DAL-B-ST

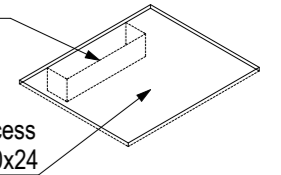


Level Entry

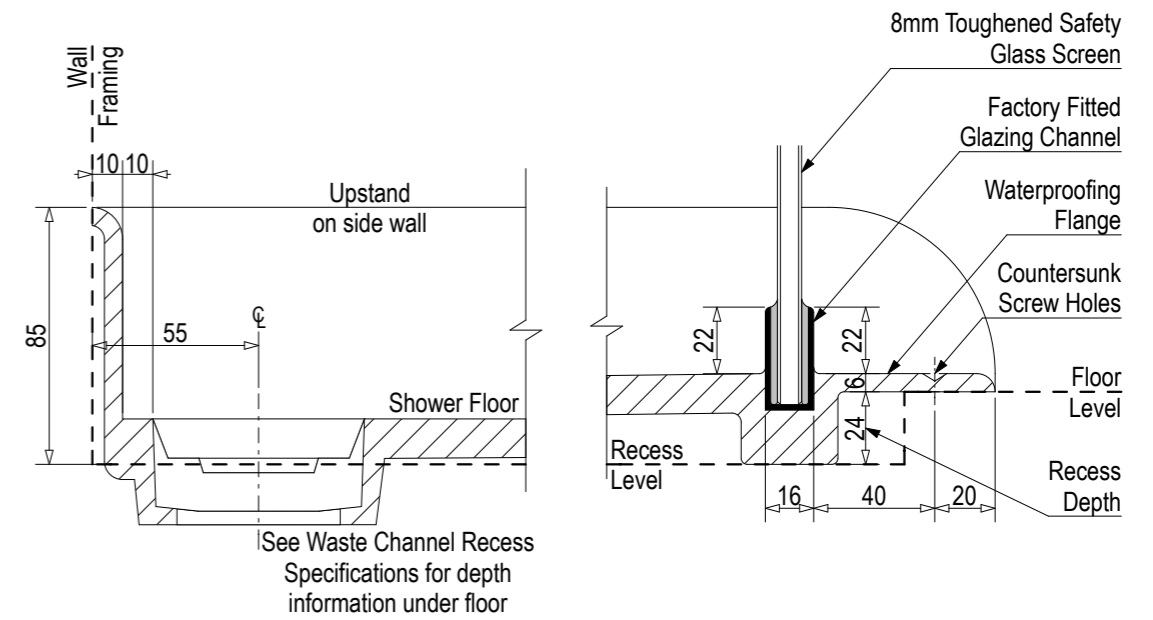
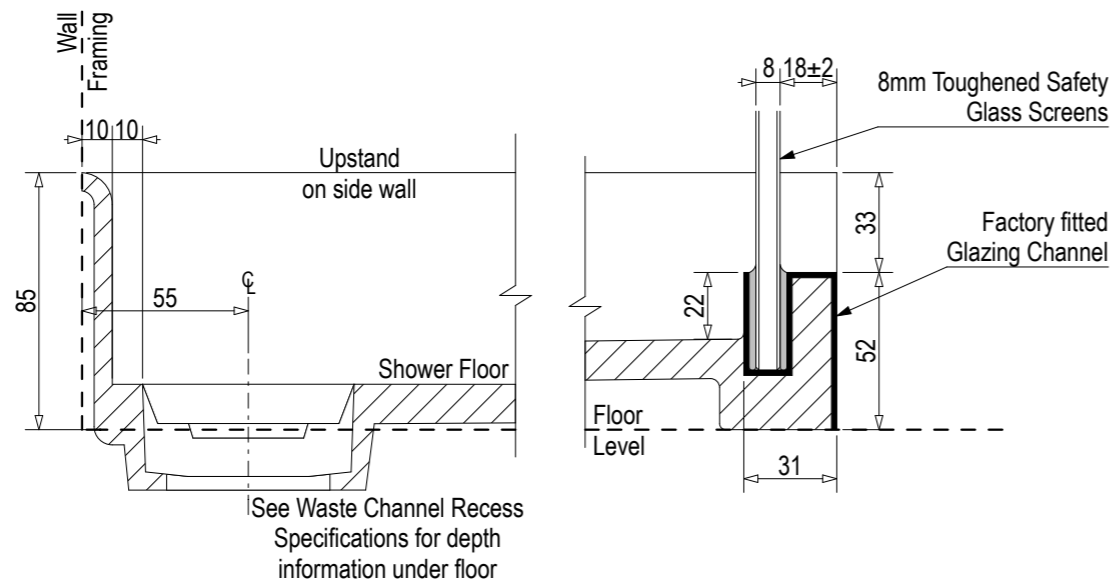
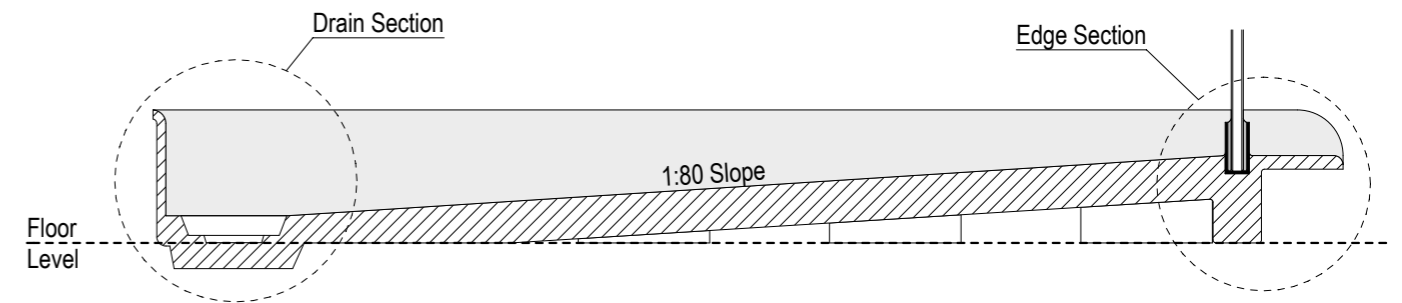
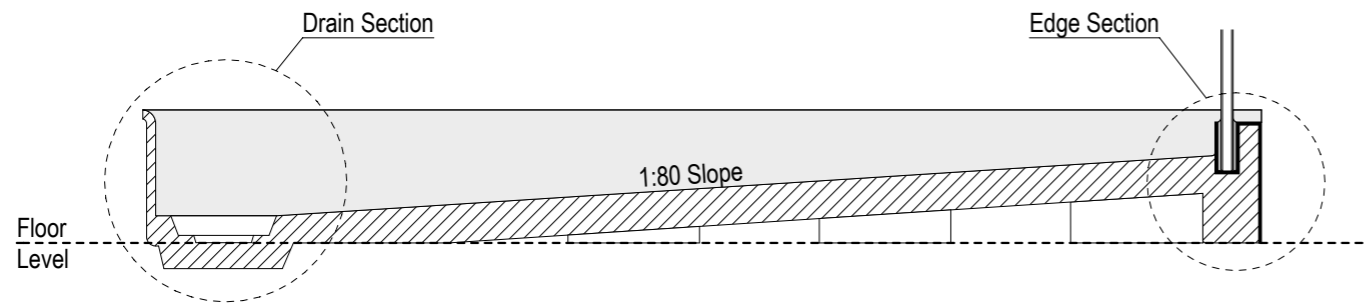
SKU: LQ-DAL-B-LE



See Waste Channel Recess Specifications for size

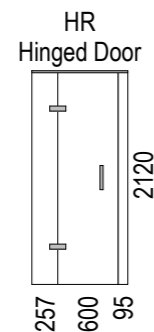


Floor Recess 1000x840x24



Note: Verify exact shower base dimensions on site

Screen Options:



All 3 Wall Screens are reversible

For more product information go to:

www.atlantis.co.nz/shop/linea-quattro/dallas-1000x800-2/

For installation instructions go to:

www.atlantis.co.nz/trade/installation/

AQUAPLANE WASTE FITTING

- EasyClean Waste with in-built trap
- 50L/min ultra flow rate
- Removable fin for easy cleaning
- 40/50mm outlet with swivel fitting
- Components bolt together for guaranteed watertightness











