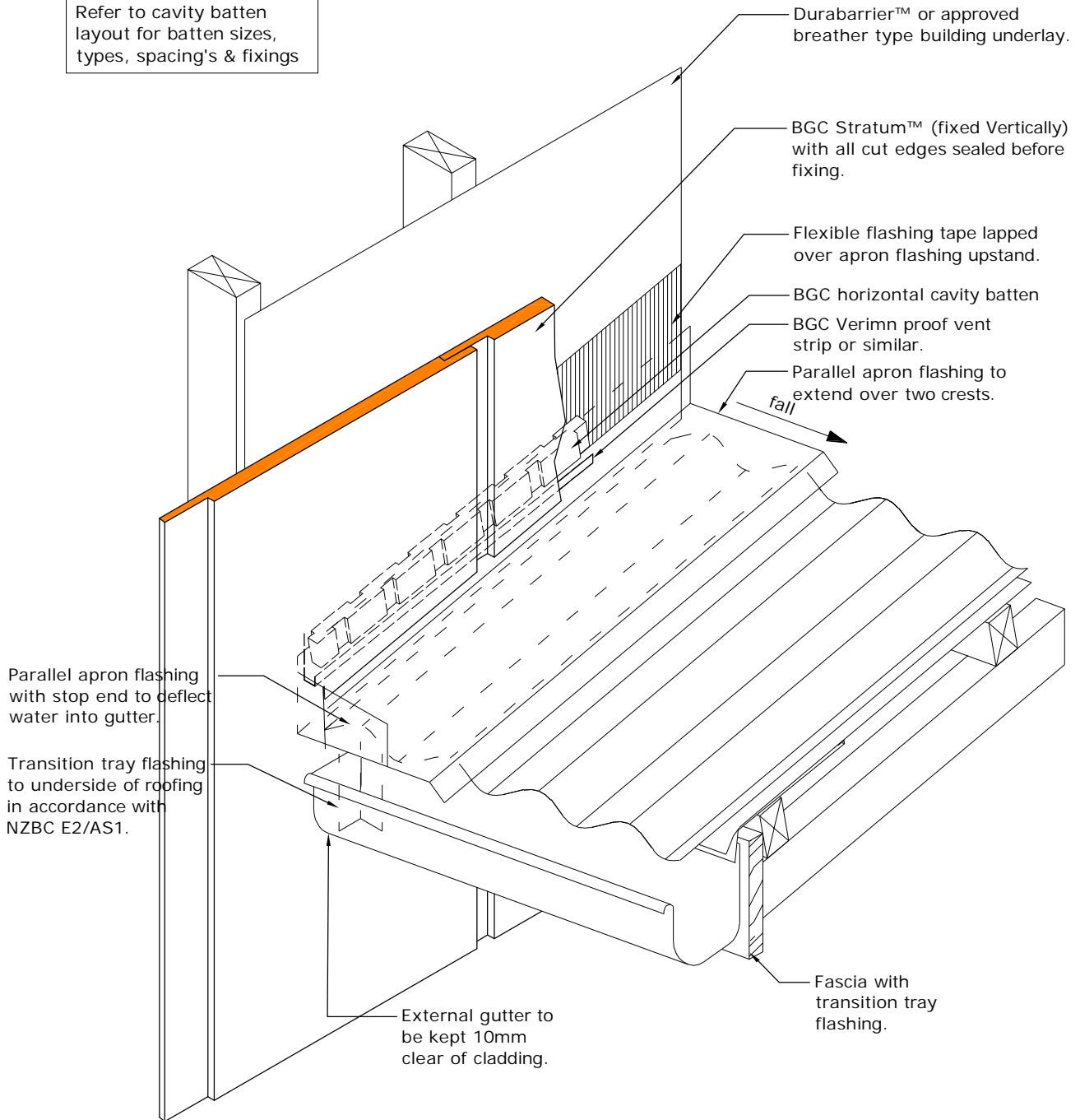




Fibre Cement

Cavity Batten Note:
Refer to cavity batten layout for batten sizes, types, spacing's & fixings



PROFILE **BGC Stratum™ and Stratum™ Duo**
(Vertical Installation)

DETAIL **Gutter to Wall Junction**
Cavity Construction

DATE **May 2019**

SCALE **1:5 @ A4**

DETAIL NO. **SV-22**