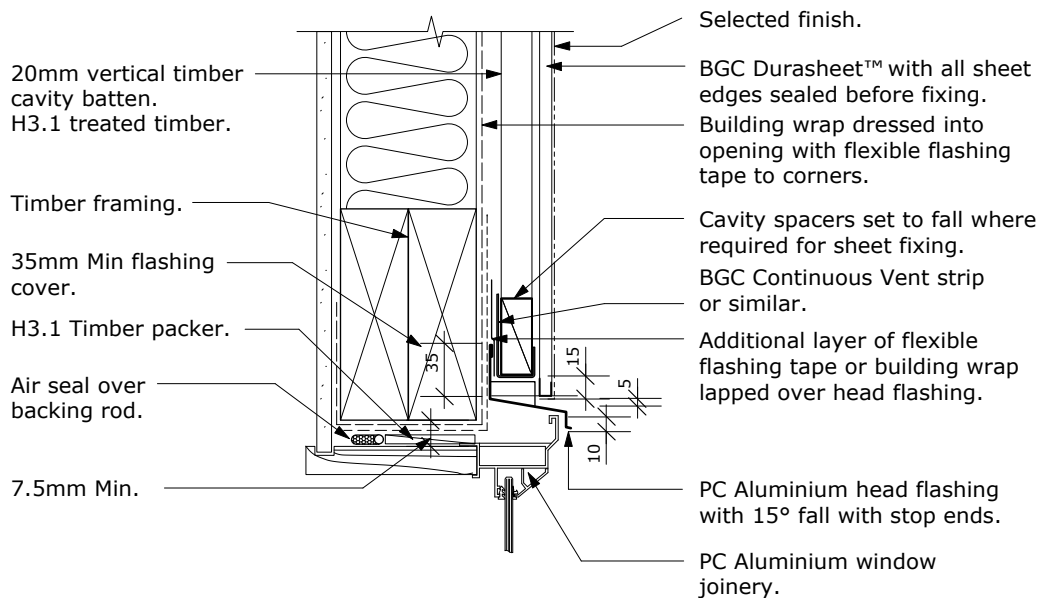


Direct Fix



Cavity

PROFILE **BGC Durasheet™**
 DETAIL **Window Head Details**

DATE **Feb 2010**
 SCALE **1:5 @ A4**
 DETAIL NO. **D 21**