

Handrail Bracket - Sierra Pico
Product Code: HBCFW

Concealed Fixing handrail bracket
with a flat 30mm flange

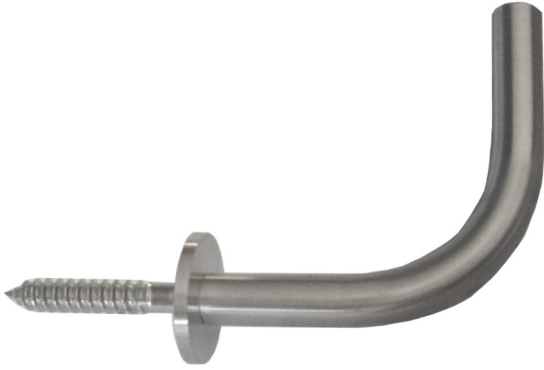
Weld on

AISI304 and AISI316 stainless steel options

Corrosion resistant - manufactured from high
quality stainless steel

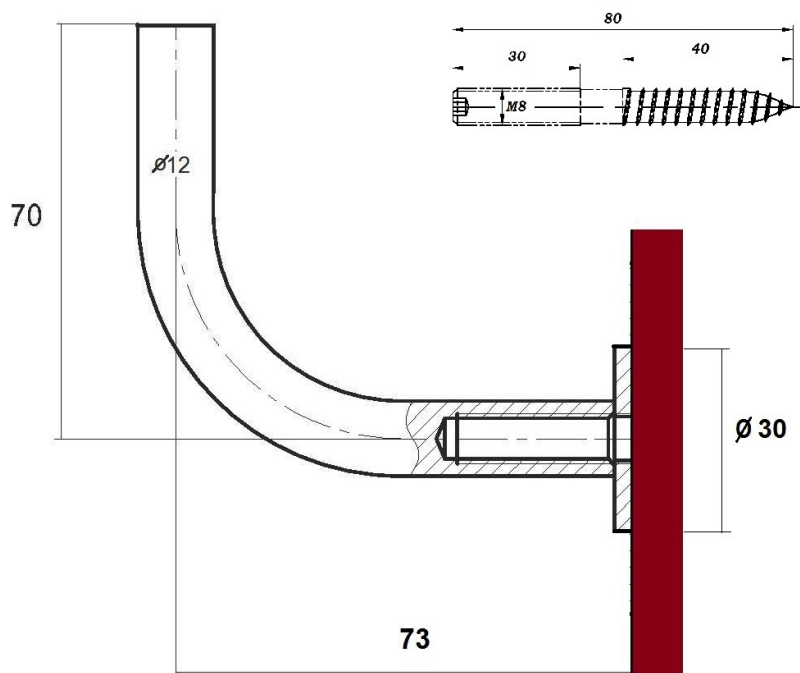
Available in satin and mirror finish

This handrail bracket complies with BIA
acceptable solutions D1/AS1



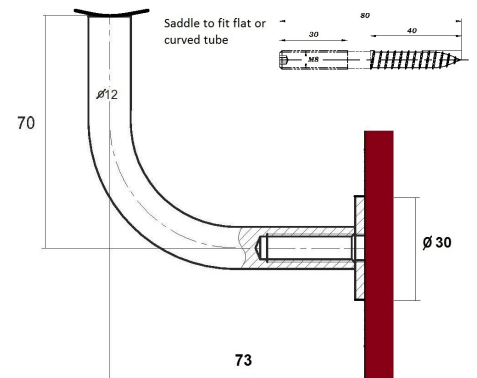
HBCFW Handrail Bracket

- Base plate machined from 5mm thick stainless steel
- A single 8mm lag screw concealed fixing
- 12mm diameter rod
- Recommended spacing maximum 800mm



Handrail Fittings Ltd - 0800 HANDRAIL - 0800 426372

Also available with saddle



Handrail Fittings Ltd - 0800 HANDRAIL - 0800 426372