

# BGC

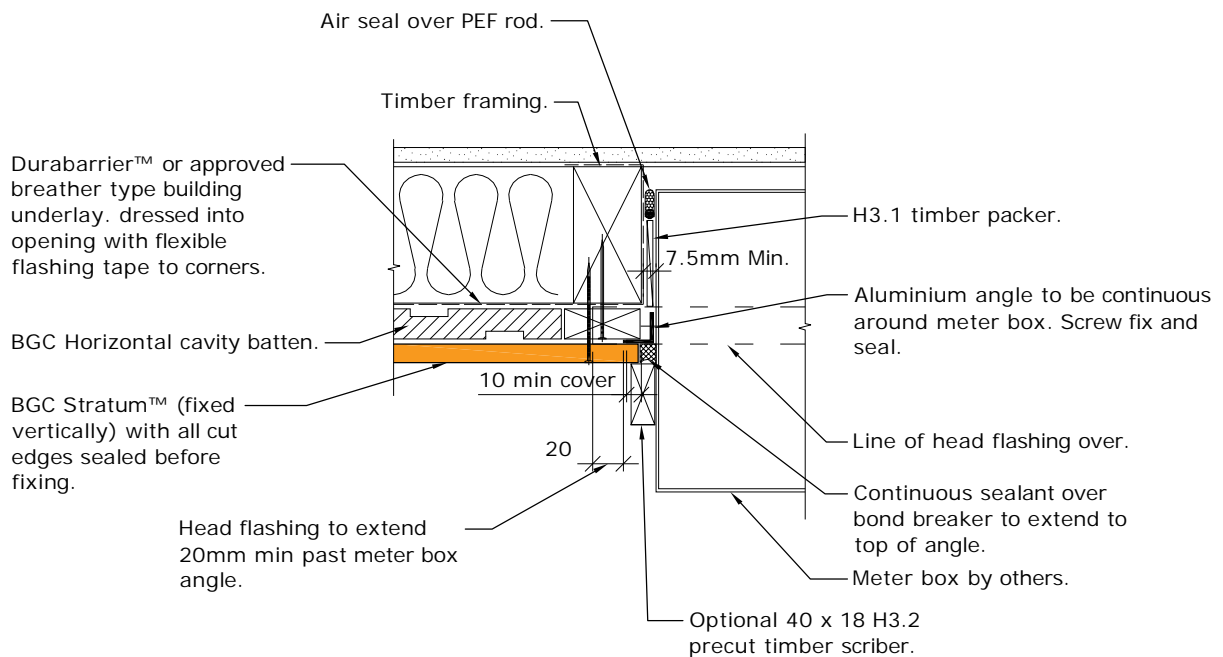
# Fibre Cement

### Cavity Batten Note:

Refer to cavity batten layout for batten sizes, types, spacing's & fixings

### Cladding fixing note:

Refer to cladding fixing layout for all fixing types & spacing's



Note. Where Durabarrier™ is used flashing tape must be applied to the entire opening

PROFILE **BGC Stratum™ and Stratum™ Duo**  
(Vertical Installation)

DETAIL **Meter Box Jamb Detail**  
**Cavity Construction**

DATE May 2019

SCALE 1:5 @ A4

DETAIL NO. **SV-17**