

ZELA *Offset Deep Tilt*



SLDL254T
Lens
Beam 9° 15° 20°
Spot lighting



SLDL256T
Honeycomb
30° 40°
Anti-glare lighting



SLDL250T
Clear glass
Beam 40° 55°
Task | General lighting



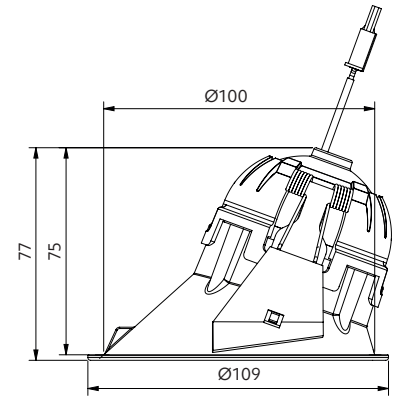
SLDL251T
Prismatic diffuser
Beam 40° 55°
General | Task lighting



SLDL253T
Opaque diffuser
Beam 90°
Wide angle lighting

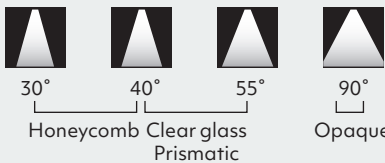
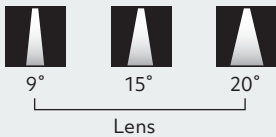
ZELA Offset Deep Tilt

- + ideal for wall washing and sloped ceilings
- + suitable for indoor and exterior (soffits)
- + recessed for low glare
- + excellent beam designs
- + IP65 front



Options

Beam angle



Trim colour



CCT



¹Sunset Dimming is available in 30°, 40° and 55° in Professional series.
²Tunable White is available in 20°, 30°, 40°, and 55° in Art series.

CRI

Professional series (P) CRI 90-94 Art series (A) CRI 95-98

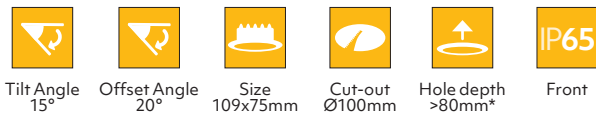
Driver

Phase cut dim (standard)
 DALI 2 tunable white (TW) / Dimming
 SLiC Casambi TW / Dimming

Product information

(example: Prismatic, 40°, 3000K, CRI 90, phase cut driver)

Driver (mA)	Power (W)	Delivered lumens (lm)	Insulation coverable		
			NZ	AU	UK/EU
150	6.4	590	IC-F	IC-4	✓
180	7.7	690	IC-F	IC-4	✓
220	9.4	800	IC-F	IC-4	✓
260	11.1	910	IC-F	IC-4	✓
300	12.8	1010	CA135	CA90	✓



*Specification is for ceiling material ≤ 13mm with a phase cut driver.

how to specify ZELA Offset Deep Tilt

Please confirm model option availability from our website. **Not every combination is compatible.**

e.g. code = **SLDL251T-4030P-TWD11**

Model	Beam	CCT	CRI	Trim Colour	Driver	Market
SLDL254T = Lens	09 = 9°	24 = 2400K	P = 90-94	TW = Textured white	Phase cut	1 = NZ
SLDL256T = Honeycomb	15 = 15°	27 = 2700K	A = 95-98	TB = Textured black	D08 = 100mA (4.3W)	1 = Aust
SLDL250T = Clear glass	20 = 20°	30 = 3000K			D09 = 150mA (6.4W)	2 = UK
SLDL251T = Prismatic	30 = 30°	40 = 4000K			D15 = 180mA (7.7W)	3 = EU
SLDL253T = Opaque	40 = 40°	SD = Sunset Dimming			D10 = 220mA (9.4W)	
	55 = 55°	S2 = Tunable White			D11 = 260mA (11.1W)	
	90 = 90°				D12 = 300mA (12.8W)	
					DALI	
					D02 = 180mA (8.3W)	
					D03 = 230mA (10.1W)	
					D04 = 260mA (11.9W)	
					DALI 2 TW	
					D42 = 180mA (8.3W)	
					D43 = 230mA (10.1W)	
					D44 = 260mA (11.9W)	
					Casambi TW	
					D52 = 180mA (8.2W)	
					D53 = 220mA (10W)	
					D54 = 260mA (11.8W)	
					Check online for all driver options.	

Please see www.switch-lighting.co.nz for full specifications, lux levels, SDoCs, ies files and installation instructions.



Warranty
7yr Luminaire
5yr Driver

L70 (60,000 h)

