

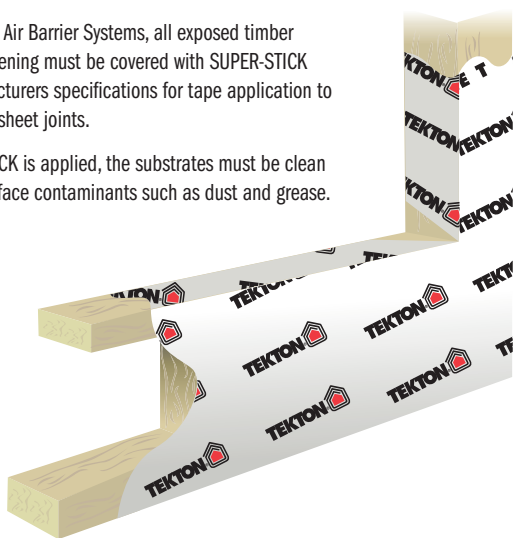
Preparation

The flexible building underlay must be installed in accordance with the manufacturer's specifications.

With proprietary Rigid Air Barrier Systems, all exposed timber around the joinery opening must be covered with SUPER-STICK Tape, refer to manufacturers specifications for tape application to joinery openings and sheet joints.

Before any SUPER-STICK is applied, the substrates must be clean and free from any surface contaminants such as dust and grease.

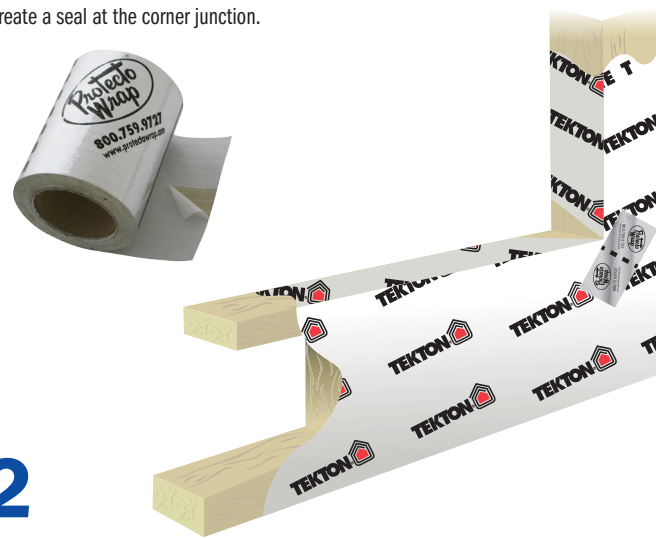
1



Jamb/Sill Butterfly application

Cut 4 strips of tape 150mm by 75mm. Apply 2 strips on the bottom corners at a 45 degree angle and overlapping the corner by 3mm to create a seal at the corner junction.

2

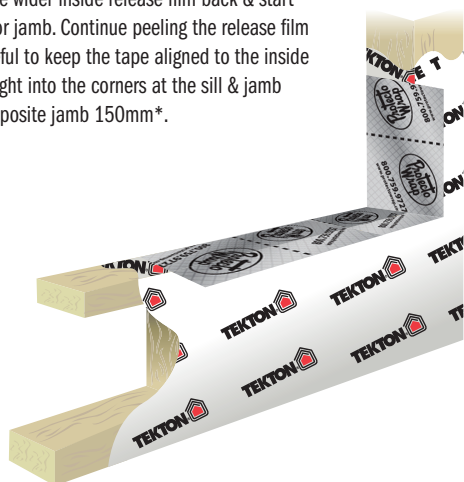


Sill Installation

Measure and cut a length of SUPER-STICK tape to the length of the sill + 300mm. The tape is installed flush with interior face of the opening & is applied along the entire length of the sill & 150mm up the jamb. Start by peeling 100mm of the wider inside release film back & start 150mm* up the window / door jamb. Continue peeling the release film as you move along being careful to keep the tape aligned to the inside edge of the sill and forming tight into the corners at the sill & jamb junctions. Run the tape up opposite jamb 150mm*.

*Note for ex 150mm framing increase height up jambs to 200mm with SUPER-STICK to get sufficient cover.

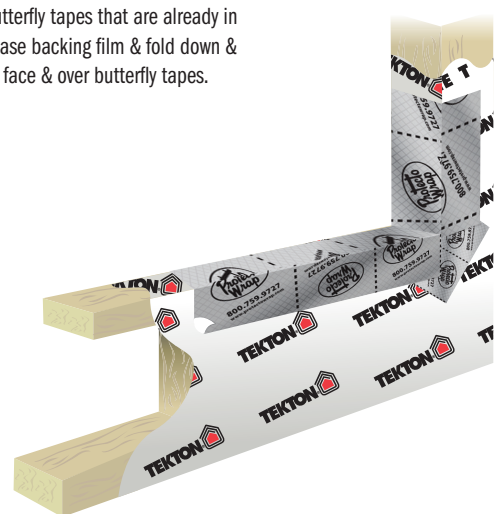
3



Sill installation stage 2

The overhanging tape is cut at the corners of the opening to allow the tape to be folded onto the face of the building wrap & butterfly tapes that are already in place. Peel off the release backing film & fold down & apply to building wrap face & over butterfly tapes.

4

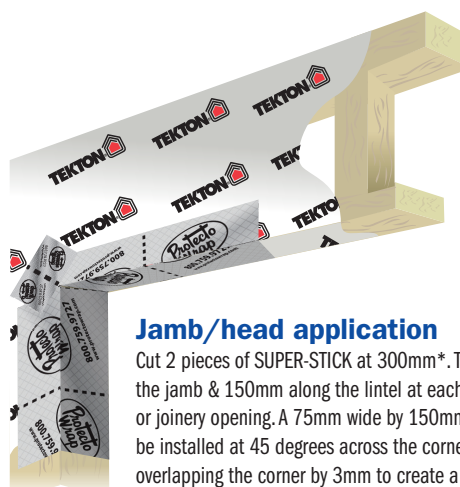
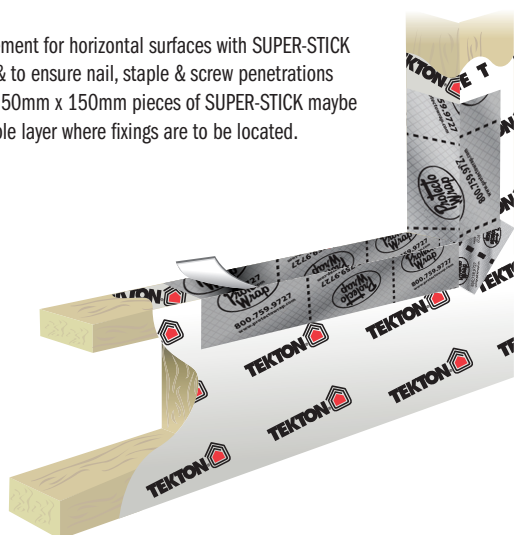


Sill & Nail Sealability

Apply a layer of 75mm SUPER-STICK over the top of the original flashing tape along the entire length of the sill. Align the tape to the outside face of the sill.

This is a BRANZ requirement for horizontal surfaces with SUPER-STICK where water may pool & to ensure nail, staple & screw penetrations self seal. Alternatively 150mm x 150mm pieces of SUPER-STICK maybe overlaid to form a double layer where fixings are to be located.

5



Jamb/head application

Cut 2 pieces of SUPER-STICK at 300mm*. The tape is installed 150mm down the jamb & 150mm along the lintel at each of the top corners of the window or joinery opening. A 75mm wide by 150mm long sealing butterfly tape must be installed at 45 degrees across the corner of the head/jamb junction overlapping the corner by 3mm to create a seal at the corner junction.

*Note for ex 150mm framing cut 2 pieces of SUPER-STICK at 400mm to get sufficient cover. When lapping SUPER-STICK, the lap must be a minimum of 100mm.

*Ensure all the tape is pressed firmly onto substrate to achieve adequate adhesion.

6