



INSTALLATION INSTRUCTIONS

Floor | PINK® BATTS® SNUGFLOOR® INSULATION

Installation Instructions


Correct installation with no compression or gaps is critical to ensure Pink® Batts® SnugFloor® insulation performance is not compromised.

Safety:

Each installation is unique, so prior to installation check for all hazards that may cause injury.

- Carry out repair work without delay
- Ensure there is adequate lighting to identify any hazards
- Treat all electrical cables as live
 - turn power off when working underfloor
 - ensure damaged, exposed or hanging cables are repaired immediately
 - be careful not to cut or expose cables and wires
 - when stapling/strapping insulation, leave a 50mm gap between staples and electrical cables
 - use labels to identify location of wires, pipes and cables for future reference

- Beware of other sharp objects (protruding nails, splinters etc.), pests (bees and wasps, animals and vermin).

 **Note:** Seek professional advice if you're unsure how best to isolate the hazard or have a professional installer carry out the work for you.

We recommend PinkFit® professional installers. PinkFit® are a nationwide network of professional installers who guarantee their completed installation will meet the requirements of NZS 4246:2016.

For your local PinkFit® installer call **0800 746 534** or visit pinkbatts.co.nz/installing-pink-batts/

Installation:

Any slight irritation to exposed skin caused by the fibres in glass wool, or through their inhalation, is harmless and temporary.

However, for your comfort while installing, it's recommended you wear:

- Loose fitting work clothes which cover the arms and legs
- Covered shoes
- Dust mask
- Safety glasses

For safety while installing, it's recommended you use:

- Cut resistant gloves (if knife is used)
- Knee pads

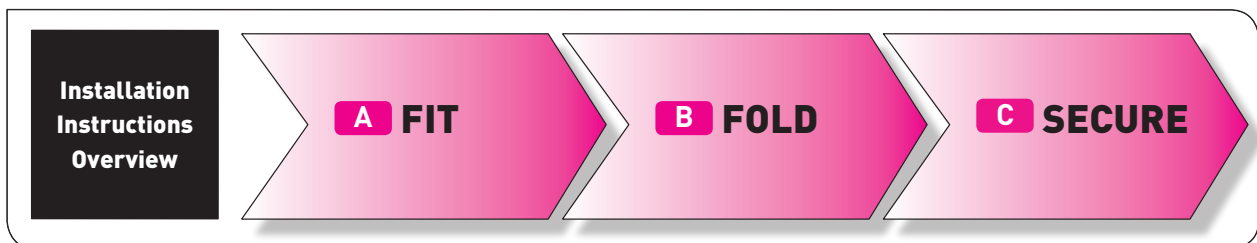
For an efficient installation, the following tools are recommended:

- Knife
- Torch
- Danband or similar strapping (>20mm wide)
- Staple gun with 10 mm galvanised staples
- Tape measure

Pre-work checklist

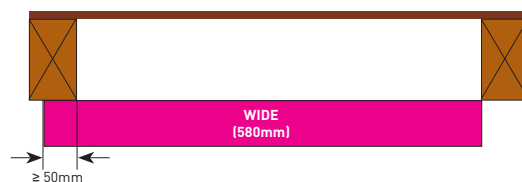
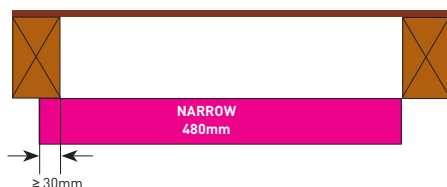
Before commencing installation ensure:

- Mains power switch is off
- Underfloor area has adequate working space and lighting
- No signs of water seepage beneath bathroom floors (and other wet areas). Repair damaged plumbing or sewer work
- Underfloor area is dry with adequate ventilation. If wet or damp install a polyethylene groundsheet (Moistop® Underlay)



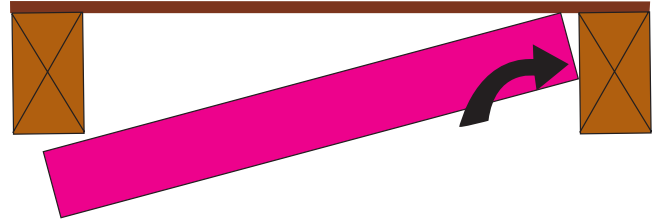
A. Fitting detail

- Open the pack before entering underfloor area. The compressed product will expand substantially.
- Start installing at the point furthest from the access point and work back towards it.
- Fit width-wise between joists ensuring that there is the required overlap:
 - Pink® Batts® SnugFloor® Narrow $\geq 30\text{mm}$
 - Pink® Batts® SnugFloor® Wide $\geq 50\text{mm}$
- If overlap is insufficient, use wider product or fit pieces length wise between joists.



B. Fold detail

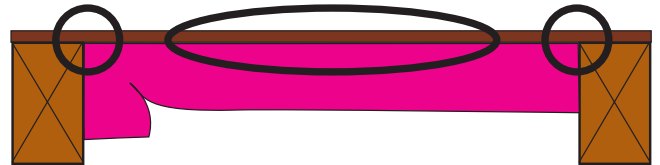
- Insert one side of the Pink® Batts® SnugFloor® segment against the joist.



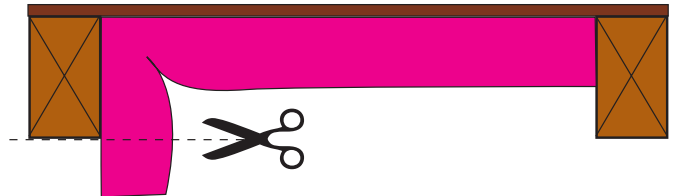
- Push the other side of the segment onto the opposing joist with a fold to create a friction fit.



- Ensure there are no gaps in corners and under the floor boards.



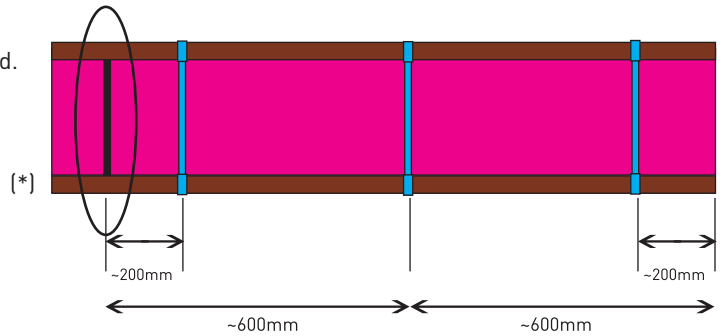
- The fold must not extend beneath the joist, trim if required.



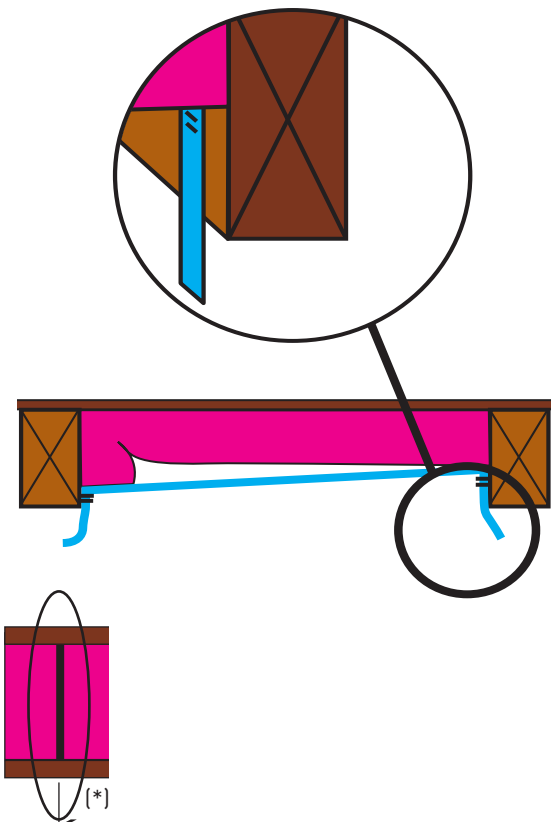
- Insulate out to under the bottom plate of the exterior wall.

C. Secure detail

- Secure using no less than three straps per piece; in the middle of the segment and approx. 200mm from each end.



- Strap up the joists and against the product using two staples at each fixing point. Always staple across the tape to avoid tearing.



- Ensure adjoining pieces are butted together with no gaps (*).

When installing around electrical cables ensure that you have a clear view of the joist face. Avoid stapling close to electrical wires.

CAUTION: Electrical cables and equipment installed prior 1989 may overheat and fail when partially or completely covered with bulk thermal insulation.

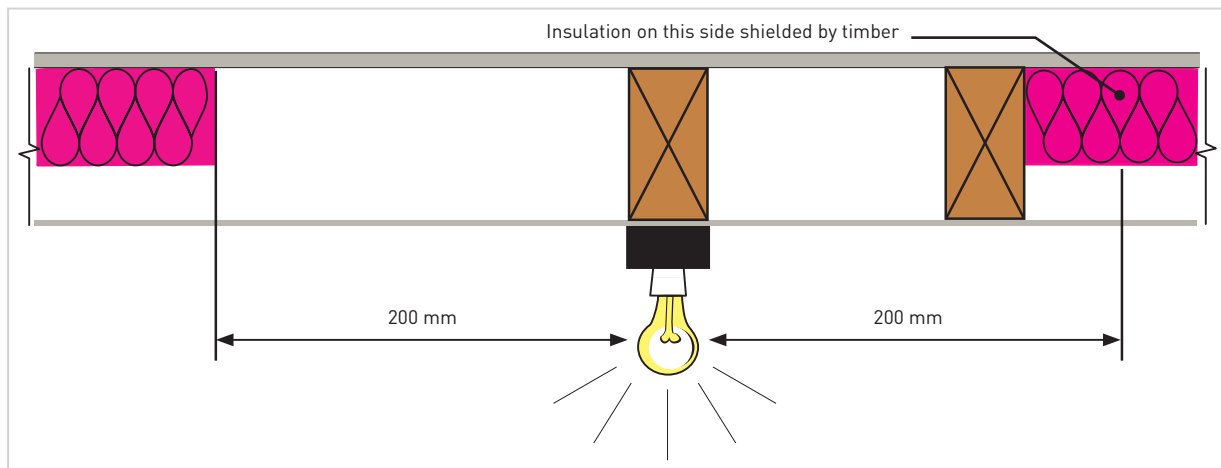
Tip: To verify Building Code Compliance, staple a product label at an easy to find location away from any hot items such as downlights or water cylinders. An alternative is to supply the information to the building owner or authorised person.

Refer to NZS 4246:2016 for further information related to clearances and installation standards.

Clearances

Follow the clearances specified by the manufacturer; if they are not known then

- **Surface Mounted Luminaire** - Minimum clearance 200mm; however it does not apply if the insulation is permanently shielded.



- **Controlgear** - Minimum clearance of 50mm from the insulation to the controlgear.
- **Built in appliance** - Minimum 50mm.
- **Enclosures containing electrical equipment** - Minimum 50mm.
- **Metal chimney and flues** - Minimum 50mm.
- **Brick chimney** - Minimum 50mm.
- **Plumbing** - Approximately 100mm around all plumbing penetrations through the floor.

Exposed Subfloors

If your house has an exposed subfloor (e.g. pole houses, houses less than 500m from the sea etc.) shield the underfloor insulation with hardboard to protect it from moisture and wind damage. Use 4mm oil tempered hardboard, or equivalent. Install with a 2.5mm separation between each sheet using flat head, hot dip galvanised nails.

When installing around electrical cables ensure that you have a clear view of the joist face. Avoid stapling close to electrical wires.

Product Guide

	BRANZ APPRAISED	ENVIRONMENTAL CHOICE	GREENGUARD CERTIFICATION	CODE	SIZE (mm)	NOMINAL STABILISED THICKNESS* (mm)	NOMINAL TOTAL AREA PER PACK (m ²)	APPROX COVERAGE PER PACK** (m ²)
Pink® Batts® SnugFloor® R1.6 Narrow	✓	✓	✓	7134816	1220x480	70	9.4	8.8
Pink® Batts® SnugFloor® R2.6 Narrow	✓	✓	✓	7131451	1220x480	110	8.8	8.2
Pink® Batts® SnugFloor® R1.6 Wide	✓	✓	✓	7135816	1220x580	70	11.3	11.3
Pink® Batts® SnugFloor® R2.6 Wide	✓	✓	✓	7131601	1220x580	110	10.6	10.6

* Stated thicknesses are values at which stated R-values are achieved and are likely to be minimum values
 ** Insulation coverage relates to maximum allowable joist spacing for each product, actual coverage may vary.

Storage and Maintenance

Pink® Batts® should be protected from damage and weather. Store under cover in clean dry conditions. The installed product must remain dry at all times. If the product becomes wet or damp, the source of dampness should be repaired and any wet or damp insulation should be removed and replaced with new insulation of an equivalent R-value.

Note Installing any underfloor insulation in your home with the addition of a dry heat source can create a warm, dry environment. This may lead to the drying out of unsealed timber floors.

Disposal of bags

Recyclable LLDPE bags are used for packaging of Pink® Batts® insulation. These bags are categorised as Rec 4 and can be placed in a recyclable refuse collection bin. For further details download the relevant product data sheet from pinkbatts.co.nz

Accreditations/Appraisals/Certifications



DISTRIBUTED BY
 Tasman Insulation New Zealand Ltd
 9-15 Holloway Place, Penrose, Auckland,
 New Zealand

This document supersedes all previous versions and may have been superseded; is a guide only and the purchaser should ascertain the suitability of this product for the end-use situation intended and when used in conjunction with other products; and is provided without prejudice to Tasman Insulation New Zealand Ltd (Tasman) standard terms of sale. Tasman retains the right to change specifications without prior notice. Refer to www.pinkbatts.co.nz or consult Tasman for further information. Do not use this product for any application not detailed in this document. All claims about this product are subject to any variation caused by normal manufacturing process and tolerances. The liability of Tasman and its employees and agents for any errors or omissions in this document or otherwise in relation to the product is limited to the fullest extent permitted by law. Except where the consumer acquires the goods for the purposes of a business, any rights a consumer may have under the Consumer Guarantees Act are not affected. The colour PINK and Pink® are registered trademarks of Owens Corning used under license by Tasman Insulation. Batts® is the registered trade mark of Tasman Insulation.



Always.