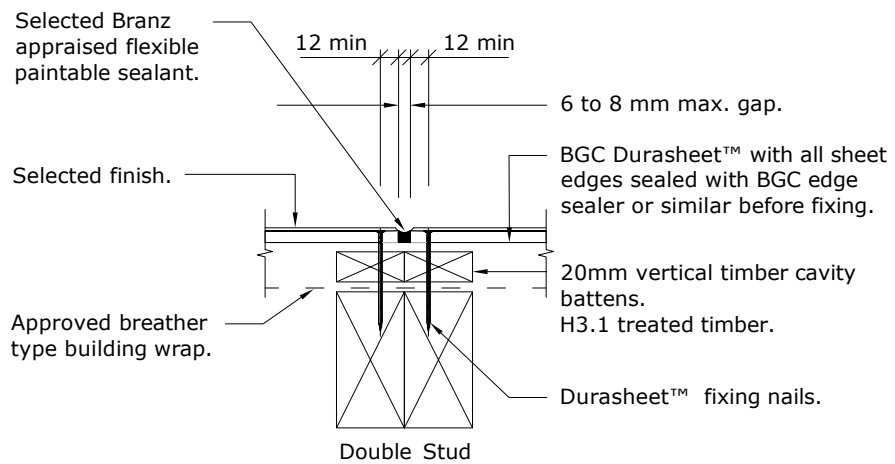




Fibre Cement



PROFILE **BGC Durasheet™**

DETAIL **Vertical Sealant Joints - Cavity**

DATE Oct 2021

SCALE 1:5 @ A4

DETAIL NO. **D 06**