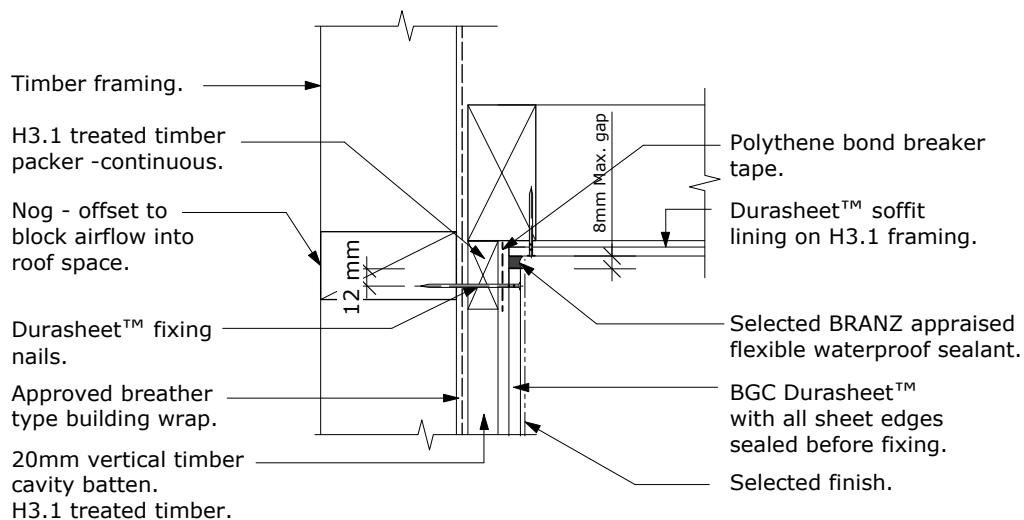
**Direct Fix****Cavity**PROFILE **BGC Durasheet™**DATE **Feb 2010**DETAIL **Soffit Details**SCALE **1:5 @ A4**DETAIL NO. **D 14**