

Spot-LIGHTZ



Natural Anodise
Aluminium

Surface Mount
SL224
Spike Mount
SL234



Black Anodise
Aluminium

Surface Mount
SL224
Spike Mount
SL234



Copper

Surface Mount
SL224
Spike Mount
SL234

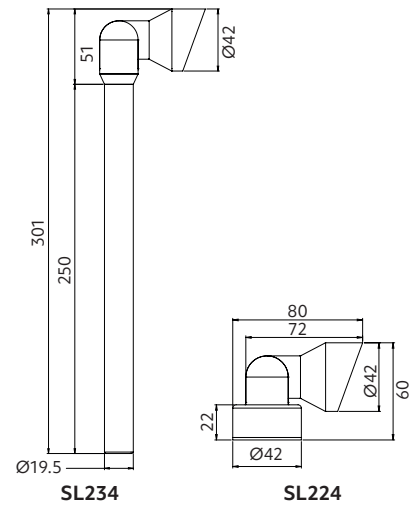


316 Stainless Steel

Surface Mount
SL224
Spike Mount
SL234

Spot-LIGHTZ

- + adjustable head
- + constant voltage
- + gardens / features / walkways / decks
- + IP67



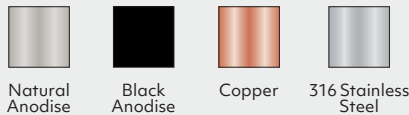
Beam control options

Beam angle



Other options

Trim colour



Power supply – constant voltage

Ordered separately.

SL224 / SL234 Spot-LIGHTZ

require a power supply with 12 or 24VDC output (2700K, 3000K, 4000K, red, amber)

SL224 / SL234 Spot-LIGHTZ

require a power supply with 24VDC output (green, blue)

Light colour options

CCT



CRI

CRI 80 (2700K/3000K/4000K)

Use with

Waterproof cable connectors

Q4-12V-20W (IP20)	1-3 lights in parallel
SLDV-12V-40W (IP67)	1-7 lights in parallel
SLDV-12V-75W (IP67)	1-13 lights in parallel
SLDV-24V-40W (IP67)	1-5 lights in parallel
SLDV-24V-75W (IP67)	1-10 lights in parallel
SLDV-24V-150W (IP67)	1-20 lights in parallel

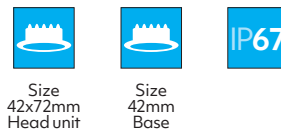
Other drivers available.
Please refer online for cable size requirements (voltage drop)

Product information

(example: 3000K)

Power supply (VDC)	Luminaire power (W)	Delivered lumens (lm)
12	5.3 (440mA)	415
24	5.3 (220mA)	415

SL224 Surface mount



SL234 Spike mount



how to specify Spot-LIGHTZ

Please confirm model option availability from our website. Note: power supply is ordered separately.

e.g. code = [SL224-40-27-N](#)

Model	Beam	CCT	Trim Colour	Market
SL224 = Surface mount SL234 = Spike mount	15 = 15° 40 = 40°	27 = 2700K 30 = 3000K 40 = 4000K R = Red G = Green B = Blue A = Amber	N = Natural anodise B = Black anodise C = Copper SS = 316 Stainless steel	N = NZ 1 = Aust 2 = UK 3 = EU

Please see www.switch-lighting.co.nz for full specifications, lux levels, SDoCs, ies files and installation instructions.



Warranty
5 Years

L70 (36,000 h)

