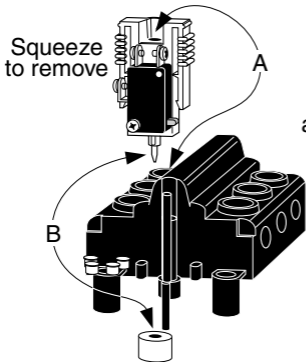


56SW01 and MSW01

0.1A
0.05A
50Hz

125V
250V



To install
fit pins 'A'
and 'B' into
apertures
as shown and
press down
until the
module is
locked in
place

Assembly Diagram

08/04 659278