



Sliding and folding door systems

Technik für Möbel


Hettich

General technical conditions

The fitting information, screw fixing points and load capacity information contained in this catalogue assume proper attachment using screws specified by Hettich to a chipboard panel providing a screw pull out resistance of at least 1,000 N in accordance with EN 320.

Hettich accepts no responsibility for the load capacity of furniture and its components if materials or fastening methods are used other than those stated; the furniture manufacturer must verify load capacity.

The fitting situations shown in this catalogue are only intended to illustrate the possible options.

The furniture manufacturer is responsible for ensuring that furniture is designed in compliance with standards, in particular with regard to meeting the requirements on safety.

We will be pleased to provide any further information you may require.

General Terms of Sale and Delivery

All products and services will be provided exclusively on the basis of our General Terms of Sale and Delivery published on our website at www.hettich.co.nz

Legal notice

© Hettich New Zealand
18 Barmac Place
East Tamaki 2013
Auckland

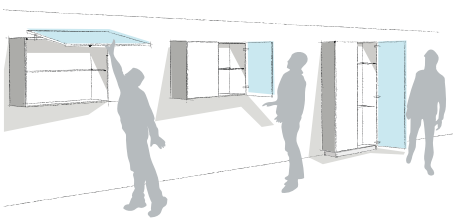
January 2019

We reserve all rights to this catalogue under copyright law. It shall not be permissible to duplicate this catalogue in any form either in whole or in part without our written consent. Subject to technical alterations. Errors and omissions excepted. Subject to colour variations.



Everyone does it: Slide it. Love it. People like to keep it simple. On their tablet PCs. On their smartphones. The revolutionary aesthetic appeal of virtual sliding fascinates millions: gentle, flowing movement, simply at the touch of a finger. But sliding in the real world's right on trend too. Truly practical cars have a sliding door, a sliding roof provides fresh air and a feeling of freedom, and at home we slide

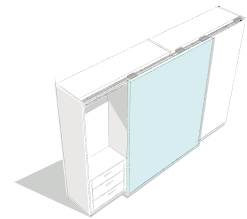
panel curtains and doors as room dividers or on furniture. Are you open to new trends? Because if you are, new doors are about to open for you too. In this case they open to the side. Whether for the bedroom, living room or kitchen furniture – Hettich gives you innovative sliding door systems that go perfectly with your furniture. Are you open to a new love? Welcome to Hettich.



Ergonomics: Always in reach. Never in the way. In terms of ergonomics and convenience, sliding doors are a cut above any other door system. That's clear to see in everyday use: open sliding doors don't get in the way where space is at a premium. Open doors on wall units are not likely to leave you injured. Sliding doors are also easy to open without stretching or dodging out of the way.









Design: Unadulterated form. Distinctive surfaces. Sliding doors provide the key to picking up on modern, spacious interior design and cleverly carry it through in furniture. Because large surface doors, particularly with flush fitted sliding door systems, are the ideal creative element for purist interior design. Hettich sliding door systems impress with narrow reveals that hardly detract from the homogeneous look of furniture front panels. Only a few reveals are visible on large format front panels anyway. Elegant fascias reduce the number of reveals to a minimum. Easy precision adjustment provides superb finished results with perfect reveal alignment.



Functionality: First easy. Then quiet. Sliding doors are particularly good at meeting the demands that users place on cabinet doors today: they are easy to open and close. The ergonomic benefit provided by the linear door action of sliding doors is optimised further still by low opening forces. The convenient Silent System closes the sliding door quietly and gently. Altogether, Hettich sliding door systems leave no margin for doubt with reliable quality, superb smooth running action and a long service life.

Sliding and folding door systems

▶ Summary of ranges

Sliding door systems / top running Summary	7 – 36	
Sliding door systems / bottom running Range summary / technical comparison	39 – 83	
Swivel / retractable door systems Range summary / technical comparison	85 – 108	
Folding door systems Range summary / technical comparison	111 – 143	
Sliding and folding door systems Overview of Additional systems	147 – 159	
Technical information <ul style="list-style-type: none">▶ Calculating door weights▶ Design advice sliding door systems▶ Quality criteria	160 – 161 162 – 164 165	



TopLine L set / in front of the top panel



Page	8 – 36
Description	Top running sliding door system for large cabinets with 1, 2, or 3 doors
Number of runners	2
Door action	Horizontal
Door position	Overlay
Door weight	50 kg max.
Door material	Wood / wood, aluminium
Door width mm	700 - 1500 mm
Door height mm	2600 mm max.
Silent System	Soft closing, soft opening, soft guiding

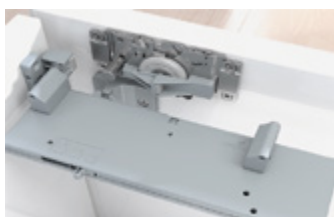
Sliding door system / top running

- ▶ TopLine L / overlay door position / door movement in front of top panel
- ▶ All the benefits at a glance



Multitalented system with many qualities. TopLine L is particularly adaptable and provides the last word in user friendliness when it comes to installation and adjustment. TopLine L gives you an easy time, for example, when you need to even out tolerances. The Silent Systems create a

feel of luxury that speaks to the senses on opening and closing. Even heavy, large doors reliably close with a mere whisper. With door movement in front of or on the top panel, TopLine L is suitable for 2 / 3-door cabinet designs, for wood and aluminium framed fronts.



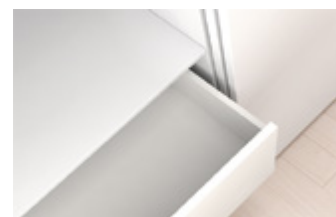
Quiet and gentle: Silent System evenly opens and closes any sliding door.



Added convenience, day in, day out: with Silent System, doors open in response to a gentle push.



Fascinating front panels: flush opening handleless doors with soft closing and soft opening function.



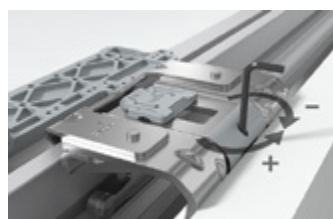
Ready for wide: flush opening doors for wide internal drawers.



All rounder: a single system for wooden doors in thicknesses up to 40 mm and aluminium fronts with a frame width of 50 mm and over.



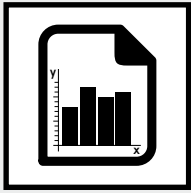
Easy door installation: hook doors into runner profile, clip guide components in at the bottom - job done!



Perfect reveal alignment made easy: height adjustment function easy to reach with doors in place.

Sliding door system / top running

- ▶ TopLine L / overlay door position / door movement in front of top panel
- ▶ Summary



Performance summary

10 – 11

- ▶ Technical details in brief
- ▶ Door sizes
- ▶ Silent System
- ▶ Operating principle



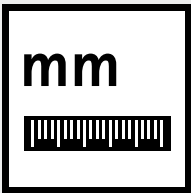
System component quick finder

12 – 13



System components

14 – 27



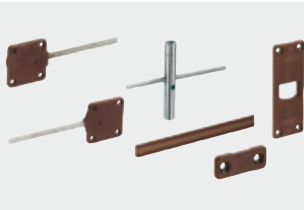
Planning dimensions

28 – 34



Installation

35 – 36



Accessories

144 – 145



Technical information

- ▶ Calculating door weights
- ▶ Design advice sliding door systems
- ▶ Quality criteria

160 – 161

162 – 164

165

Sliding door system / top running

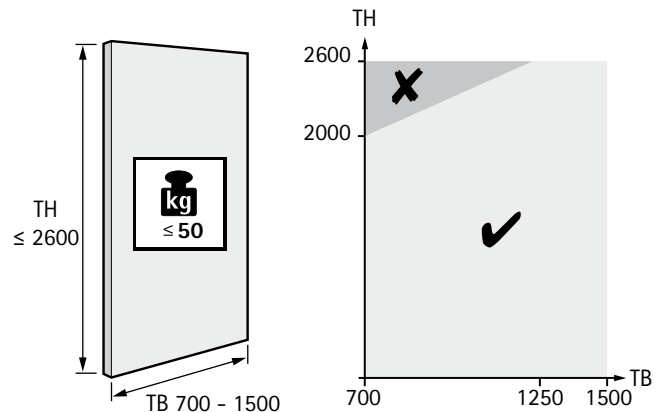


- ▶ TopLine L / overlay door position / door movement in front of top panel
- ▶ Performance summary

Technical details in brief

- ▶ 2-track, top running sliding door system
- ▶ Overlay door position
- ▶ For wooden doors or wood / aluminium framed doors
- ▶ Door weight up to 50 kg
- ▶ Door height up to 2600 mm
- ▶ Door width 700 - 1500 mm
- ▶ Door thicknesses 16, 18, 19, 21, 22, 25 mm
- ▶ Height adjustment +/- 3 mm
- ▶ Door opening options: fully overlapping or offset when using projecting handles
- ▶ Fast installation of guide components
- ▶ Silent System in opening and closing direction
- ▶ Tested to DIN EN 15706, Level 3

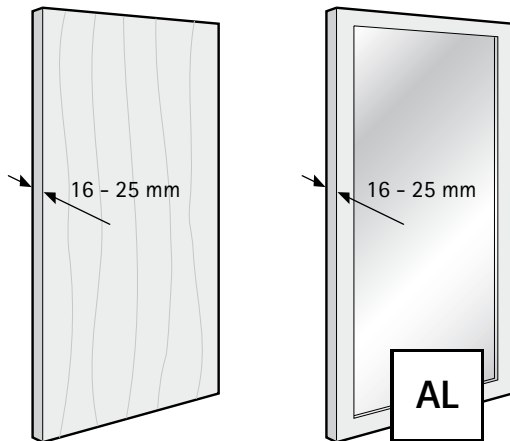
Door format and door weight



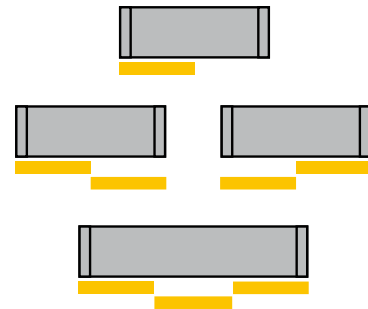
TB	700	800	900	1000	1100	1200	1250	...	1500
TH ≤	2000	2109	2218	2327	2436	2545	2600	...	2600



Door material



Number of door wings and door position



Silent System

	1-door	2-door	3-door	
Soft closing				
Soft opening				

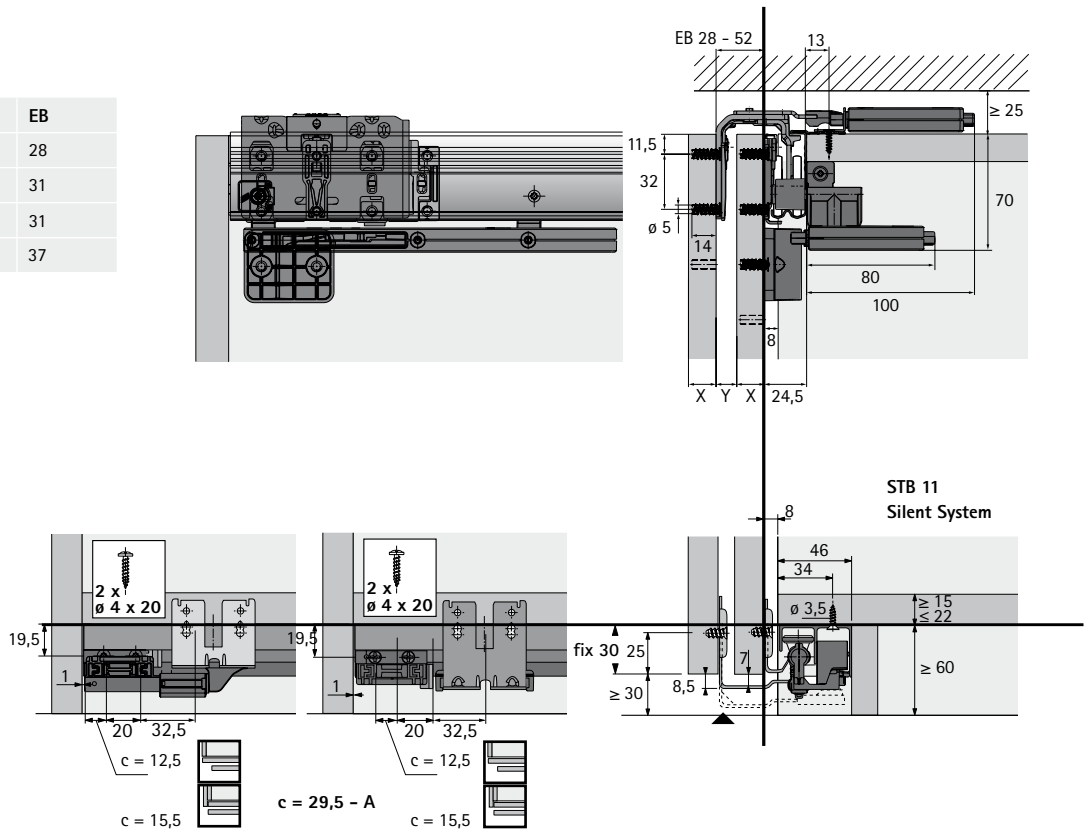
Sliding door system / top running



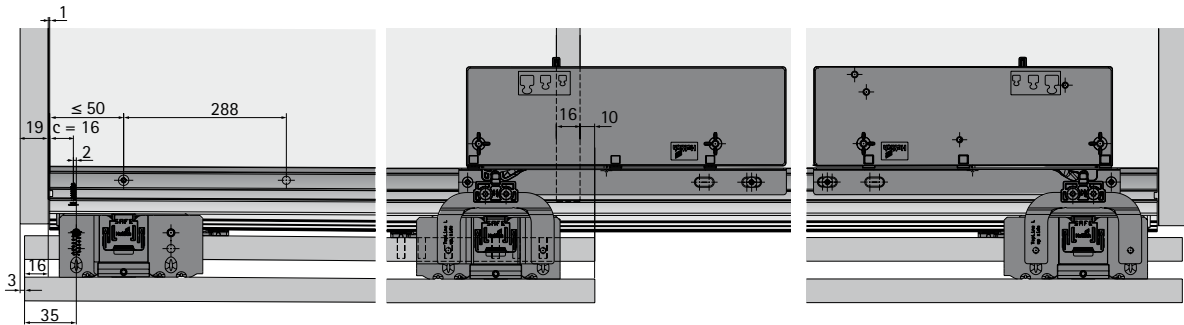
- ▶ TopLine L / overlay door position / door movement in front of top panel
- ▶ Performance summary

Operating principle / installation dimensions

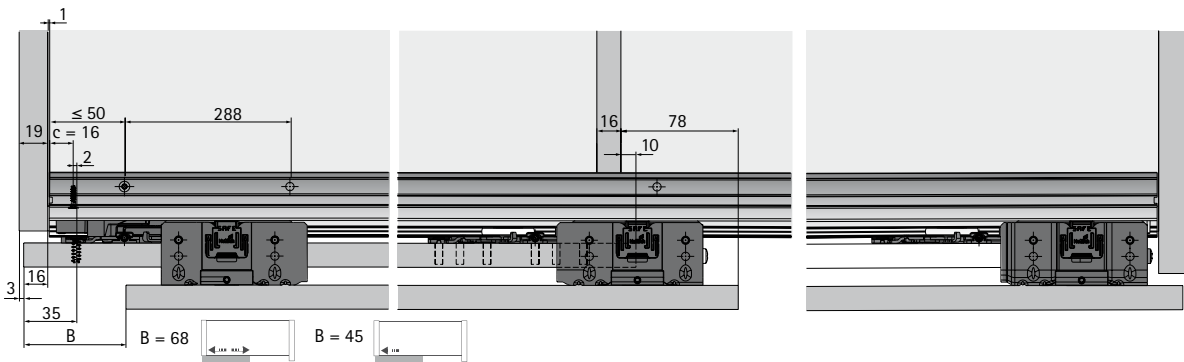
X	Y	EB
16	12	28
18	13	31
19	12	31
25	12	37



Operating principle / flush opening



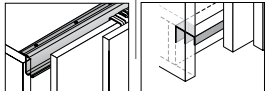



Operating principle / offset opening




Sliding door system / top running



- ▶ TopLine L / overlay door position / door movement in front of top panel
- ▶ System component quick finder

Sets of fittings with guide profile in front of the plinth (STB 11)



		2 door 		Further detail Pages 12-15		2 door 		Further detail Pages 16-19	
		front most door left		rear door right		rear door left		front most door right	
offset 	Max. 16 mm EB 28	9 206 483	+	9 206 506		9 206 505	+	9 206 483	
	Max. 19 mm EB 31	9 206 500	+	9 206 506		9 206 505	+	9 206 500	
	Max. 25 mm EB 37	9 206 502	+	9 206 506		9 206 505	+	9 206 502	
	Set accessories	9 206 309				9 206 309			

flush 	Max. 16 mm EB 28	9 206 483	+	9 206 508		9 206 508	+	9 206 483
	Max. 19 mm EB 31	9 206 500	+	9 206 508		9 206 508	+	9 206 500
	Max. 25 mm EB 37	9 206 502	+	9 206 508		9 206 508	+	9 206 502
	Set accessories	9 206 311				9 206 311		


Silent System soft closing

	offset 	9 169 651 (EB 28 - 37)		9 169 651 (EB 28 - 37)
	flush 	9 169 654		9 169 655

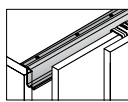
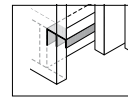
Silent System soft opening

	offset 	9 169 637		9 169 637
	flush 	9 169 638		9 169 640

Silent System soft guiding

		9 199 769
---	--	-----------

Profiles

Further detail Pg 24	Material	Finish	Length mm	Order no.
	Aluminium	anodised	3000	0 071 111
	Aluminium	bright	3000	0 071 117

Sliding door system / top running

- ▶ TopLine L / overlay door position / door movement in front of top panel
- ▶ System component quick finder

Sets of fittings with guide profile in front of the plinth (STB 11)

3 door								Further detail Pages 22-23		
rear door left			centre door			rear door right				
9 206 505	+		9 206 483	+		9 206 506				
9 206 505	+		9 206 500	+		9 206 506				
9 206 505	+		9 206 502	+		9 206 506				
9 206 310										

9 206 508	+		9 206 483	+		9 206 508				
9 206 508	+		9 206 500	+		9 206 508				
9 206 508	+		9 206 502	+		9 206 508				
9 206 313										

Silent System soft closing

9 169 653 + 9 140 438

9 169 653 + 9 140 438

Silent System soft opening

9 169 656

9 169 656

Silent System soft guiding

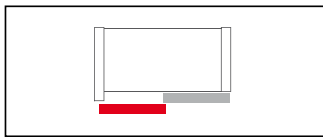
9 199 769

Profiles

Material	Finish	Length mm	Order no.				
Aluminium	anodised	3000	0 071 111				
Aluminium	bright	3000	0 071 117				

- ▶ TopLine L / overlay door position / door movement in front of top panel
- ▶ System components / 2-door / front most door on left

Front most door set



- ▶ Offset opening for applications with door handles or finger pulls (door offset: 45 mm)
- ▶ Flush opening for handleless applications and when using internal drawers (door offset: 0 mm)
- ▶ Runner system below STB 11 bottom panel
- ▶ Sets with door centre distance EB 37 mm include fixing screws for aluminium framed doors

Set comprises:

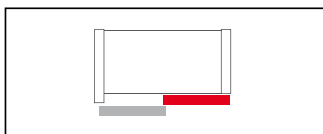
- ▶ 2 running components for one front most door
- ▶ 2 guide components for one front most door
- ▶ Fixing material

Advice:

- ▶ Please order Silent System and profiles separately
- ▶ 2-door: please order a front most door set

Max. door thickness mm	Door centre distance (EB) mm	Order no.	PU
16	28	9 206 483	1 set
19	31	9 206 500	1 set
25	37	9 206 502	1 set

Rear most door set for offset opening



- ▶ Offset opening for applications with door handles or finger pulls (door offset: 45 mm)
- ▶ Runner system below STB 11 bottom panel

Set comprises:

- ▶ 2 running components for one rear most door
- ▶ 2 guide components for one rear most door
- ▶ 2 mounting aids
- ▶ Fixing material

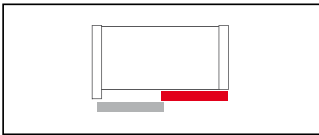
Advice:

- ▶ Please order Silent System and profiles separately
- ▶ 2-door: please order a rear most door set

Version	Order no.	PU
Right rear most door	9 206 506	1 set

- ▶ TopLine L / overlay door position / door movement in front of top panel
- ▶ System components / 2-door / front most door on left

Rear most door set for flush opening



- ▶ Flush opening for handleless applications and when using internal drawers (door offset: 0 mm)
- ▶ Runner system below STB 11 bottom panel

Set comprises:

- ▶ 2 running components for one rear most door
- ▶ 2 guide components for one rear most door
- ▶ 2 mounting aids
- ▶ Fixing material

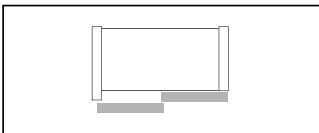
Advice:

- ▶ Please order Silent System and profiles separately
- ▶ 2-door: please order a rear most door set



Order no.	PU
9 206 508	1 set

Accessory set for offset opening



- ▶ Offset opening for applications with door handles or finger pulls (door offset: 45 mm)
- ▶ Contains all of the accessory components for installing the profiles of a preassembled 2-door cabinet (profile mounting screws not included)

Set comprises:

- ▶ 2 support blocks for the runner profile
- ▶ 2 end stops for the runner profile
- ▶ 2 end stops for the guide profile
- ▶ Fixing material

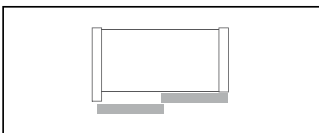
Advice:

- ▶ 1x accessory set required per offset 2-door cabinet



Order no.	PU
9 206 309	1 set

Accessory set for flush opening



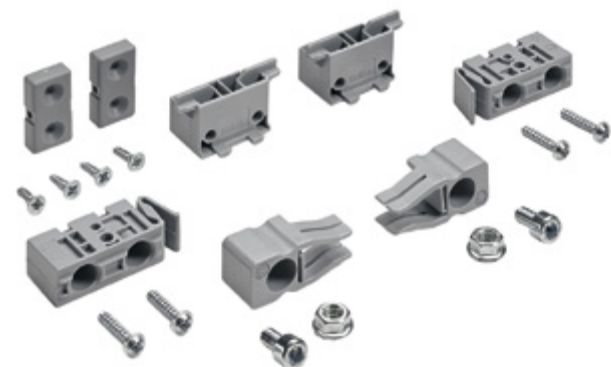
- ▶ Flush opening for handleless applications and when using internal drawers (door offset: 0 mm)
- ▶ Contains all of the accessory components for installing the profiles of a preassembled 2-door cabinet (profile mounting screws not included)

Set comprises:

- ▶ 2 support blocks for the runner profile
- ▶ 2 end stops for the runner profile
- ▶ 2 end stops for the guide profile
- ▶ Fixing material

Advice:

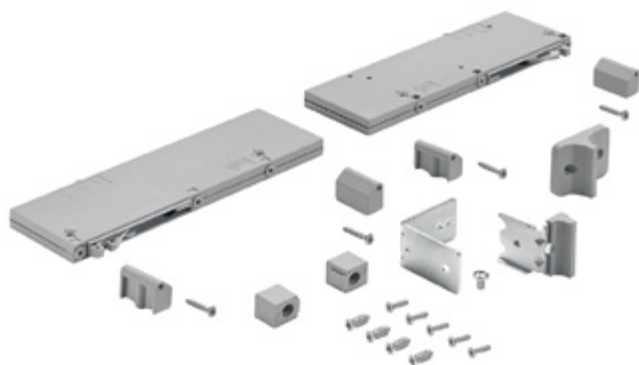
- ▶ 1x accessory set required per flush 2-door cabinet



Order no.	PU
9 206 311	1 set

- ▶ TopLine L / overlay door position / door movement in front of top panel
- ▶ System components / 2-door / front most door on left

Silent System soft closing set for offset opening

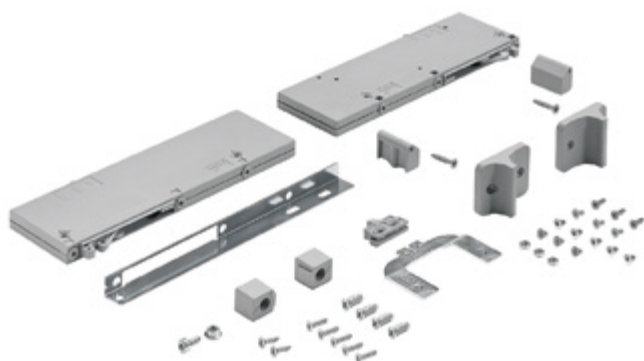


- ▶ Quietly and gently closing sliding doors
- ▶ Little effort required for easy door movement
- ▶ Adjustable self closing for reliably closing doors of widely differing weights
- ▶ Reserve capacity for heavy doors

- Set comprises:
- ▶ 2 soft closing elements
 - ▶ 2 activators
 - ▶ 4 mounting adapters
 - ▶ 2 end stops
 - ▶ Fixing material

Version	Order no.	PU
EB 28-37	9 169 651	1 set

Set, Silent System soft closing, for flush opening

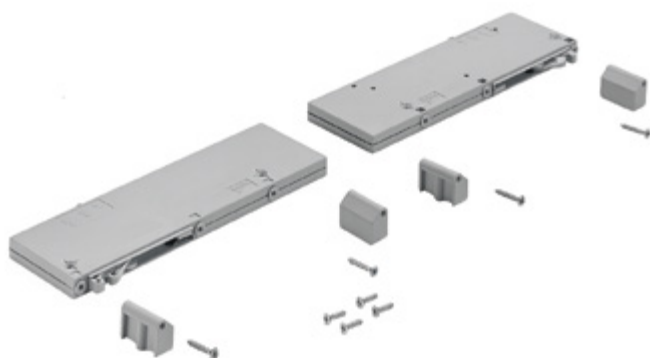


- ▶ Quietly and gently closing sliding doors
- ▶ Little effort required for easy door movement
- ▶ Adjustable self closing for reliably closing doors of widely differing weights
- ▶ Reserve capacity for heavy doors

- Set comprises:
- ▶ 2 soft closing elements
 - ▶ 3 activators
 - ▶ 1 metal connector for top panel mounting
 - ▶ 2 mounting adapters
 - ▶ 2 end stops
 - ▶ Fixing material

Version	Order no.	PU
front most door, left	9 169 654	1 set

Silent System soft opening set for offset opening



- ▶ Quietly and gently opening sliding doors
- ▶ Little effort required for easy door movement
- ▶ Adjustable self closing for reliably closing doors of widely differing weights
- ▶ Reserve capacity for heavy doors

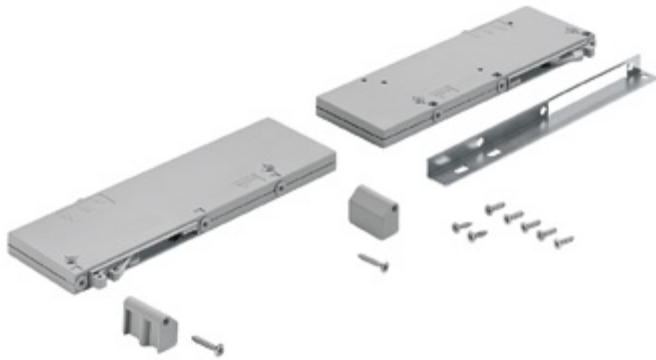
- Set comprises:
- ▶ 2 soft opening elements
 - ▶ 4 mounting adapters
 - ▶ Fixing material

Order no.	PU
9 169 637	1 set

Sliding door system / top running

- ▶ TopLine L / overlay door position / door movement in front of top panel
- ▶ System components / 2-door / front most door on left

Silent System soft opening set for flush opening



- ▶ Quietly and gently opening sliding doors
- ▶ Little effort required for easy door movement
- ▶ Adjustable self closing for reliably closing doors of widely differing weights
- ▶ Reserve capacity for heavy doors

Set comprises:

- ▶ 2 soft opening elements
- ▶ 1 metal connector for top panel mounting
- ▶ 2 mounting adapters
- ▶ Fixing material

Order no.	PU
9 169 638	1 set

Silent System soft guiding set



- ▶ Additional Silent System support for the lower part of the cabinet
- ▶ Optimised linear door movement: no door swaying, particularly with large and heavy doors
- ▶ Silent System soft guiding replaces STB 11 end stops in the guide profile - no additional drillings necessary

Set comprises:

- ▶ 2 soft guiding elements
- ▶ 3 activators
- ▶ 2 Silent System mounts
- ▶ Fixing material

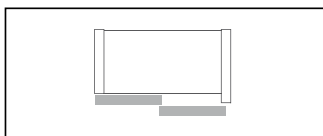
Advice:

- ▶ Max. door overlay 17 mm
- ▶ Can be used for offset opening (door offset: 45 mm)
- ▶ For flush opening (door offset: 0 mm) the guide components can be moved by 45 mm towards the door centre without activator and fastened in place (repositioning drilling pattern)

Order no.	PU
9 199 769	1 set

- ▶ TopLine L / overlay door position / door movement in front of top panel
- ▶ System components / 2-door / front most door on right

Front most door set



- ▶ Offset opening for applications with door handles or finger pulls (door offset: 45 mm)
- ▶ Flush opening for handleless applications and when using internal drawers (door offset: 0 mm)
- ▶ Runner system below STB 11 bottom panel
- ▶ Sets with door centre distance EB 37 mm include fixing screws for aluminium framed doors

Set comprises:

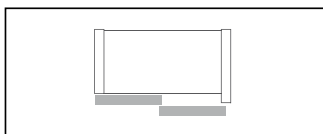
- ▶ 2 running components for one front most door
- ▶ 2 guide components for one front most door
- ▶ Fixing material

Advice:

- ▶ Please order Silent System and profiles separately
- ▶ 2-door: please order a front most door set

Max. door thickness mm	Door centre distance (EB) mm	Order no.	PU
16	28	9 206 483	1 set
19	31	9 206 500	1 set
25	37	9 206 502	1 set

Rear most door set for offset opening



- ▶ Offset opening for applications with door handles or finger pulls (door offset: 45 mm)
- ▶ Runner system below STB 11 bottom panel

Set comprises:

- ▶ 2 running components for one rear most door
- ▶ 2 guide components for one rear most door
- ▶ 2 mounting aids
- ▶ Fixing material

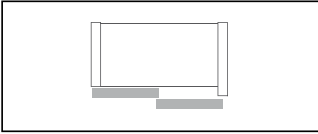
Advice:

- ▶ Please order Silent System and profiles separately
- ▶ 2-door: please order a rear most door set

Version	Order no.	PU
Left rear most door	9 206 505	1 set

- ▶ TopLine L / overlay door position / door movement in front of top panel
- ▶ System components / 2-door / front most door on right

Rear most door set for flush opening



- ▶ Flush opening for handleless applications and when using internal drawers (door offset: 0 mm)
- ▶ Runner system below STB 11 bottom panel

Set comprises:

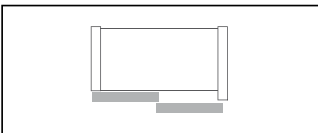
- ▶ 2 running components for one rear most door
- ▶ 2 guide components for one rear most door
- ▶ 2 mounting aids
- ▶ Fixing material

Advice:

- ▶ Please order Silent System and profiles separately
- ▶ 2-door: please order a rear most door set

Order no.	PU
9 206 508	1 set

Accessory set for offset opening



- ▶ Offset opening for applications with door handles or finger pulls (door offset: 45 mm)
- ▶ Contains all of the accessory components for installing the profiles of a preassembled 2-door cabinet (profile mounting screws not included)

Set comprises:

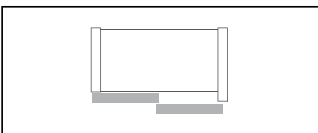
- ▶ 2 support blocks for the runner profile
- ▶ 2 end stops for the runner profile
- ▶ 2 end stops for the guide profile
- ▶ Fixing material

Advice:

- ▶ 1x accessory set required per offset 2-door cabinet

Order no.	PU
9 206 309	1 set

Accessory set for flush opening



- ▶ Flush opening for handleless applications and when using internal drawers (door offset: 0 mm)
- ▶ Contains all of the accessory components for installing the profiles of a preassembled 2-door cabinet (profile mounting screws not included)

Set comprises:

- ▶ 2 support blocks for the runner profile
- ▶ 2 end stops for the runner profile
- ▶ 2 end stops for the guide profile
- ▶ Fixing material

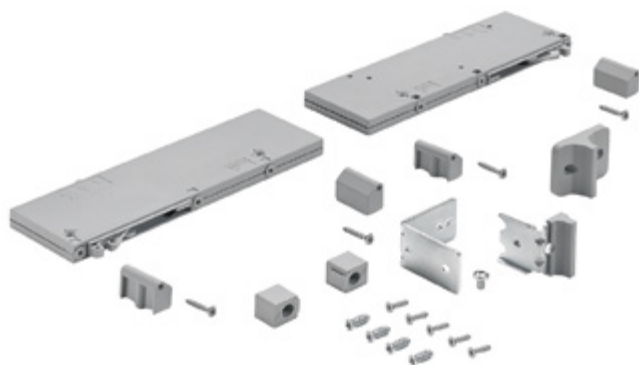
Advice:

- ▶ 1x accessory set required per flush 2-door cabinet

Order no.	PU
9 206 311	1 set

- ▶ TopLine L / overlay door position / door movement in front of top panel
- ▶ System components / 2-door / front most door on right

Silent System soft closing set for offset opening

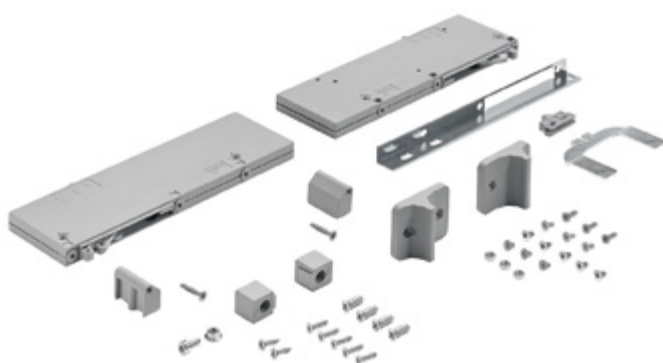


- ▶ Quietly and gently closing sliding doors
- ▶ Little effort required for easy door movement
- ▶ Adjustable self closing for reliably closing doors of widely differing weights
- ▶ Reserve capacity for heavy doors

- Set comprises:
- ▶ 2 soft closing elements
 - ▶ 2 activators
 - ▶ 4 mounting adapters
 - ▶ 2 end stops
 - ▶ Fixing material

Version	Order no.	PU
EB 28-37	9 169 651	1 set

Set, Silent System soft closing, for flush opening

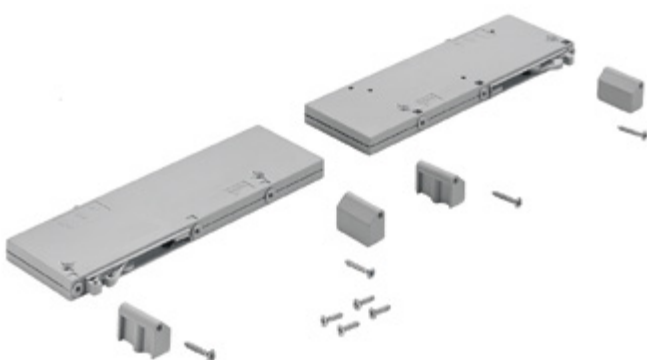


- ▶ Quietly and gently closing sliding doors
- ▶ Little effort required for easy door movement
- ▶ Adjustable self closing for reliably closing doors of widely differing weights
- ▶ Reserve capacity for heavy doors

- Set comprises:
- ▶ 2 soft closing elements
 - ▶ 3 activators
 - ▶ 1 metal connector for top panel mounting
 - ▶ 2 mounting adapters
 - ▶ 2 end stops
 - ▶ Fixing material

Version	Order no.	PU
front most door, right	9 169 655	1 set

Silent System soft opening set for offset opening



- ▶ Quietly and gently opening sliding doors
- ▶ Little effort required for easy door movement
- ▶ Adjustable self closing for reliably closing doors of widely differing weights
- ▶ Reserve capacity for heavy doors

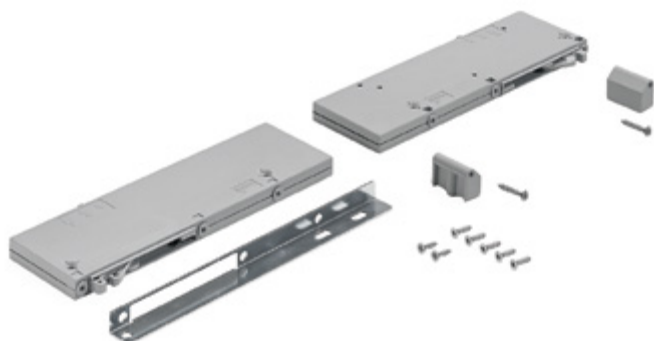
- Set comprises:
- ▶ 2 soft opening elements
 - ▶ 4 mounting adapters
 - ▶ Fixing material

Order no.	PU
9 169 637	1 set

Sliding door system / top running

- ▶ TopLine L / overlay door position / door movement in front of top panel
- ▶ System components / 2-door / front most door on right

Silent System soft opening set for flush opening



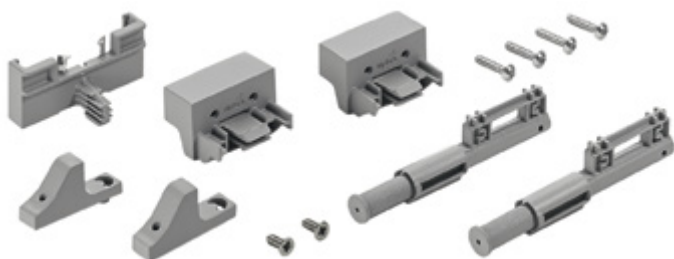
- ▶ Quietly and gently opening sliding doors
- ▶ Little effort required for easy door movement
- ▶ Adjustable self closing for reliably closing doors of widely differing weights
- ▶ Reserve capacity for heavy doors

Set comprises:

- ▶ 2 soft opening elements
- ▶ 1 metal connector for top panel mounting
- ▶ 2 mounting adapters
- ▶ Fixing material

Order no.	PU
9 169 640	1 set

Silent System soft guiding set



- ▶ Additional Silent System support for the lower part of the cabinet
- ▶ Optimised linear door movement: no door swaying, particularly with large and heavy doors
- ▶ Silent System soft guiding replaces STB 11 end stops in the guide profile - no additional drillings necessary

Set comprises:

- ▶ 2 soft guiding elements
- ▶ 3 activators
- ▶ 2 Silent System mounts
- ▶ Fixing material

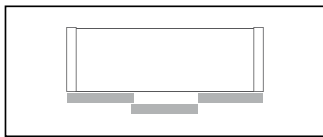
Advice:

- ▶ Max. door overlay 17 mm
- ▶ Can be used for offset opening (door offset: 45 mm)
- ▶ For flush opening (door offset: 0 mm) the guide components can be moved by 45 mm towards the door centre without activator and fastened in place (repositioning drilling pattern)

Order no.	PU
9 199 769	1 set

- ▶ TopLine L / overlay door position / door movement in front of top panel
- ▶ System components / 3-door

Front most door set



- ▶ Offset opening for applications with door handles or finger pulls (door offset: 45 mm)
- ▶ Flush opening for handleless applications and when using internal drawers (door offset: 0 mm)
- ▶ Runner system below STB 11 bottom panel
- ▶ Sets with door centre distance EB 37 mm include fixing screws for aluminium framed doors

Set comprises:

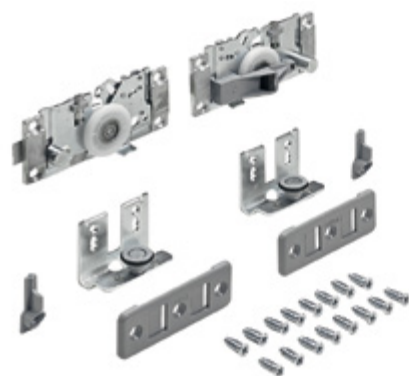
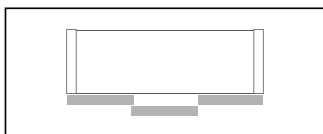
- ▶ 2 running components for one front most door
- ▶ 2 guide components for one front most door
- ▶ Fixing material

Advice:

- ▶ Please order Silent System and profiles separately
- ▶ 3-door: please order a front most door set

Max. door thickness mm	Door centre distance (EB) mm	Order no.	PU
16	28	9 206 483	1 set
19	31	9 206 500	1 set
25	37	9 206 502	1 set

Rear most door set for offset opening



- ▶ Offset opening for applications with door handles or finger pulls (door offset: 45 mm)
- ▶ Runner system below STB 11 bottom panel

Set comprises:

- ▶ 2 running components for one rear most door
- ▶ 2 guide components for one rear most door
- ▶ 2 mounting aids
- ▶ Fixing material

Advice:

- ▶ Please order Silent System and profiles separately
- ▶ 3-door: please order a left hand rear most door set and a right hand rear most door set

Version	Order no.	PU
Left rear most door	9 206 505	1 set
Right rear most door	9 206 506	1 set

- ▶ TopLine L / overlay door position / door movement in front of top panel
- ▶ System components / 3-door

Rear most door set for flush opening



- ▶ Flush opening for handleless applications and when using internal drawers (door offset: 0 mm)
- ▶ Runner system below STB 11 bottom panel

Set comprises:

- ▶ 2 running components for one rear most door
- ▶ 2 guide components for one rear most door
- ▶ 2 mounting aids
- ▶ Fixing material

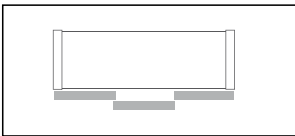
Advice:

- ▶ Please order Silent System and profiles separately
- ▶ 3-door: please order two rear most door sets



Order no.	PU
9 206 508	1 set

Accessory set for offset opening



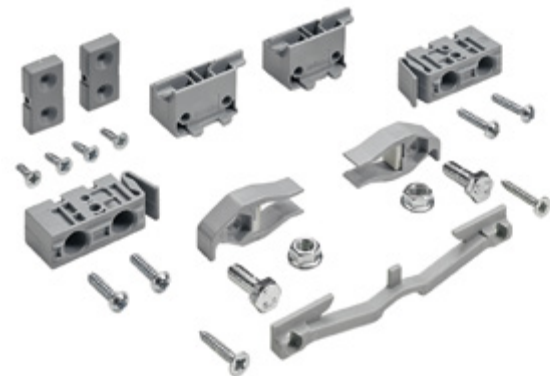
- ▶ Offset opening for applications with door handles or finger pulls (door offset: 45 mm)
- ▶ Contains all of the accessory components for installing the profiles of a preassembled 2-door cabinet (profile mounting screws not included)

Set comprises:

- ▶ 2 support blocks for the runner profile
- ▶ 2 end stops for the runner profile
- ▶ 2 end stops for the guide profile
- ▶ 1 centre stop
- ▶ Fixing material

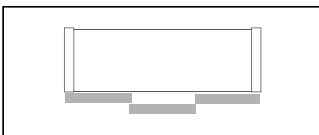
Advice:

- ▶ 1x accessory set required per offset 3-door cabinet



Order no.	PU
9 206 310	1 set

Accessory set for flush opening



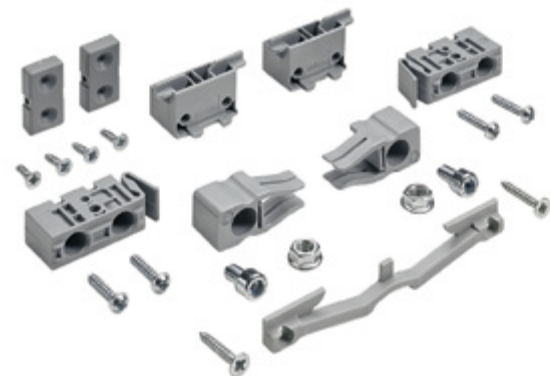
- ▶ Flush opening for handleless applications and when using internal drawers (door offset: 0 mm)
- ▶ Contains all of the accessory components for installing the profiles of a preassembled 2-door cabinet (profile mounting screws not included)

Set comprises:

- ▶ 2 support blocks for the runner profile
- ▶ 2 end stops for the runner profile
- ▶ 2 end stops for the guide profile
- ▶ 1 centre stop
- ▶ Fixing material

Advice:

- ▶ 1x accessory set required per flush 3-door cabinet



Order no.	PU
9 206 313	1 set

- ▶ TopLine L / overlay door position / door movement in front of top panel
- ▶ System components / 3-door

Silent System soft closing set for centre door

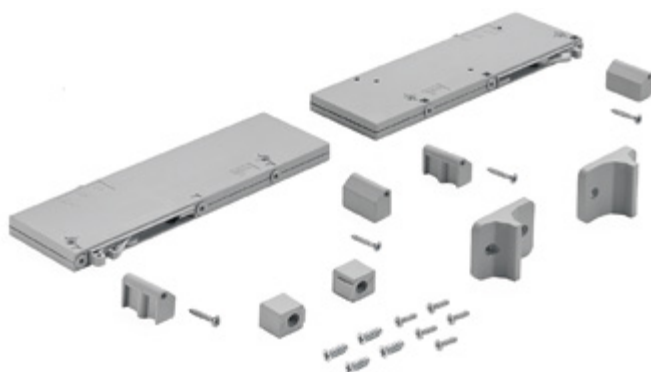


- ▶ Quietly and gently closing centre door of 3-door cabinets
- ▶ Little effort required for easy door movement
- ▶ Centre door can be opened from both sides
- ▶ Concealed installation on the top panel

- Set comprises:
- ▶ 1 soft closing element for the centre door
 - ▶ 1 activator
 - ▶ Fixing material

Order no.	PU
9 140 438	1 set

Silent System soft closing set for LH & RH rear doors



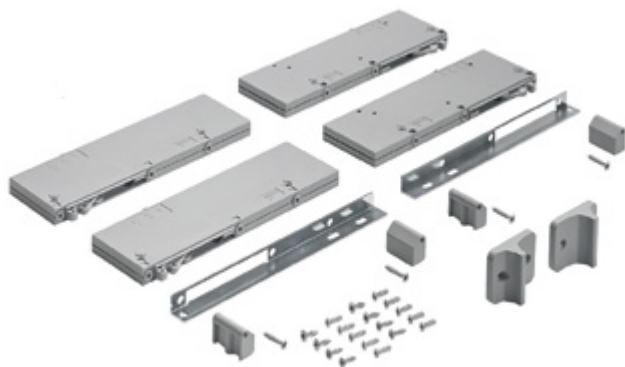
- ▶ Quietly and gently opening sliding doors
- ▶ Low opening force for easy door movement
- ▶ Adjustable self closing for reliably closing doors of widely differing weights
- ▶ Reserve capacity for heavy doors

- Set comprises:
- ▶ 2 soft closing elements for the rear most doors
 - ▶ 2 activators
 - ▶ 4 mounting adapters
 - ▶ 2 end stops
 - ▶ Fixing material

- Advice:
- ▶ 3-door: soft closing for rear most doors

Door offset in mm	Version	Order no.	PU
Offset / flush opening	Upgrade set	9 169 653	1 set

Silent System soft opening set for all 3 doors



- ▶ Quietly and gently opening sliding doors
- ▶ Little effort required for easy door movement
- ▶ Adjustable self closing for reliably closing doors of widely differing weights
- ▶ Reserve capacity for heavy doors

- Set comprises:
- ▶ 4 soft opening elements
 - ▶ 2 activators
 - ▶ 2 metal connectors for top panel mounting
 - ▶ 4 mounting adapters
 - ▶ Fixing material

- Advice:
- ▶ 3-door: soft opening for all doors

Door offset in mm	Version	Order no.	PU
Offset / flush opening	Upgrade set	9 169 656	1 set

- ▶ TopLine L / overlay door position / door movement in front of top panel
- ▶ System components / 3-door

Silent System soft guiding set



- ▶ Additional Silent System support for the lower part of the cabinet
- ▶ Optimised linear door movement: no door swaying, particularly with large and heavy doors
- ▶ Silent System soft guiding replaces STB 11 end stops in the guide profile - no additional drillings necessary

Set comprises:

- ▶ 2 soft guiding elements
- ▶ 3 activators
- ▶ 2 Silent System mounts
- ▶ Fixing material

Advice:

- ▶ Max. door overlay 17 mm
- ▶ Can be used for offset opening (door offset: 45 mm)
- ▶ For flush opening (door offset: 0 mm) the guide components can be moved by 45 mm towards the door centre without activator and fastened in place (repositioning drilling pattern)

Order no.	PU
9 199 769	1 set

Sliding door system / top running

- ▶ TopLine L / overlay door position / door movement in front of top panel
- ▶ System components / 2- and 3-door

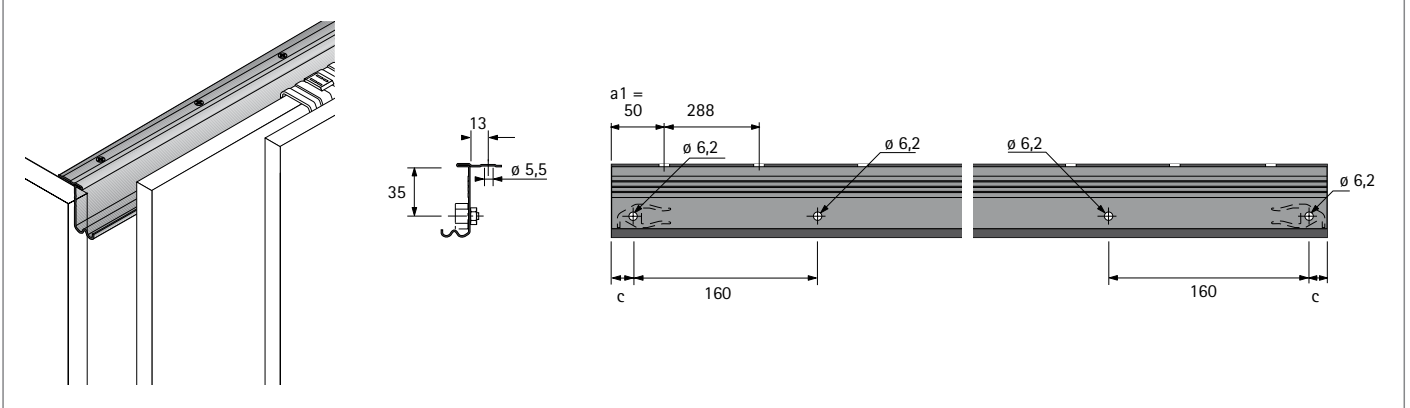
Runner profile for installing in front of top panel



- ▶ For installing in front of the carcass top panel
- ▶ Aluminium, silver anodized
- ▶ Quantity for 2-door: 1 each
- ▶ Quantity for 3-door: 1 each

Length mm	Order no.	PU
3000	0 071 111	1/4 ea.

Installation / dimensional drawing



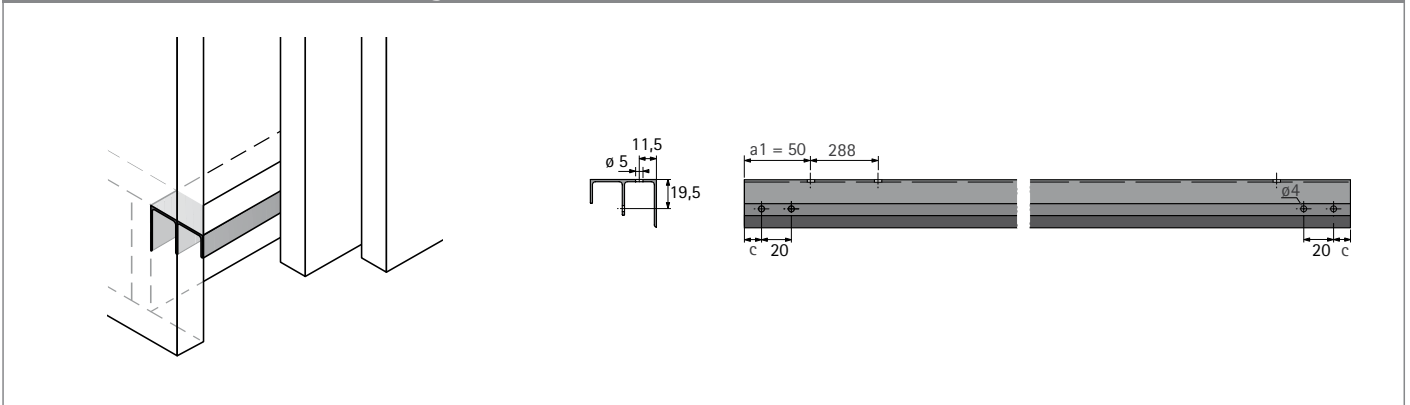
STB 11 guide profile



- ▶ Aluminium, bright

Length mm	Order no.	PU
3000	0 071 117	1/4 ea.

Installation / dimensional drawing



Sliding door system / top running



- ▶ TopLine L / overlay door position / door movement in front of top panel
- ▶ System components

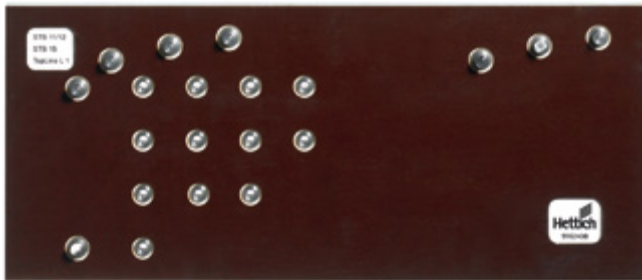
Profile marking template



- ▶ For marking position of end stop and Silent System
- ▶ For the runner profile in front of top panel
- ▶ Plastic, grey

Order no.	PU
9 190 925	1 ea.

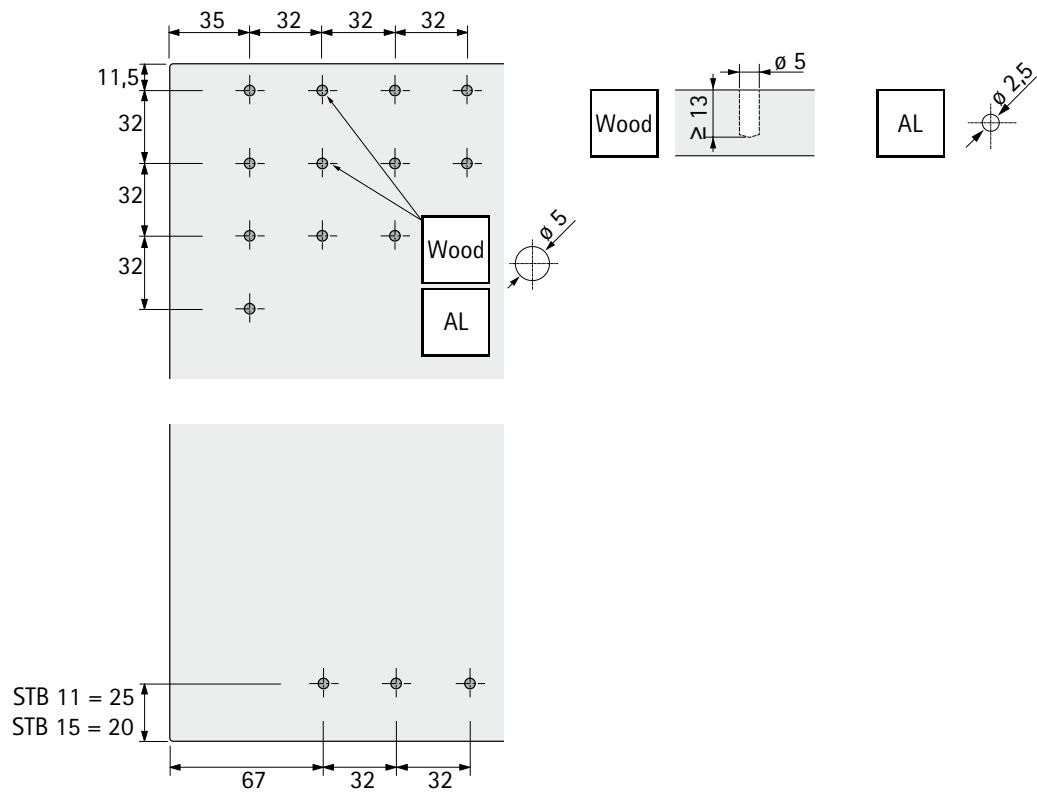
TopLine L drilling jig



- ▶ Hardened steel drilling bushes for 5 mm drill bits with depth setting ring
- ▶ For drilling TopLine L door drilling pattern
- ▶ Plywood

Order no.	PU
9 186 075	1 ea.

Drilling pattern

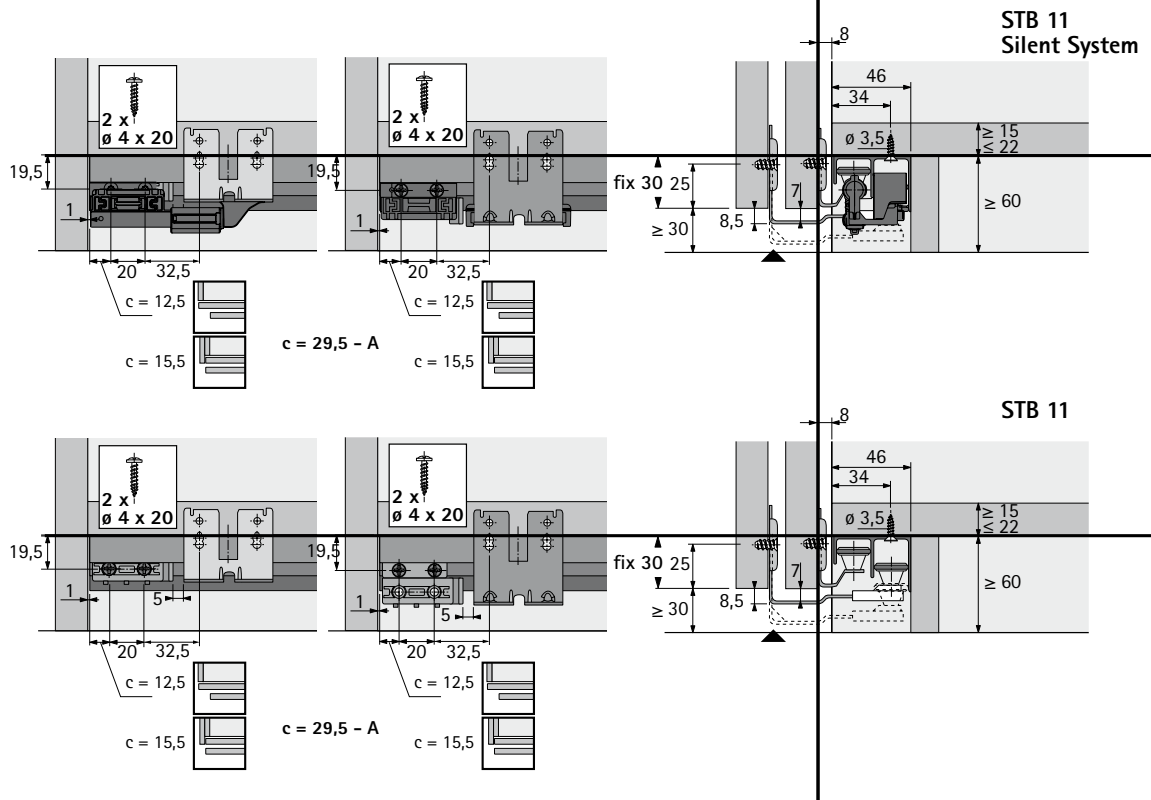
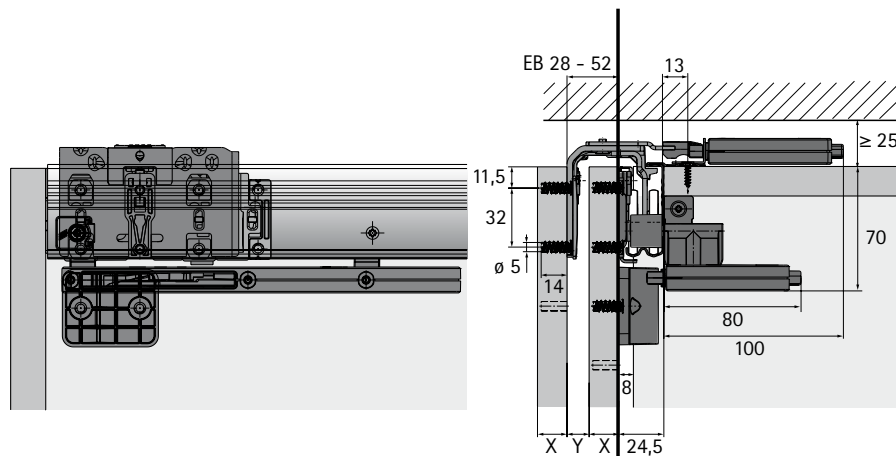


Sliding door system / top running

- ▶ TopLine L / overlay door position / door movement in front of top panel
- ▶ Planning dimensions

Installation dimensions for runner system

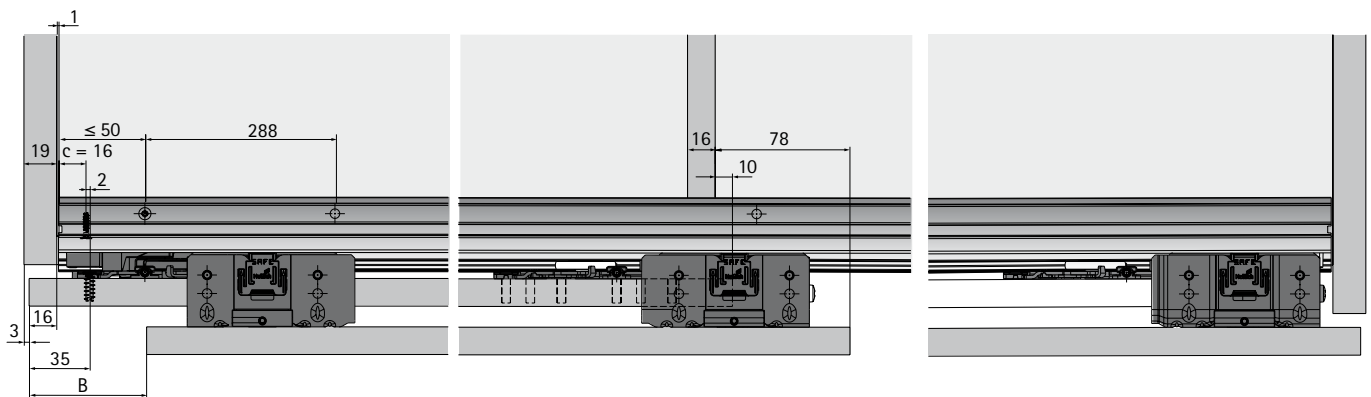
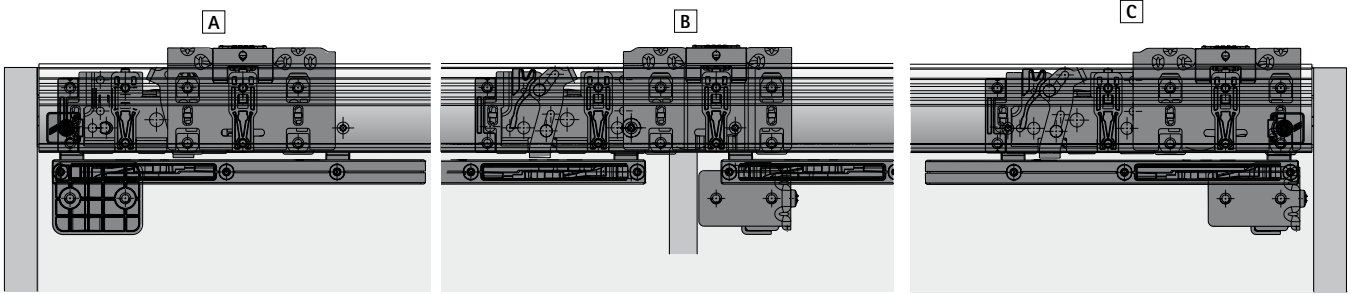
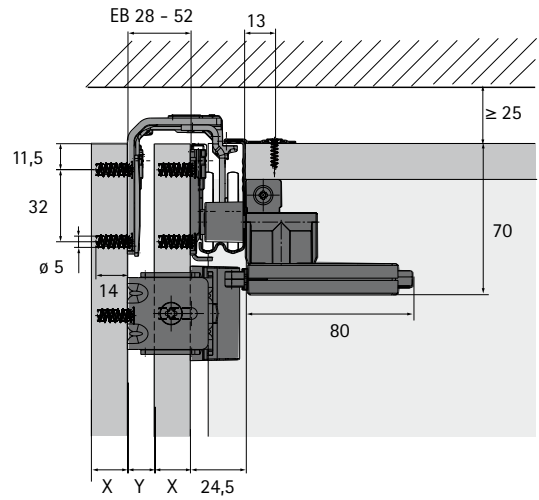
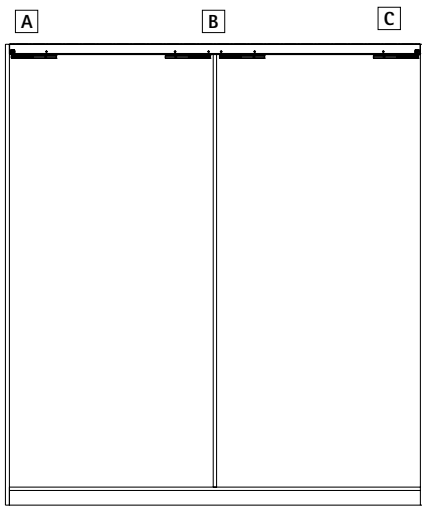
X	Y	EB
16	12	28
18	13	31
19	12	31
25	12	37



Sliding door system / top running

- ▶ TopLine L / overlay door position / door movement in front of top panel
- ▶ Planning dimensions

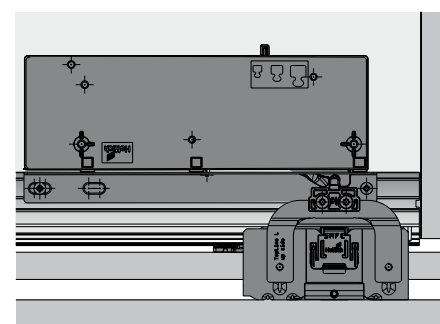
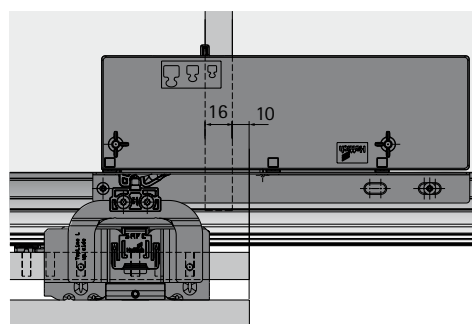
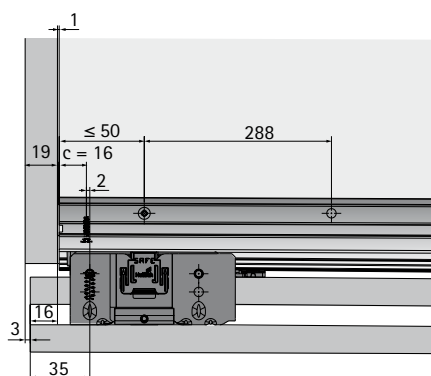
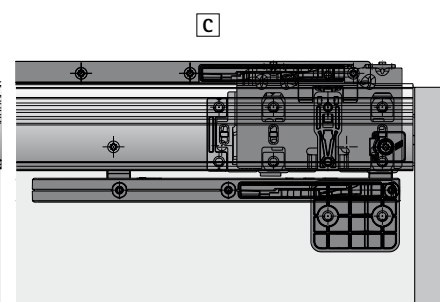
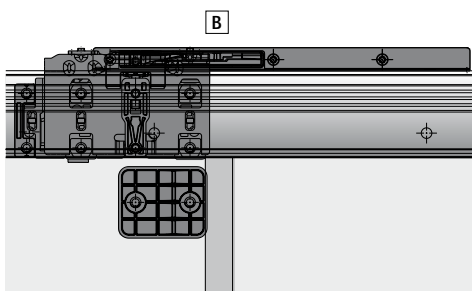
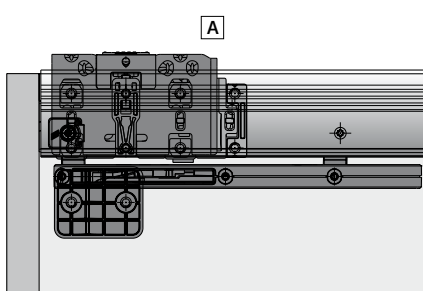
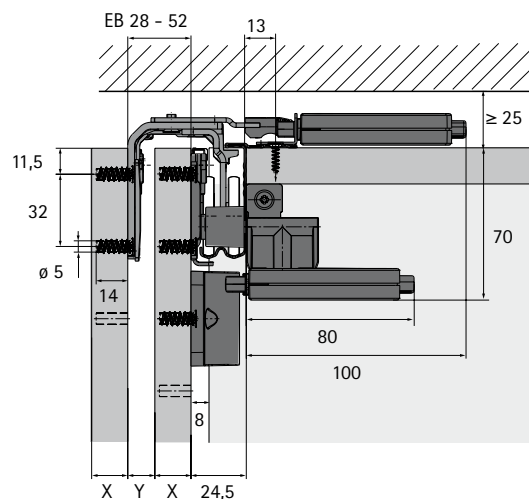
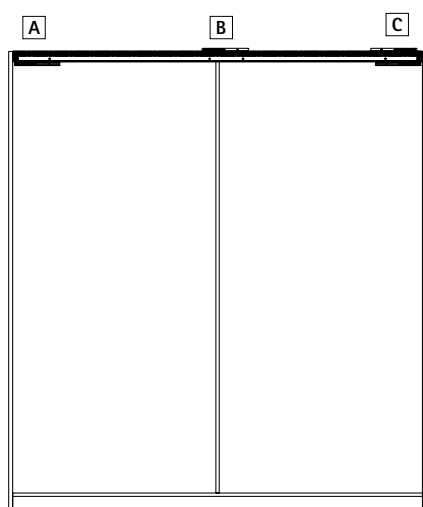
Installation dimensions for 2-door cabinet, offset opening



Sliding door system / top running

- ▶ TopLine L / overlay door position / door movement in front of top panel
- ▶ Planning dimensions

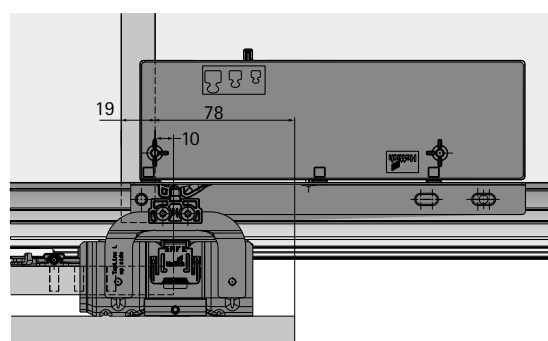
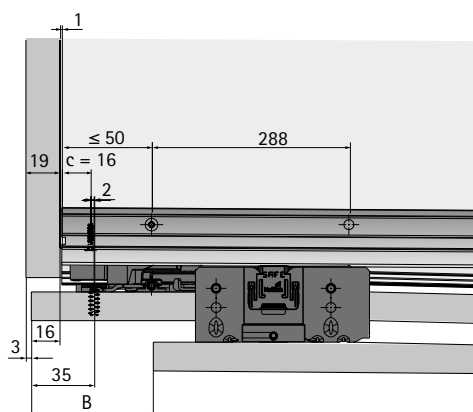
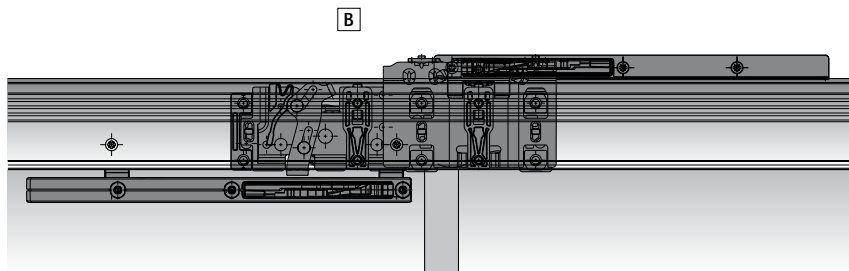
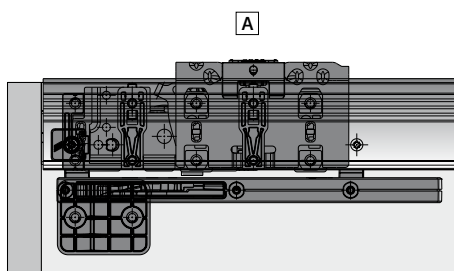
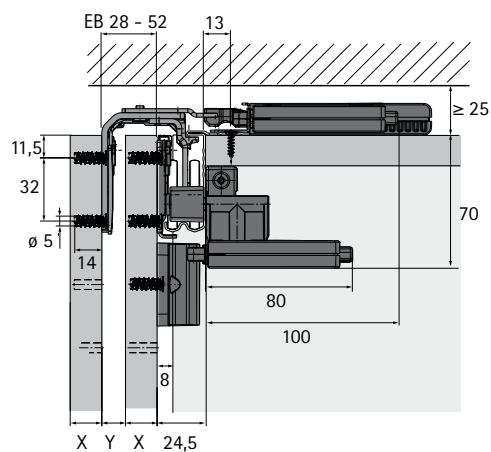
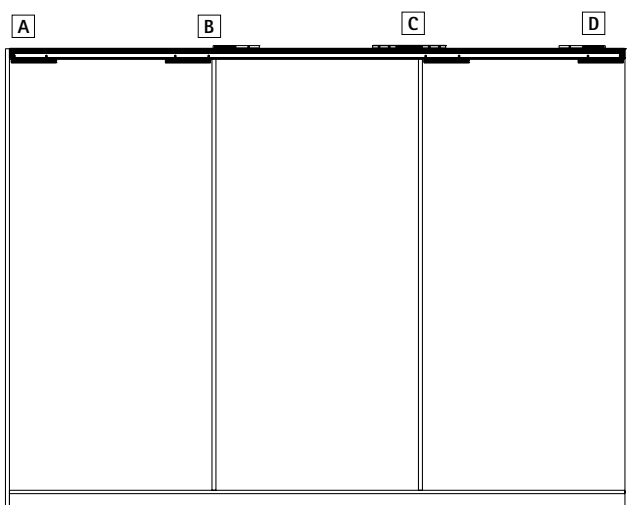
Installation dimensions for 2-door cabinet, flush opening



Sliding door system / top running

- ▶ TopLine L / overlay door position / door movement in front of top panel
- ▶ Planning dimensions

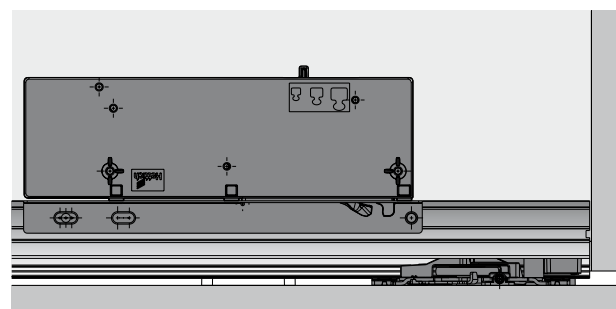
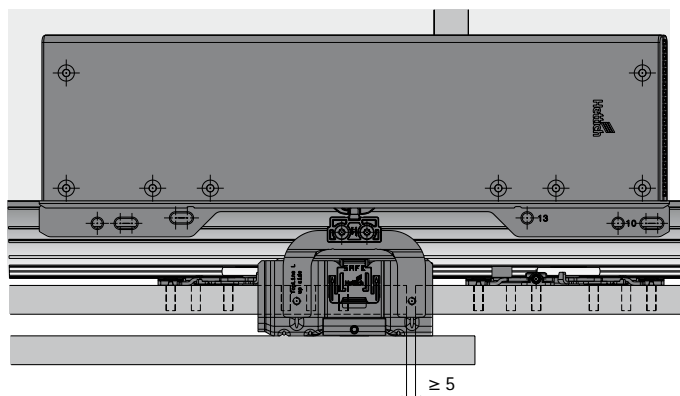
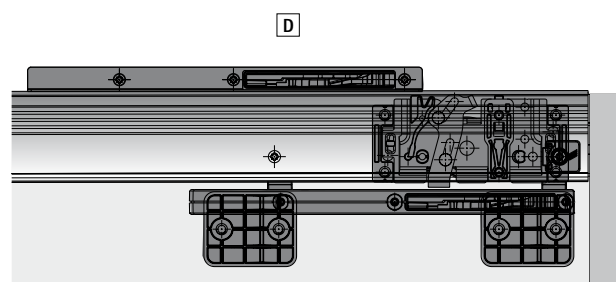
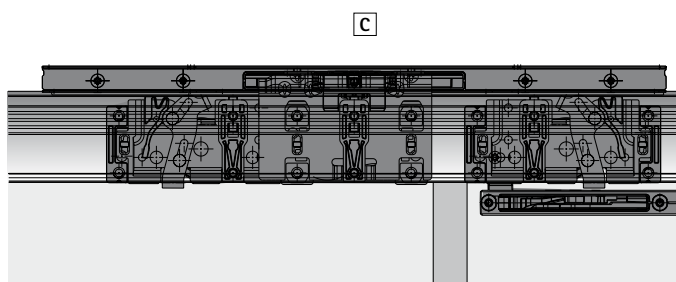
Installation dimensions for 3-door cabinet, offset opening



Sliding door system / top running

- ▶ TopLine L / overlay door position / door movement in front of top panel
- ▶ Planning dimensions

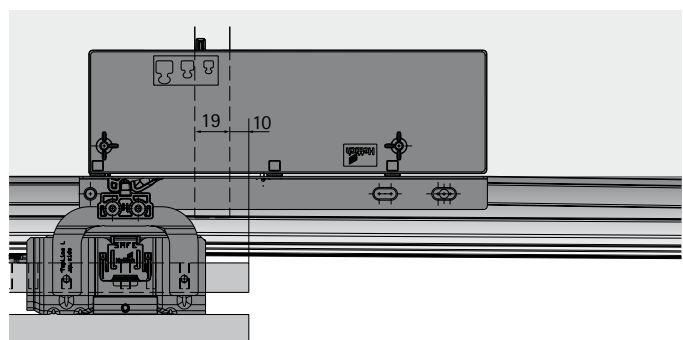
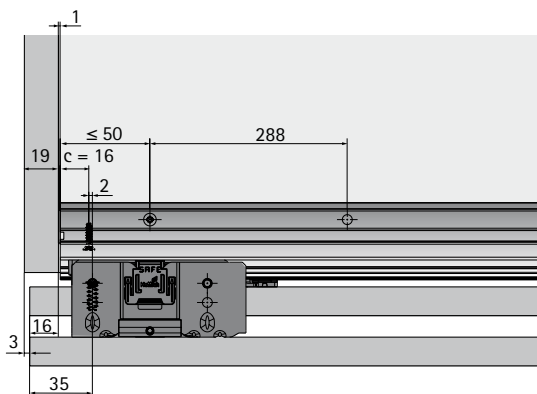
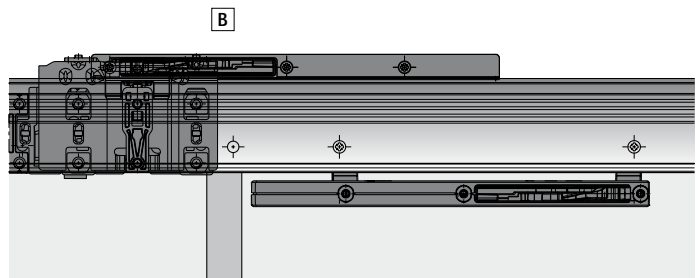
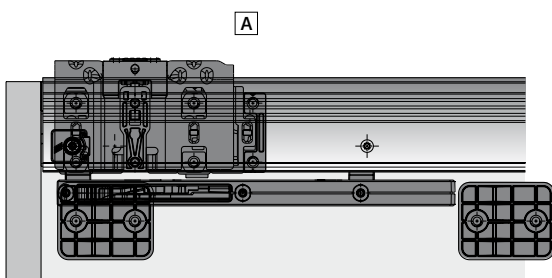
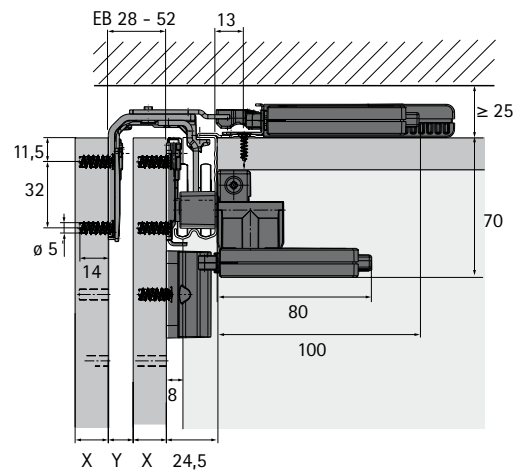
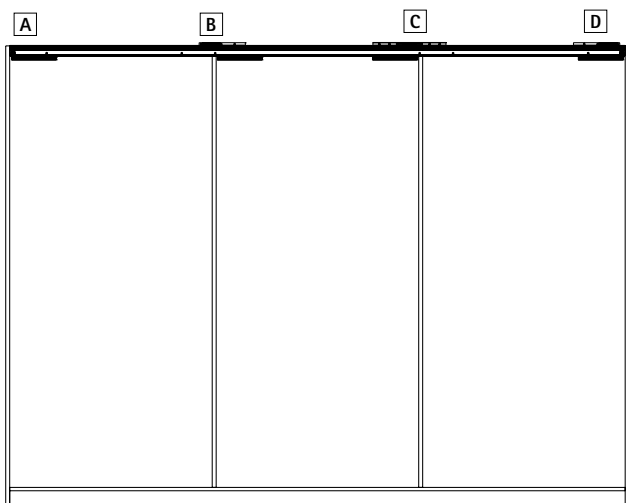
Installation dimensions for 3-door cabinet, offset opening



Sliding door system / top running

- ▶ TopLine L / overlay door position / door movement in front of top panel
- ▶ Planning dimensions

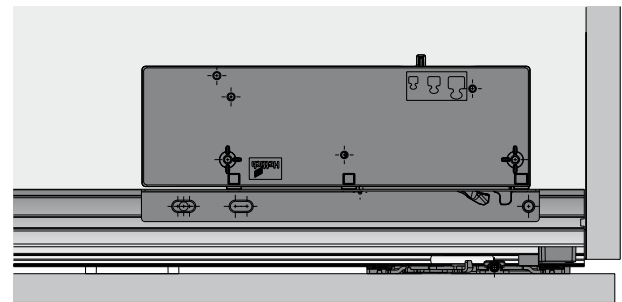
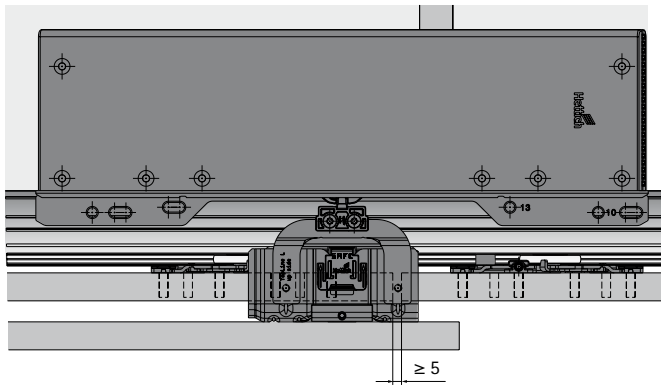
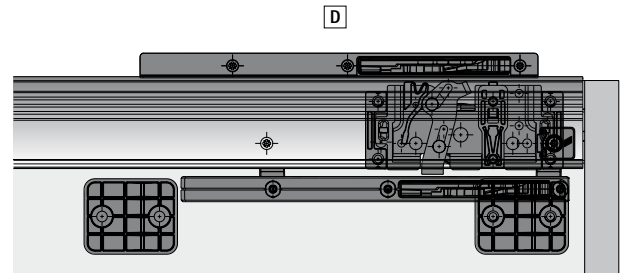
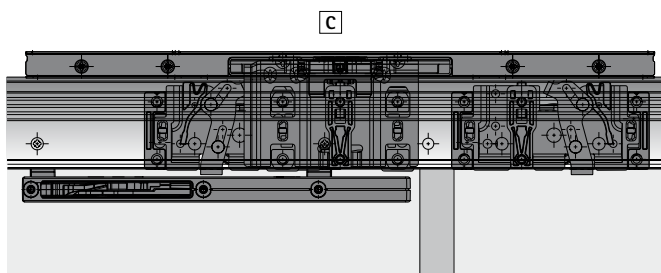
Installation dimensions for 3-door cabinet, flush opening



Sliding door system / top running

- ▶ TopLine L / overlay door position / door movement in front of top panel
- ▶ Planning dimensions

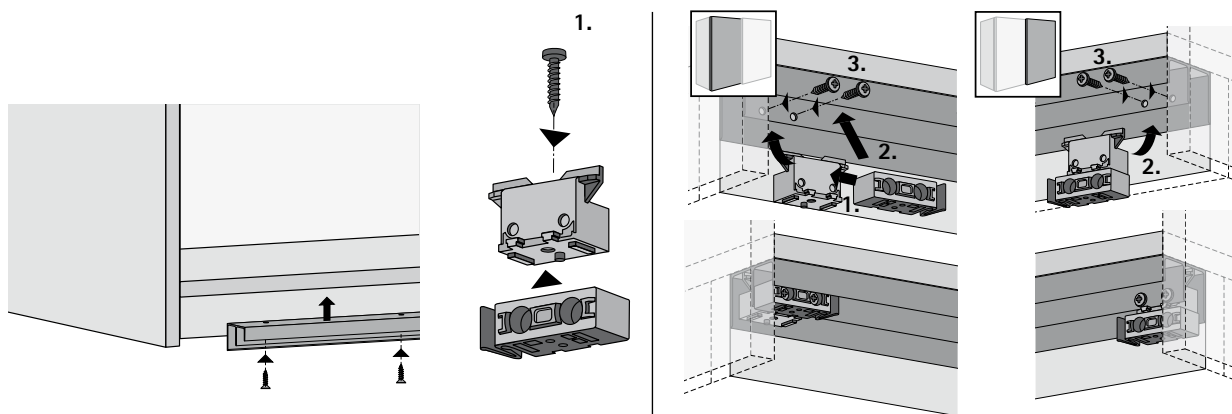
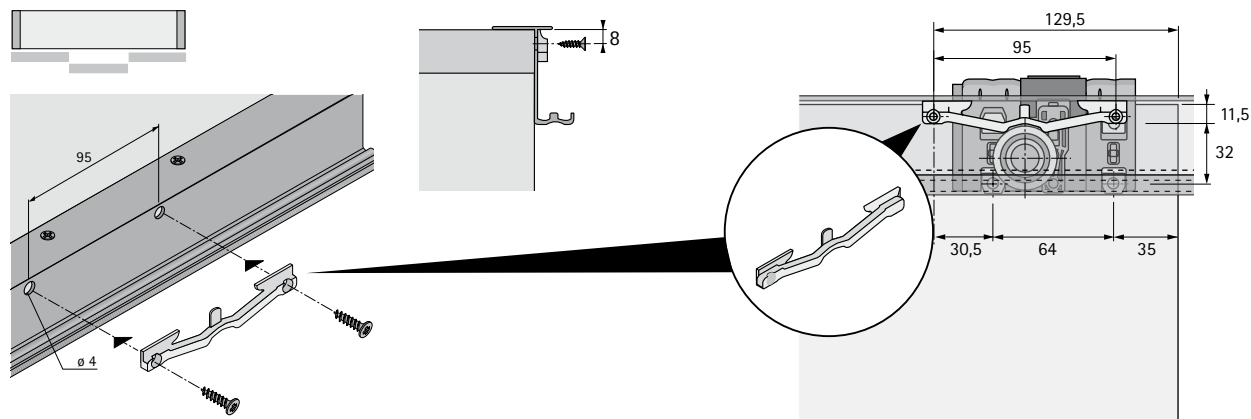
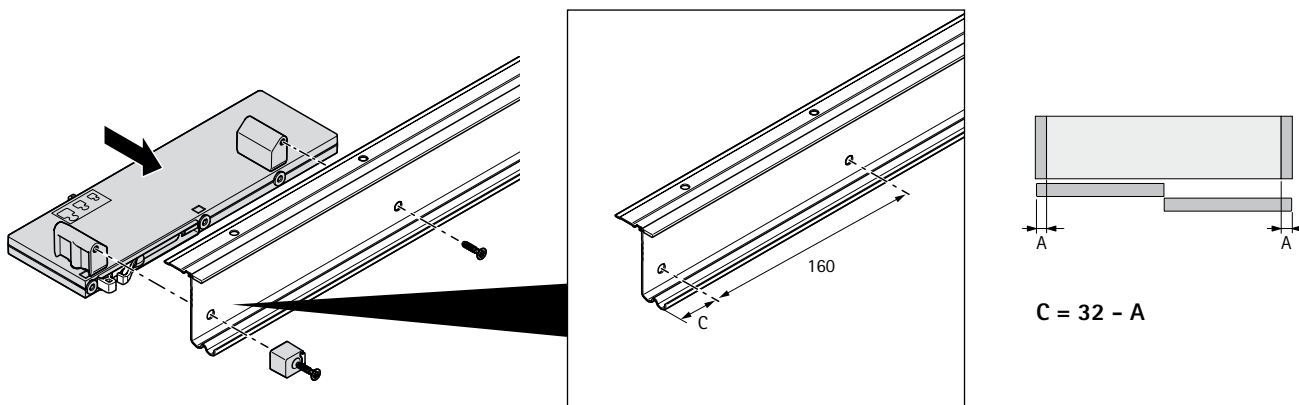
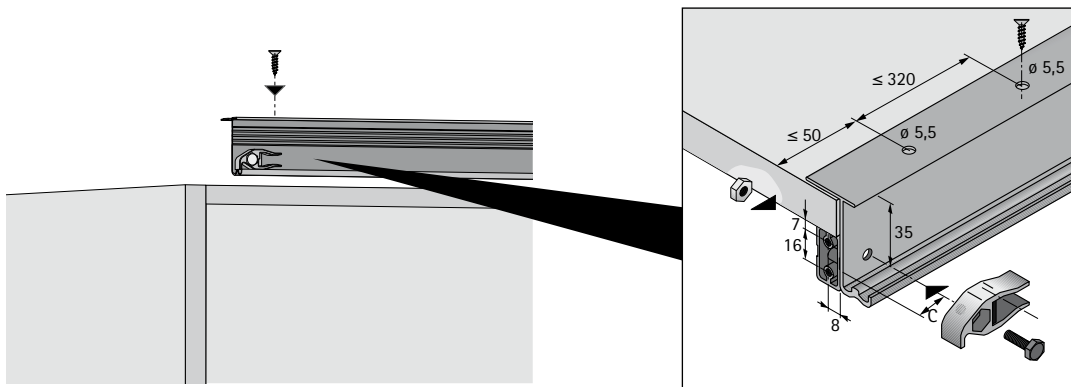
Installation dimensions for 3-door cabinet, flush opening



Sliding door system / top running

- ▶ TopLine L / overlay door position / door movement in front of top panel
- ▶ Installation

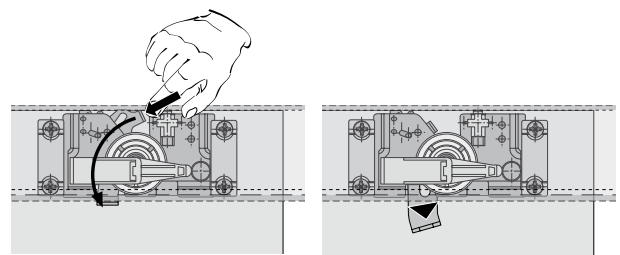
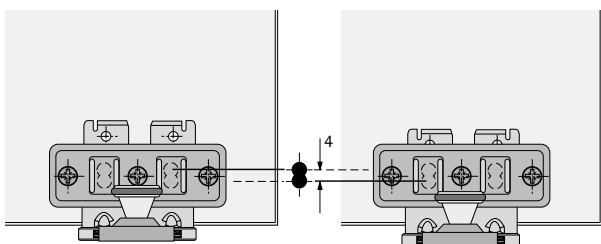
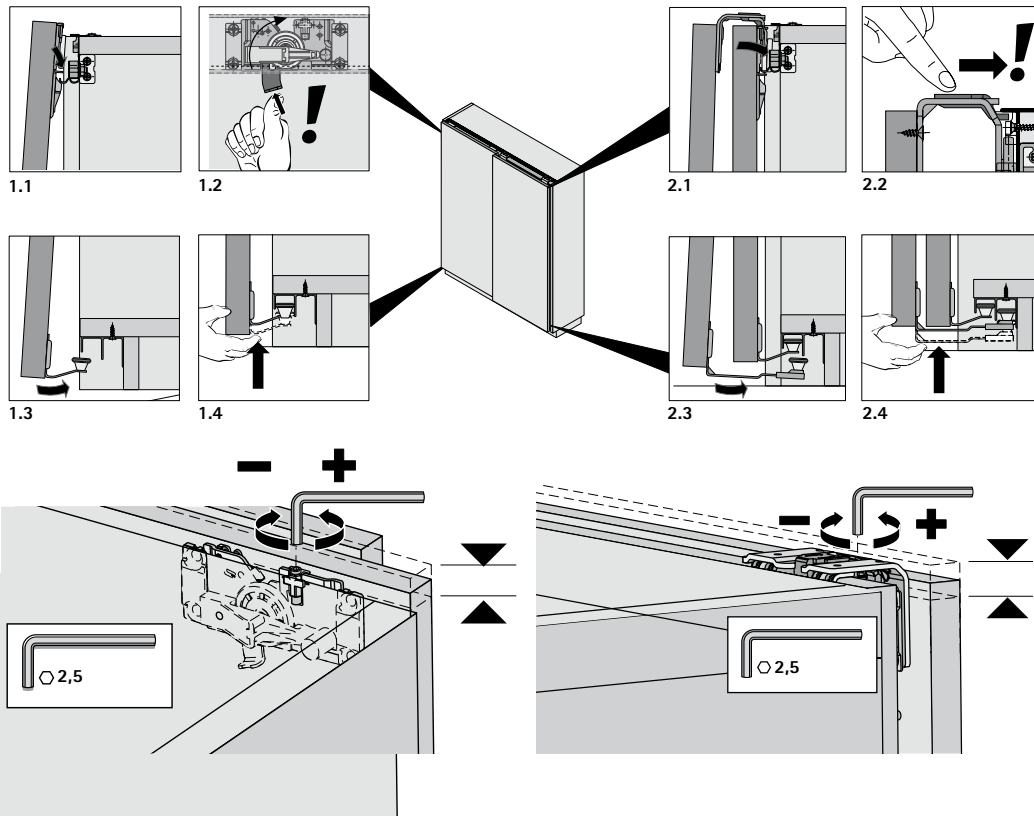
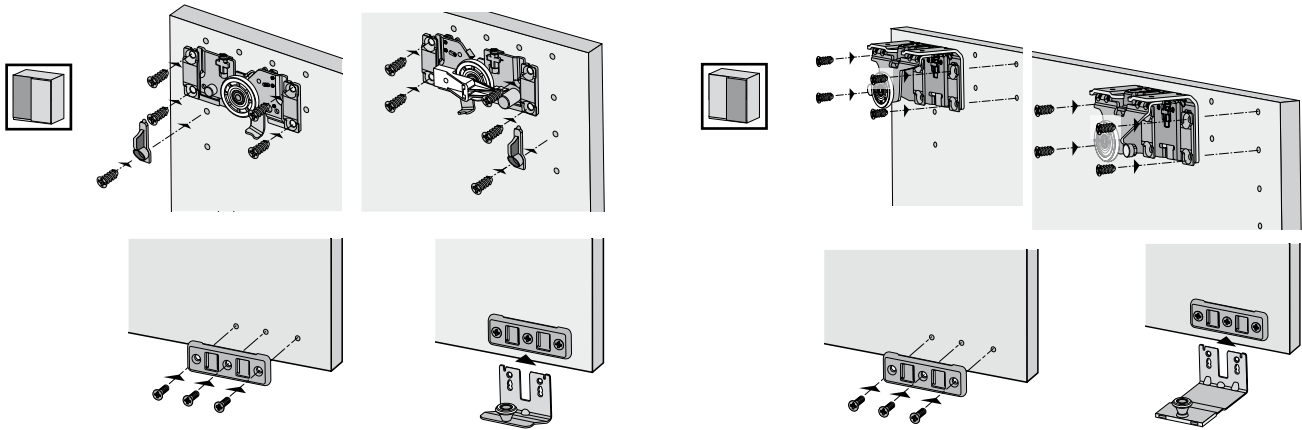
Installation in brief



Sliding door system / top running



- ▶ TopLine L / overlay door position / door movement in front of top panel
- ▶ Installation

Installation in brief



Sliding door system / bottom running

► Range summary / technical comparison

	SlideLine M, overlay	SlideLine M, inset	SlideLine 55 Plus
			
Page	40 – 55	56 – 68	70 – 83
Description	Bottom running sliding door system with one runner	Bottom running sliding door system with two runners	Bottom running sliding door system with two runners
Number of runners	1	2	2
Door action	Horizontal	Horizontal	Horizontal
Door position	Overlay	Inset	Inset / overlay
Door weight	► 30 kg max.	► 30 kg max.	► 15 kg max. with plastic profile ► 30 kg max. with aluminium profile
Door material	Wood Aluminium Glass	Wood Aluminium Glass	Wood
Door width mm	300 - 1800	300 - 1800	400 - 2000
Door height mm	up to 2000	up to 2000	700 - 1500
Silent System	Soft closing, soft opening, soft colliding	Soft closing, soft opening, soft colliding	Soft closing, soft opening

Sliding door system / bottom running

- ▶ SlideLine M / overlay door position
- ▶ All the benefits at a glance



Design upgrade for furniture. SlideLine M upgrades the practical value and design of furniture. Living room units and shelf systems. Kitchen wall units and bathroom furniture. And, of course, office cabinets too. The versatile system is suitable for all common furniture constructions. Wooden, glass or aluminium framed doors weighing up to

30 kg can be installed quickly and easily. Profiles are available for several shelf thicknesses. Sliding doors running one in front of the other in one profile are also easy to produce. The Silent System is integrated on the running component and slows down door running action in closing, opening and colliding direction.



Including a feel of luxury: Silent System lets doors open and close quietly and gently. Where several sliding doors run side by side in one profile, they can even be slowed down as they move towards each other.



Tool-less fast installation: the SlideLine M system makes easy, fast work of installing sliding doors.



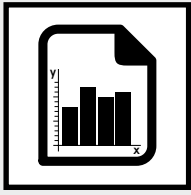
Spot on: perfectly align sliding doors – with the integrated height adjuster (+/- 2 mm).



Fast and easy: profiles are simple screw mounted to the assembled carcass.

Sliding door system / bottom running

- ▶ SlideLine M / overlay door position
- ▶ Summary



Performance summary

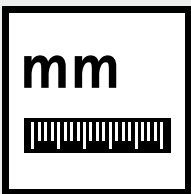
42 – 43

- ▶ Technical details in brief
- ▶ Door sizes
- ▶ Silent System
- ▶ Operating principle



System components

44 – 47



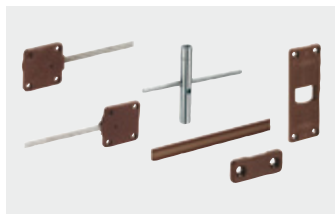
Planning dimensions

48 – 51



Installation

52 – 55



Accessories

144 – 145



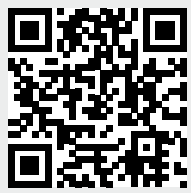
Technical information

- ▶ Calculating door weights
- ▶ Design advice sliding door systems
- ▶ Quality criteria

160 – 161

162 – 164

165



For further information, go to www.hettich.com/short/b42691

- ▶ Detailed installation instructions
- ▶ CAD data
- ▶ Assembly video

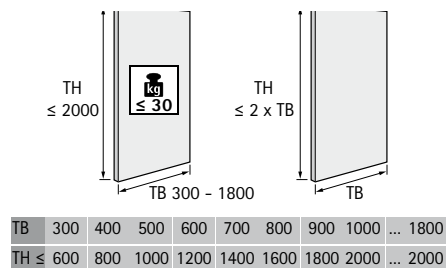
Sliding door system / bottom running

- ▶ SlideLine M / overlay door position
- ▶ Performance summary

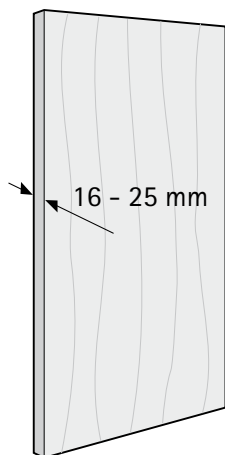
Technical details in brief

- ▶ 1-track, bottom running sliding door system
- ▶ Overlay door position
- ▶ Wooden, glass or aluminium framed doors
- ▶ Door weight up to 30 kg
- ▶ Door height up to 2000 mm
- ▶ Door width from 300 - 1800 mm
- ▶ Shelf thicknesses 15, 16, 18, 19, 22, 25 mm
- ▶ +/- 2 mm height adjustment
- ▶ Silent System in closing, opening and colliding direction
- ▶ Tool-less fast installation of the front panel
- ▶ Tested to EN 15706, Level 1 or 3

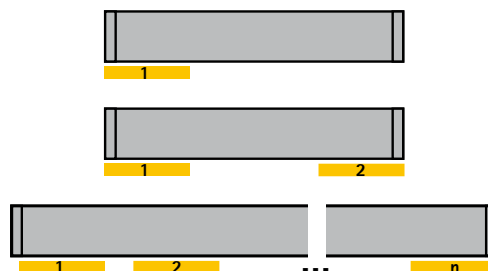
Door format and door weight



Door material



Number of door wings and door position



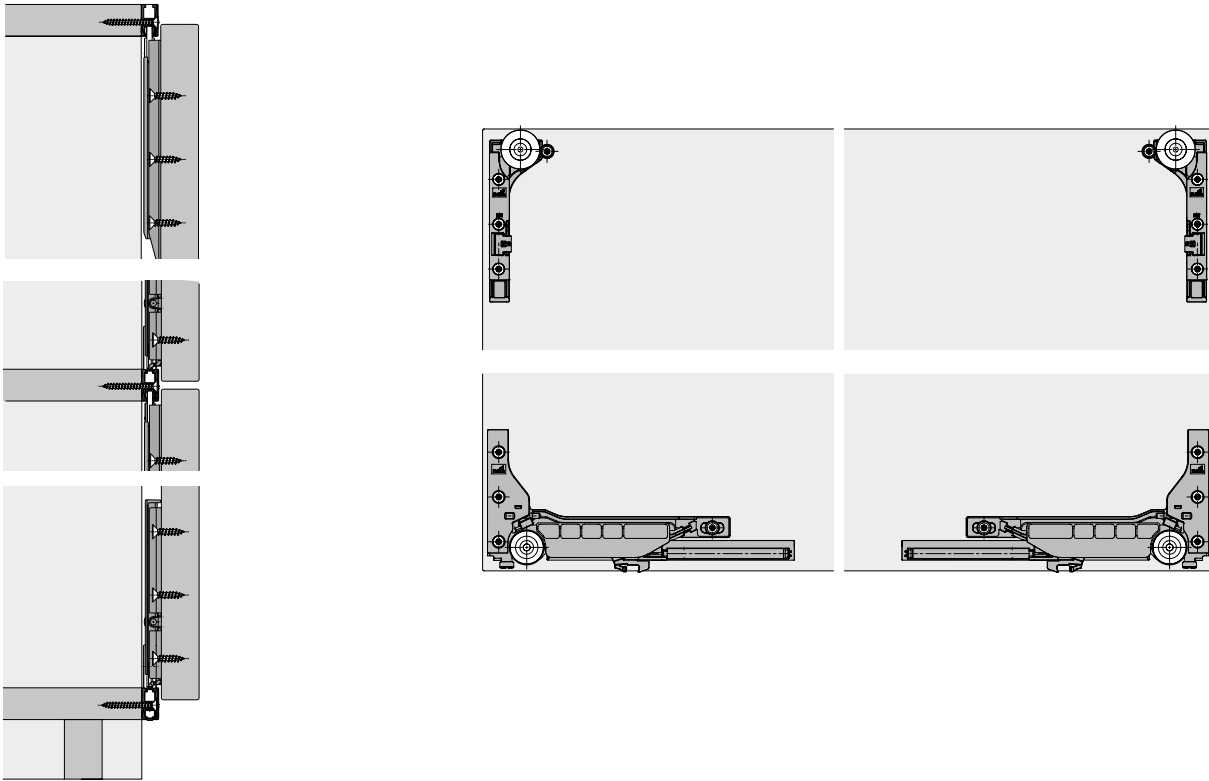
Silent System

	1-door	with several doors
Soft closing		
Soft opening		
Soft colliding		

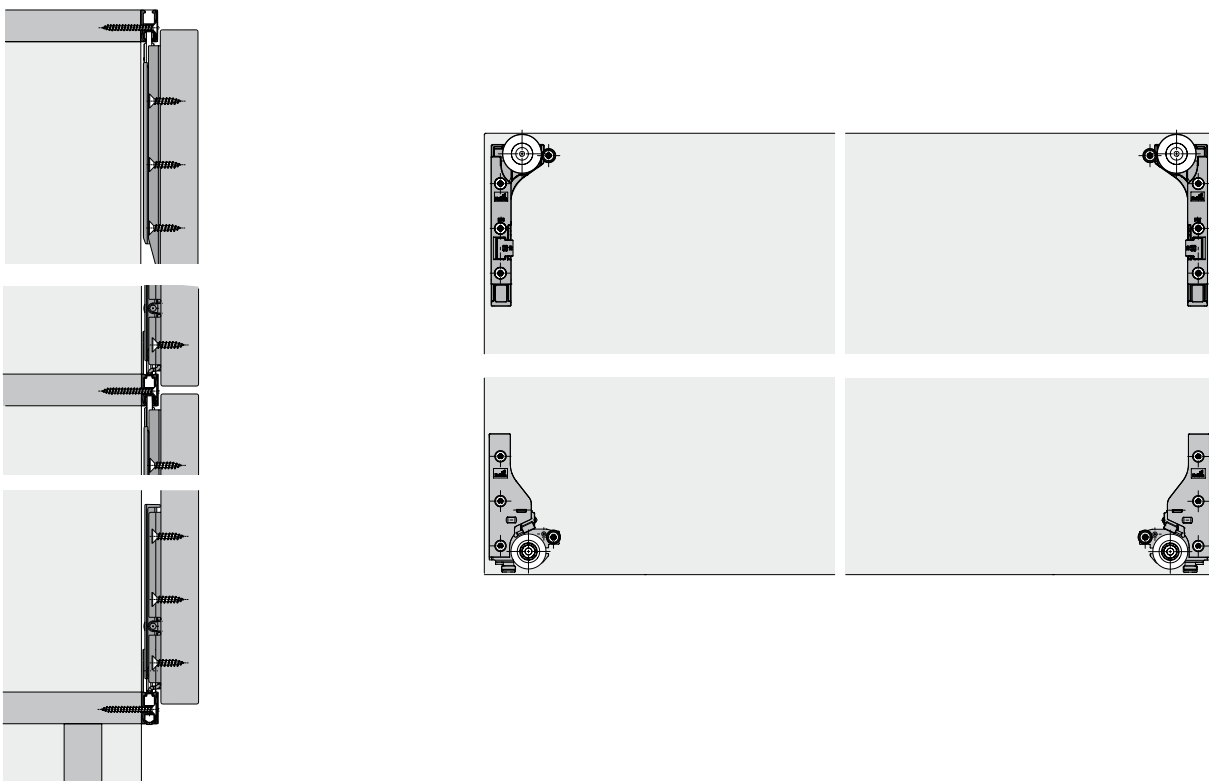
Sliding door system / bottom running

- ▶ SlideLine M / overlay door position
- ▶ Performance summary

Operating principle / SlideLine M with Silent System



Operating principle / SlideLine M without Silent System



- ▶ SlideLine M / overlay door position
- ▶ System components

Set of fittings for doors with Silent System (soft closing, soft opening and soft colliding)



- ▶ Set contains all the components required for 1 sliding door framed in wooden or 55 mm aluminium profiles with Silent System
- ▶ The set of fittings can be used without an additional upgrade set
- ▶ Suitable sheet metal screws must be used for installing the running and guide components on the 55 mm aluminium frame

Set comprises:

- ▶ 2 running components with Silent System
- ▶ 2 guide components
- ▶ 2 activators
- ▶ 2 end stops, top
- ▶ 2 guide bushes
- ▶ 1 Silent System in colliding direction
- ▶ 1 1.5 mm hexagon socket spanner
- ▶ Fixing screws for wooden doors

Advice:

- ▶ Please order profiles separately

Door weight per door (max)	Door type	Minimum door width in mm	Order no.	PU
10	Wooden door, 55 mm aluminium frame door	450	9 201 921	1 set
30	Wooden doors, 55 mm aluminium framed door	450	9 156 338	1 set

Set of fittings for doors without Silent System



- ▶ Set contains all the components required for 1 sliding door framed in wooden or 55 mm aluminium profiles without Silent System
- ▶ The set of fittings can be used without an additional upgrade set
- ▶ Suitable sheet metal screws must be used for installing the running and guide components on the 55 mm aluminium frame

Set comprises:

- ▶ 2 running components without Silent System
- ▶ 2 guide components
- ▶ 2 end stops, bottom
- ▶ 2 end stops, top
- ▶ 4 guide bushes
- ▶ 1 1.5 mm hexagon socket spanner
- ▶ Fixing screws for wooden doors

Advice:

- ▶ Please order profiles separately

Door type	Minimum door width in mm	Order no.	PU
Wooden doors, 55 mm aluminium framed doors	300	9 156 339	1 set

- ▶ SlideLine M / overlay door position
- ▶ System components

Upgrade set for glue mounted glass doors with Silent System



- ▶ Set contains all the upgrade components required for glue mounting 1 glass sliding door without Silent System
- ▶ For use with 2-component adhesive
- ▶ Supplied without adhesive
- ▶ Mounting adapter material: zinc alloy to DIN EN 12844-ZP5

Set comprises:

- ▶ 2 adhesive mounting adapters for guide components
- ▶ 2 adhesive mounting adapters for running components with Silent System
- ▶ 6 overrun strips
- ▶ 1 special tool

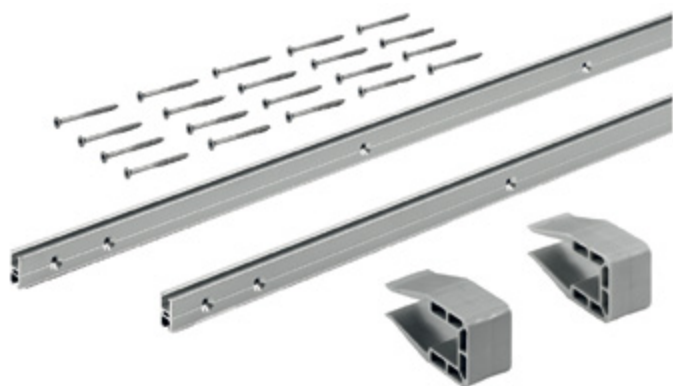
Advice:

- ▶ Please order profiles separately
- ▶ Set of fittings for doors with Silent System must be ordered separately

Door type	Minimum door width in mm	Order no.	PU
Glass sliding door	450	9 184 566	1 set

- ▶ SlideLine M / overlay door position
- ▶ System components

Profile sets: 2 profiles



- ▶ Profiles can be shortened as required
- ▶ If long enough, profiles can be cut into two and used as top and bottom runner profiles
- ▶ Coloured sets contain twice as many end caps

Set comprises:

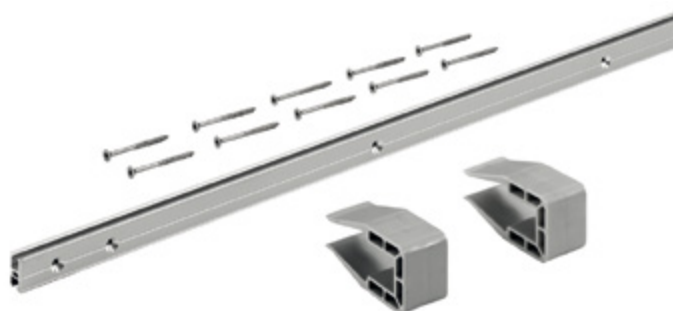
- ▶ 2 runner profiles, aluminium, silver anodized, predrilled
- ▶ 2 mounting clips
- ▶ Fixing material

Advice:

- ▶ Coloured sets for concealing the runner profiles with a coloured cover must be ordered separately

Profile height mm	Shelf thickness in mm	Length mm	Order no.	PU
16	15,16	4000	9 209 166	1 set
18	18,19	4000	9 209 218	1 set
25	25	4000	9 209 222	1 set

Profile sets: 1 profile



- ▶ Single profiles set as upgrade for furniture applications with doors running across each other
- ▶ Profiles can be shortened as required
- ▶ If long enough, profiles can be cut into two and used as top and bottom runner profiles
- ▶ Coloured sets contain twice as many end caps

Set comprises:

- ▶ 1 aluminium runner profile, silver anodized, predrilled
- ▶ 2 mounting clips
- ▶ Fixing screws

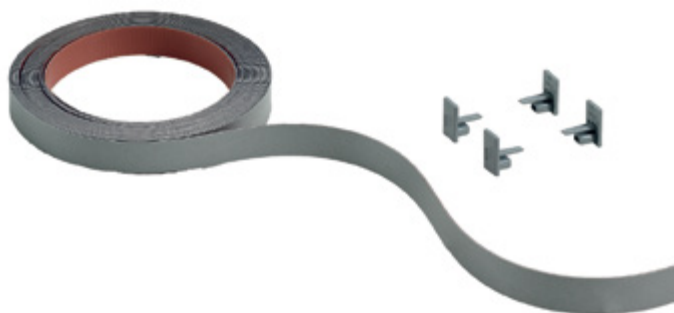
Advice:

- ▶ Coloured sets for concealing the runner profiles with a coloured cover must be ordered separately

Profile height mm	Shelf thickness in mm	Length mm	Order no.	PU
16	15,16	4000	9 209 224	1 set
18	18,19	4000	9 209 226	1 set
25	25	4000	9 209 231	1 set

- ▶ SlideLine M / overlay door position
- ▶ System components

Coloured sets for concealing the runner profiles with a coloured cover



- ▶ Set contains all the components required for concealing 1 runner profile with a coloured cover

Set comprises:

- ▶ 1 ABS decorative profile for gluing on
- ▶ 2 end caps
- ▶ 2 end caps (replacement)

Advice:

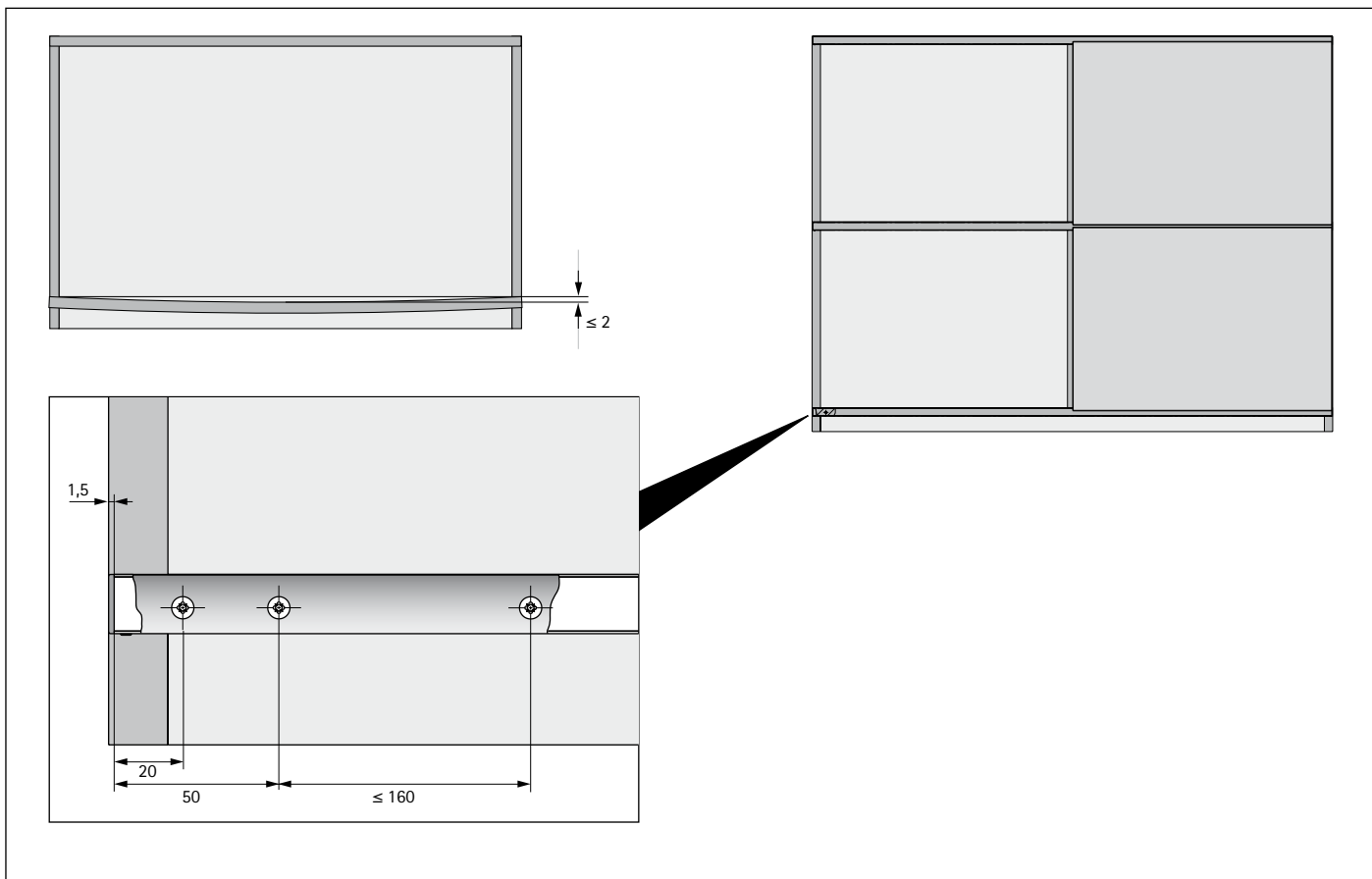
- ▶ For each profile set: 2 profiles, please order 2 coloured sets separately
- ▶ For each profile set: 1 profile, please order 1 coloured set separately

Profile height mm	Colour	Length mm	Order no.	PU
16	silver	4000	9 209 268	1 set
16	black	4000	9 209 271	1 set
16	white	4000	9 209 273	1 set
18	silver	4000	9 209 278	1 set
18	black	4000	9 209 280	1 set
18	white	4000	9 209 283	1 set
25	silver	4000	9 209 400	1 set
25	black	4000	9 209 403	1 set
25	white	4000	9 209 405	1 set

Sliding door system / bottom running

- ▶ SlideLine M / overlay door position
- ▶ Planning dimensions

Intended Use



Intended use

The SlideLine M furniture fitting is intended for application in furniture and use in dry indoor environments where it is protected from the elements. The version of the fitting with Silent System meets the requirements under DIN EN 15706 Level 3. The version of the fitting without Silent System meets the requirements under DIN EN 15706 Level 1.

Technical specifications

Door weight:	up to 30 kg	
Door size:	Min.	Max.
Width:	300 mm	1800 mm
Height:	300 mm	2000 mm
Max. height H for width W:	$H \leq 2 B$	
Shelf thicknesses:	15 mm, 16 mm, 18 mm, 19 mm, 22 mm, 25 mm	
Height adjustment:	+/- 2.0 mm	

When constructing furniture, it is important to note that the sliding door must be no higher than twice its width. Up to this relative height, SlideLine M meets the above-stated quality and safety requirements under DIN EN 15706. If the specified maximum relative height is exceeded, the furniture construction must undergo a function and safety test as defined in the relevant furniture standard.

Under DIN EN 15706 Level 1, the version of the fitting without Silent System is approved for use if it passes the 2 kg closing test specified there. If a higher load capacity is to be reached, e.g. on the grounds of requirements defined in a relevant furniture standard, this must be ensured by the fabricator in terms of furniture design (e.g. inset installation).



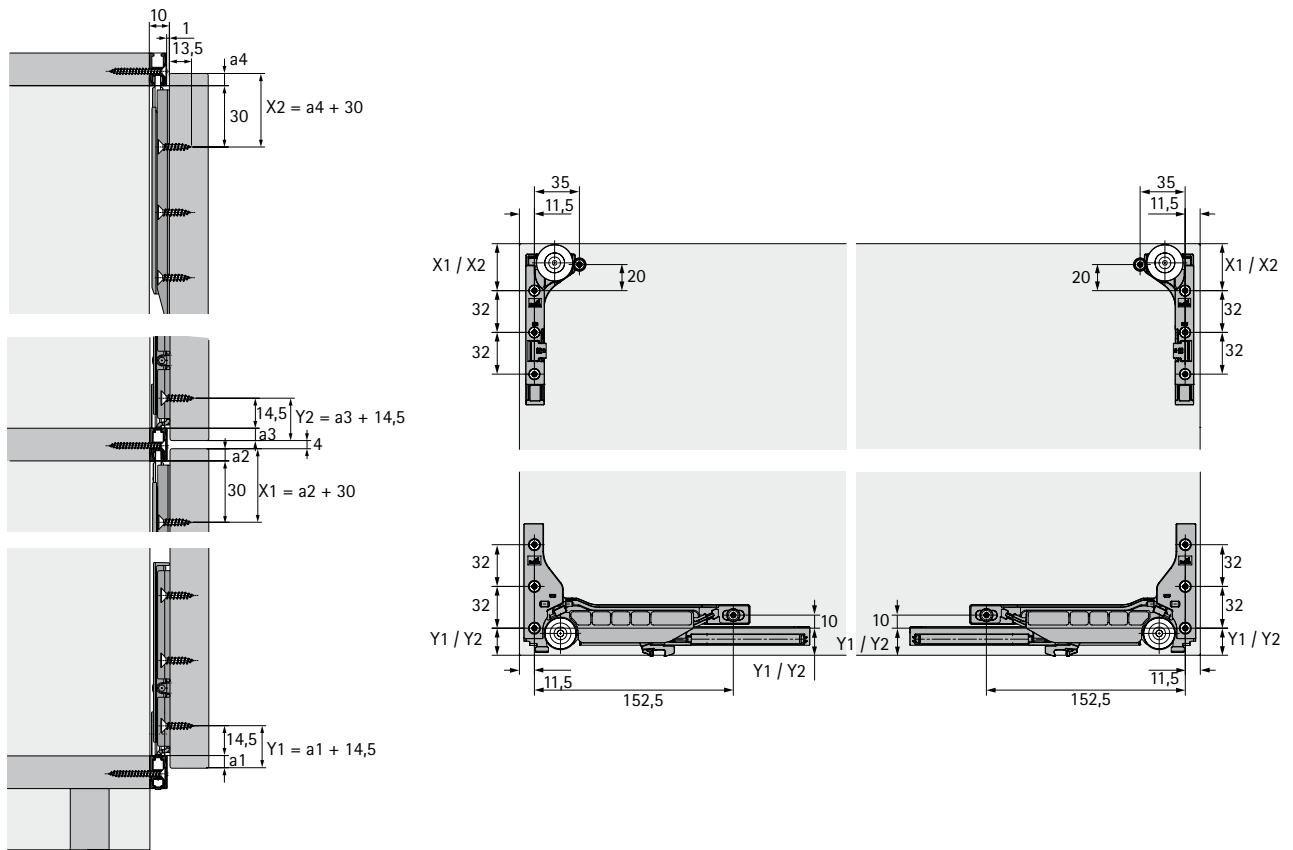
Safety risk

The SlideLine M sliding door fitting is only suitable for applications in which the design of furniture and its dimensional accuracy are capable of ensuring that the top and bottom runners always remain parallel (i.e. also in the case where there is a particularly heavy load on a shelf to which a runner is connected, for example) with a tolerance of no more than +/- 1 mm from the specified distance between both runners. Any failure to meet this requirement, e.g. as a result of sag in the panel to which the bottom runner is mounted, presents a safety risk (door falling out of the runner) that may cause personal injury. The stops must be securely mounted in the profile or safety could be put at risk (from door coming off at side) which may result in personal injury.

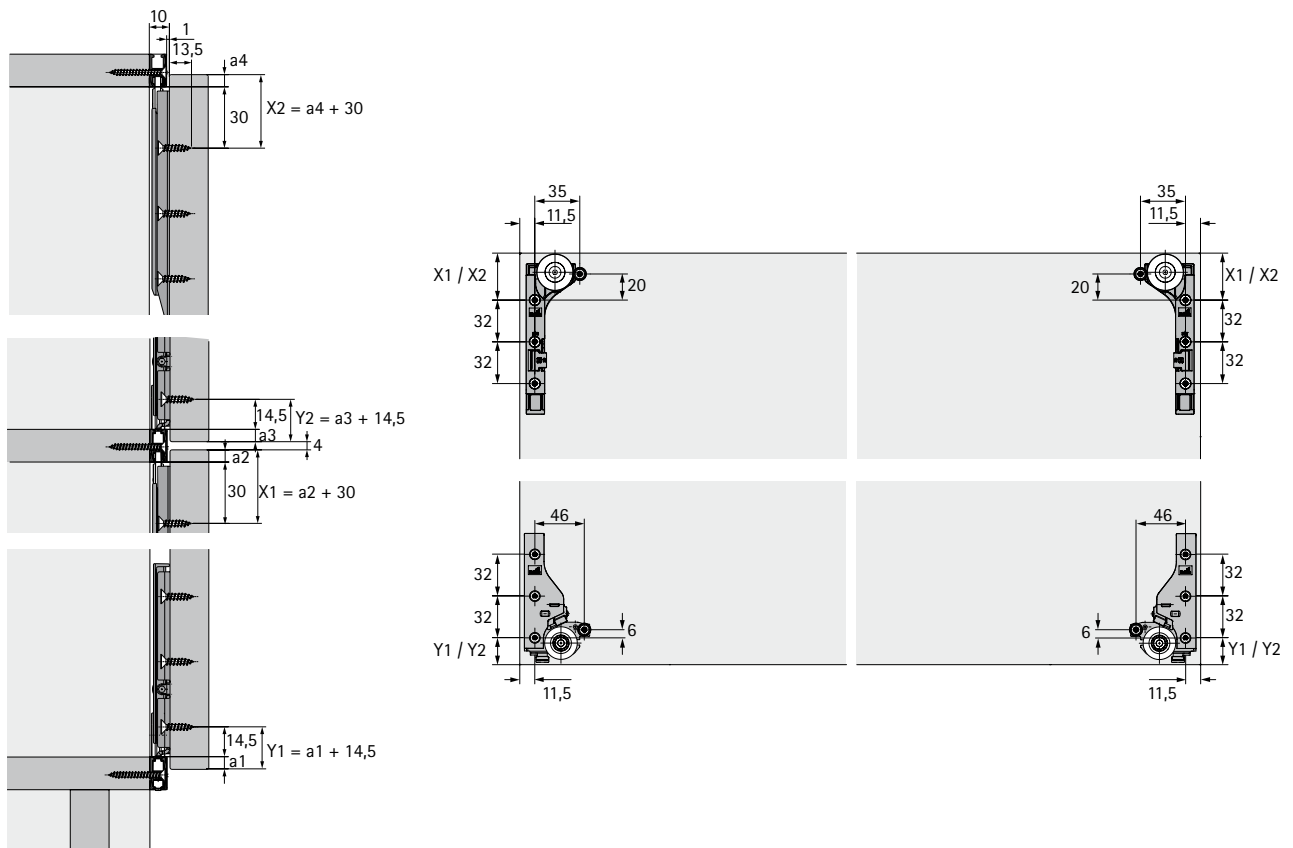
Sliding door system / bottom running

- ▶ SlideLine M / overlay door position
- ▶ Planning dimensions

Installation dimensions wooden door with Silent System / 55 mm aluminium framed door



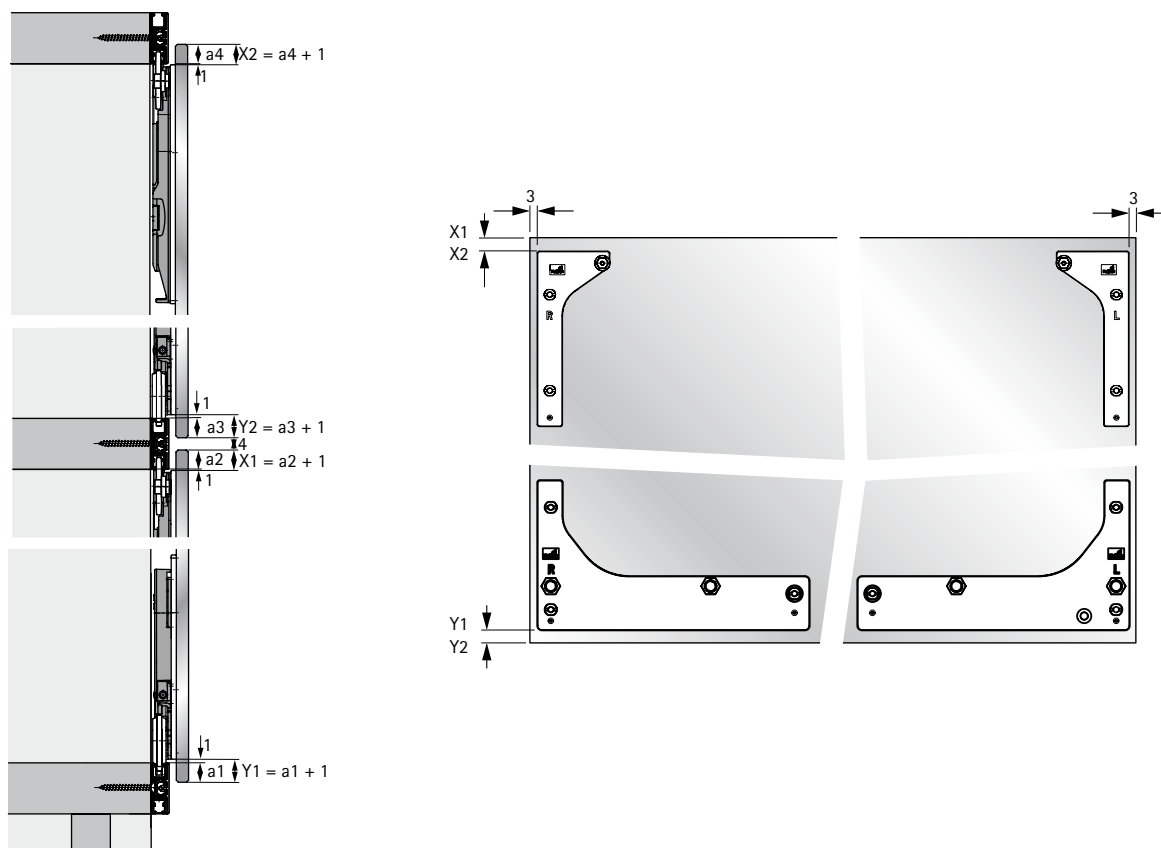
Installation dimensions for wooden door / 55 mm aluminium frame door without Silent System



Sliding door system / bottom running

- ▶ SlideLine M / overlay door position
- ▶ Planning dimensions

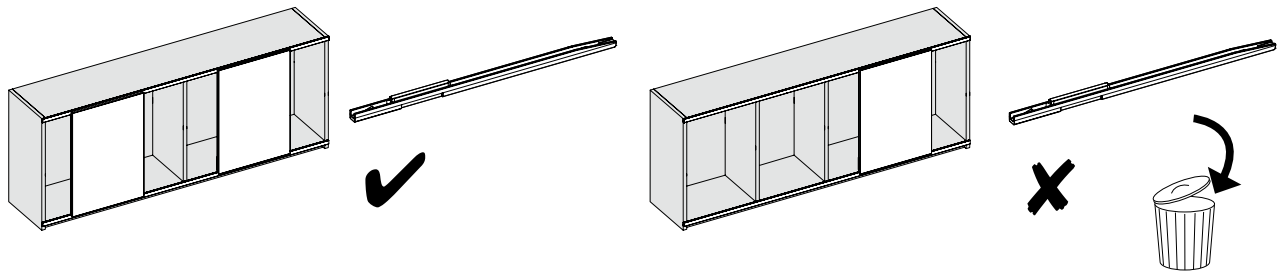
Installation dimensions for glue mounted glass door with Silent System



Sliding door system / bottom running

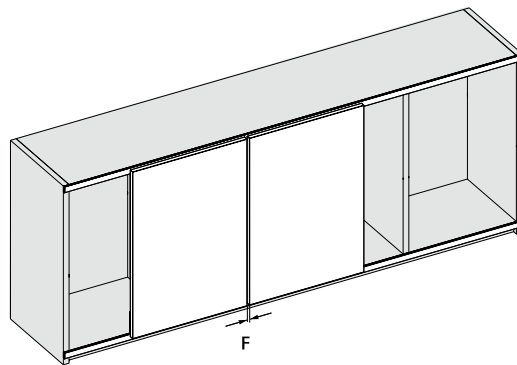
- ▶ SlideLine M / overlay door position
- ▶ Planning dimensions

Soft colliding for two or more doors

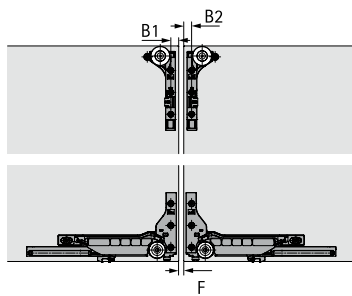


If two or more sliding doors run in one plane, they can be slowed down by soft colliding as they move towards each other.

Installation dimensions for soft colliding



The centre reveal F between two wooden doors can be influenced by the position of drill holes B1 and B2 for the running and guide components. Use of the standard drilling pattern produces a centre reveal of $F = 10$ mm.



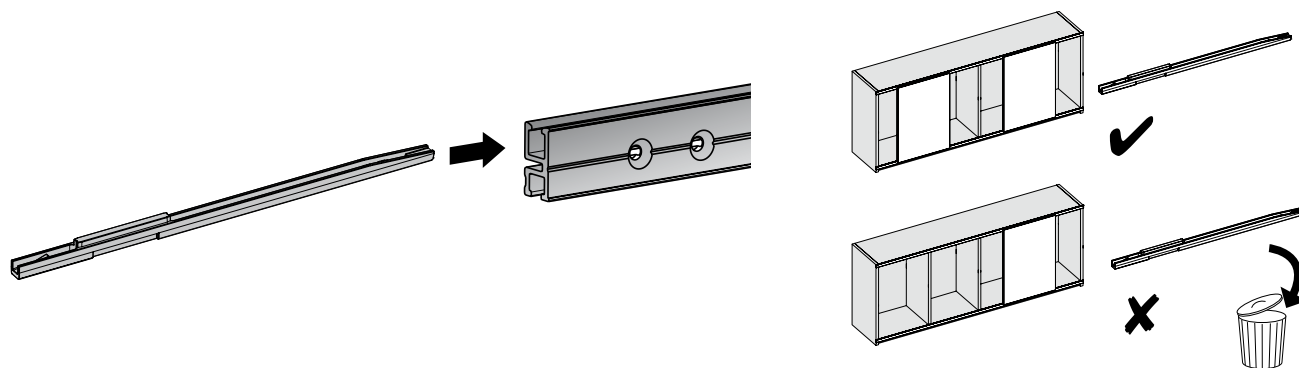
Centre reveal F mm	Drilling position B1 mm	Drilling position B2 mm
10	11,5	11,5
8	12,5	12,5
6	13,5	13,5
4	14,5	14,5
2	15,5	15,5

Depending on door width, door height and closing speed, door tops may collide if the centre reveal is < 10 mm. For this reason, Hettich recommends a centre reveal F of 10 mm for aluminium framed doors and glass doors.

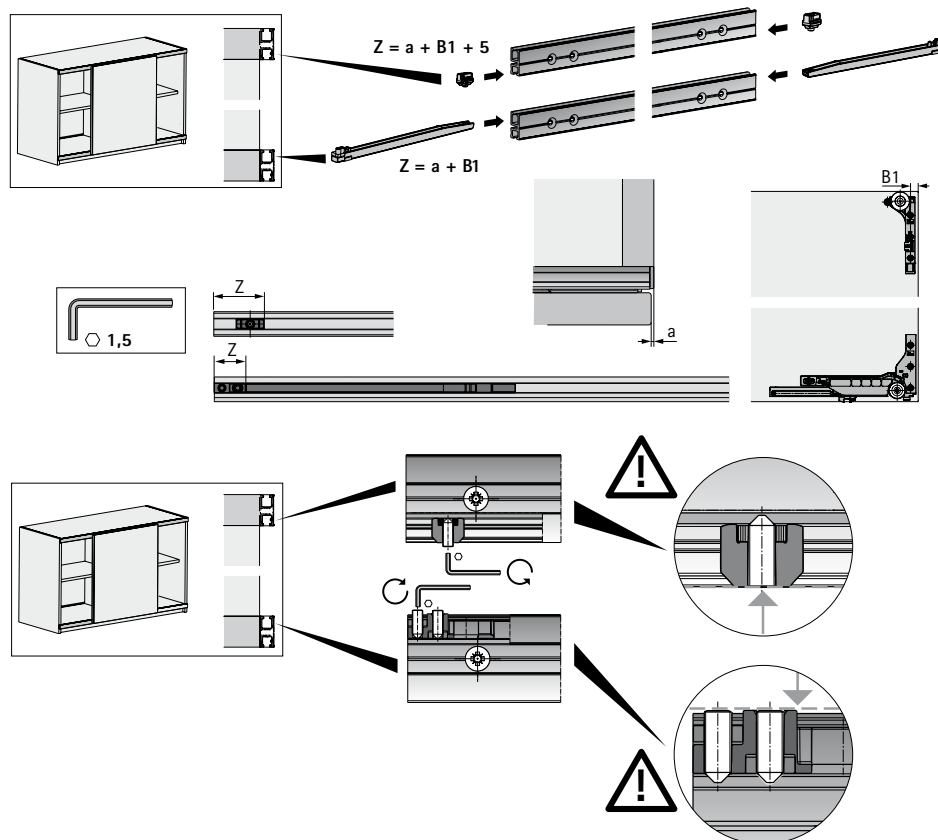
Sliding door system / bottom running

- ▶ SlideLine M / overlay door position
- ▶ Installation

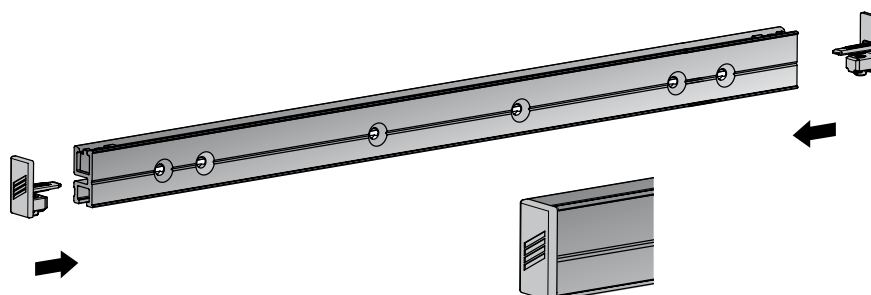
Installing the soft colliding element for two or more doors



Installing activators and end stops in the runner profile



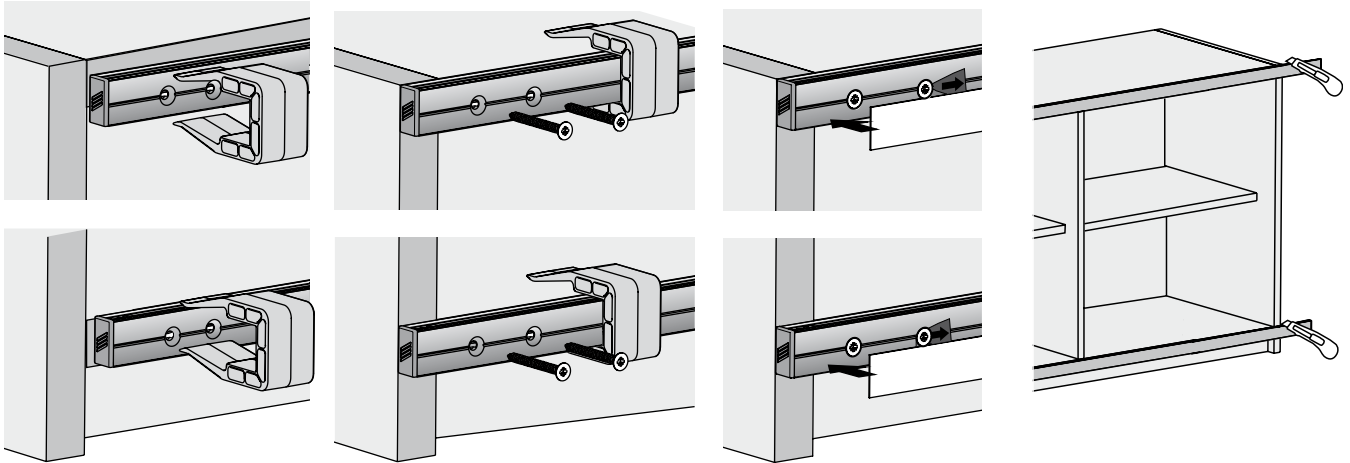
Installing end caps



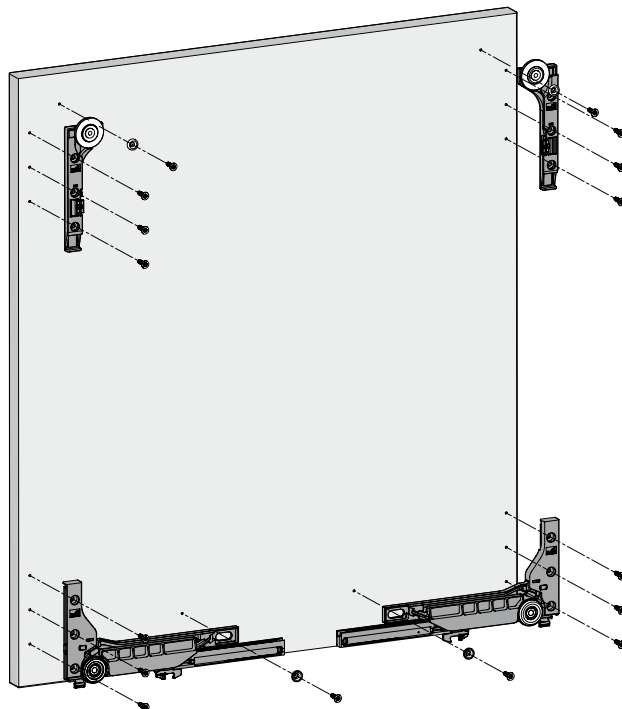
Sliding door system / bottom running

- ▶ SlideLine M / overlay door position
- ▶ Installation

Installing the runner profiles and decorative profiles



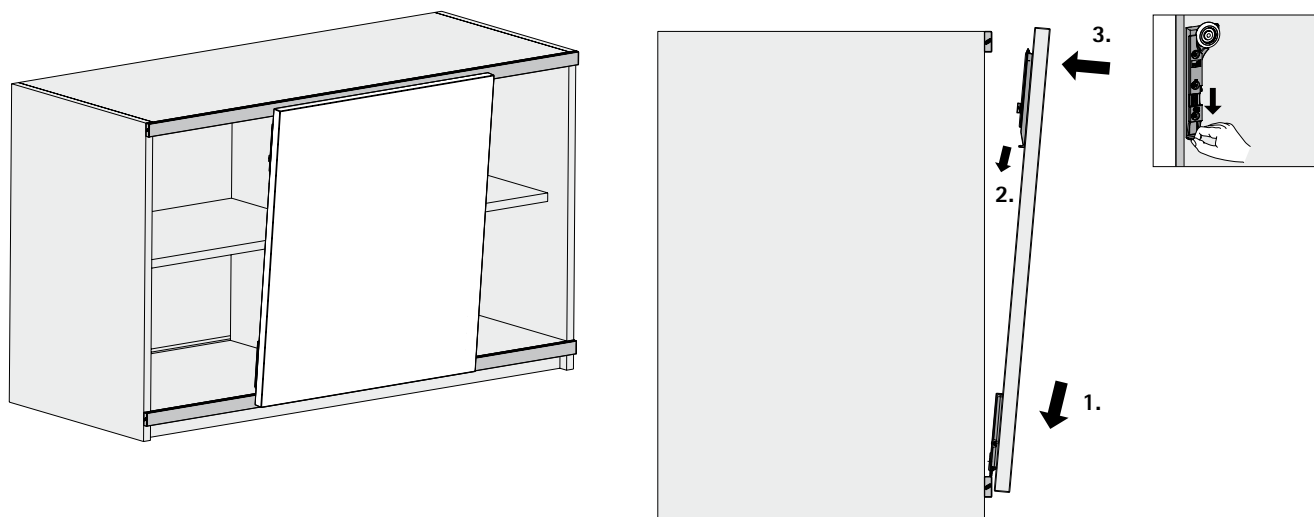
Installing the fitting and upgrade sets



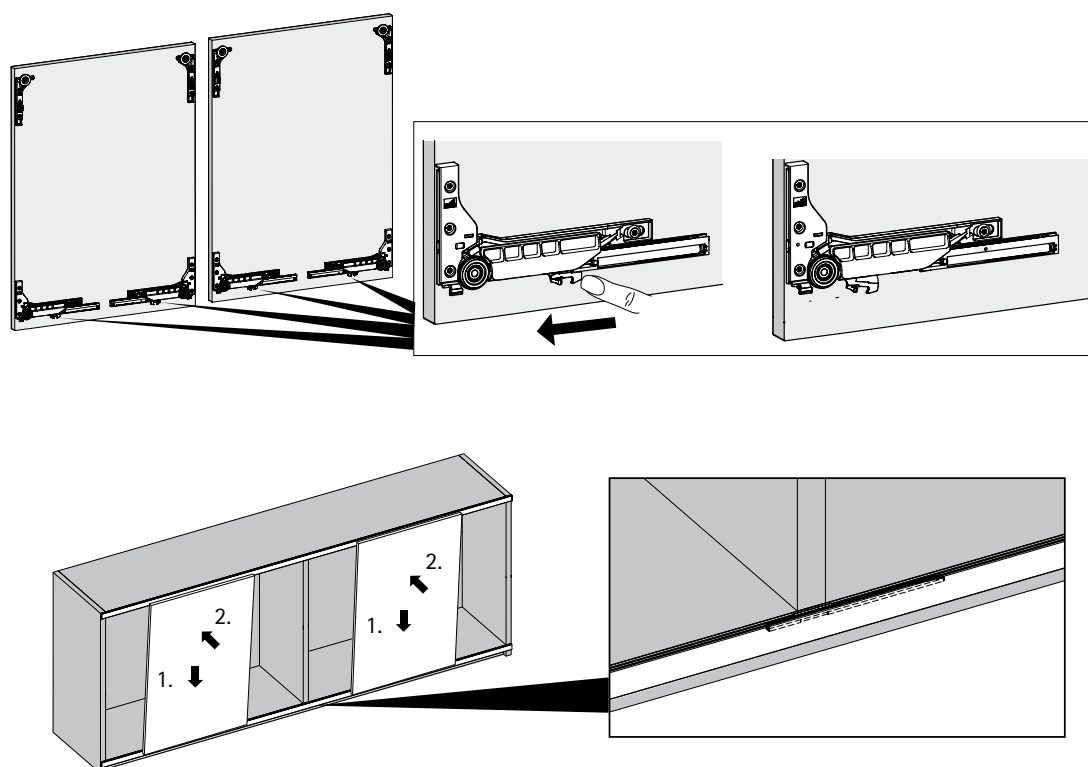
Sliding door system / bottom running

- ▶ SlideLine M / overlay door position
- ▶ Installation

Installing door



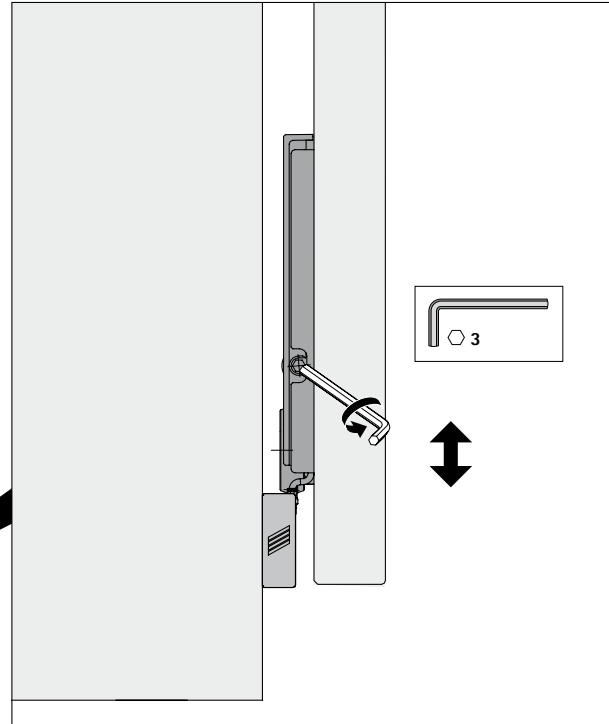
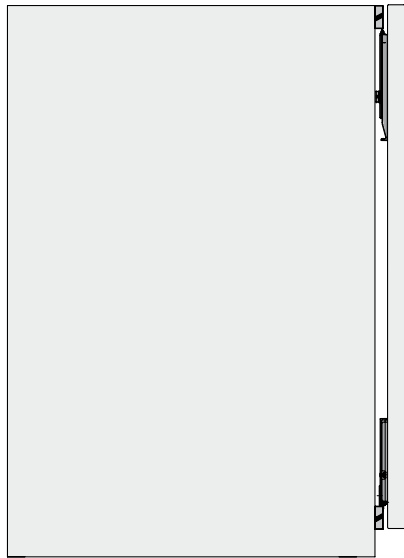
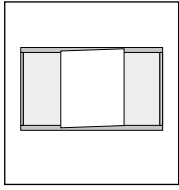
Installing several doors with soft colliding



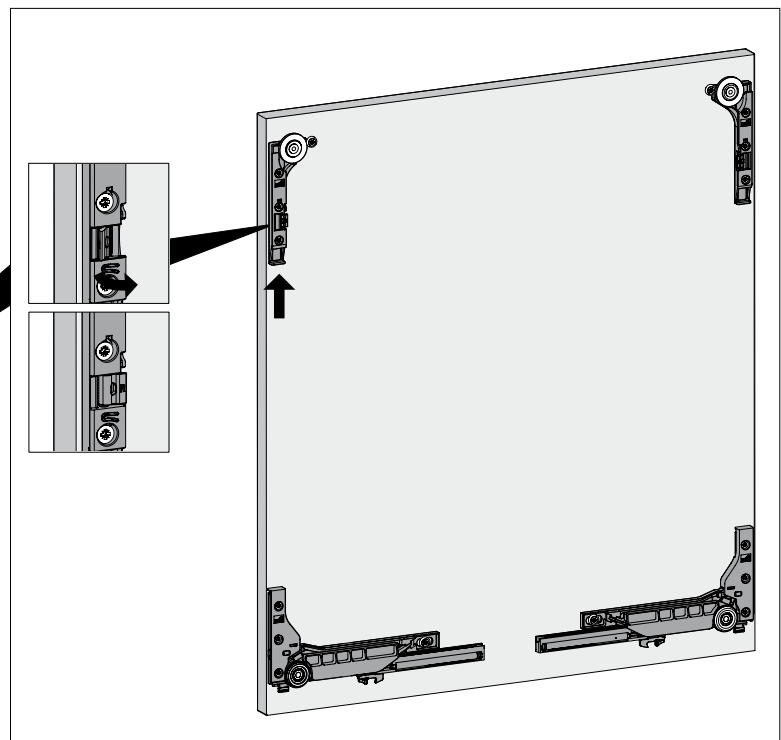
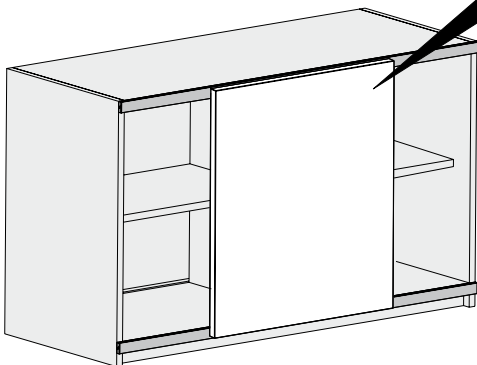
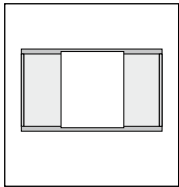
Sliding door system / bottom running

- ▶ SlideLine M / overlay door position
- ▶ Installation

Aligning door



Securing door



Sliding door system / bottom running

- ▶ SlideLine M / inset door position
- ▶ All the benefits at a glance



One system, countless applications. SlideLine M makes child's play of designing and assembling 2-door or 3-door cabinets. There's no limits to your creativity. Whether in the kitchen wall unit, as a clever alcove solution, in children's bedroom furniture or in the sideboard, SlideLine M impresses with its tremendous versatility. Wooden, aluminium framed

or glass doors weighing up to 30 kg are quietly and gently slowed down in closing, opening and colliding direction. The runner and guide profiles can be installed on all sorts of carcass and worktop materials as they can either be screwed on, stuck on or groove mounted.



Design option:

Whether in the wall unit or as clever alcove solution, SlideLine M is an integral part of the modern kitchen.



No risk of trapping: SlideLine M's inset door position and Silent System is also safe for children's little hands and feet.



Tried and tested system:

use of the standard SlideLine M fitting sets.

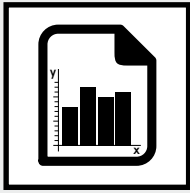


Installation options:

The runner and guide profiles can either be screwed on, stuck on or groove mounted.

Sliding door system / bottom running

- ▶ SlideLine M / inset door position
- ▶ Summary



Performance summary

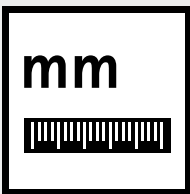
58 – 59

- ▶ Technical details in brief
- ▶ Door sizes
- ▶ Silent System
- ▶ Operating principle



System components

60 – 63



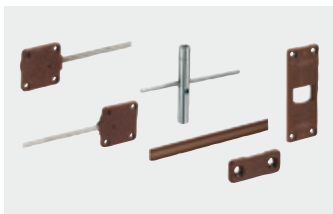
Planning dimensions

64



Installation

65 – 68



Accessories

144 – 145



Technical information

- ▶ Calculating door weights
- ▶ Design advice sliding door systems
- ▶ Quality criteria

160 – 161

162 – 164

165

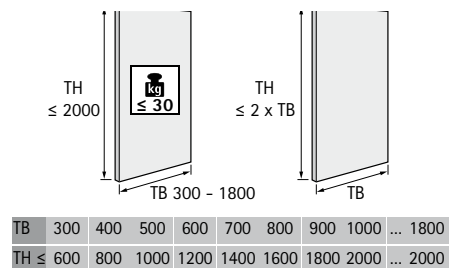
Sliding door system / bottom running

- ▶ SlideLine M / inset door position
- ▶ Performance summary

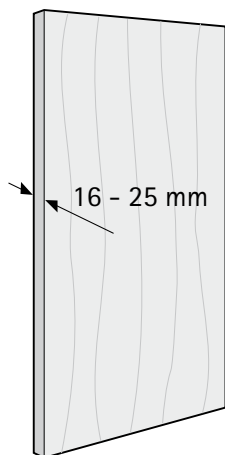
Technical details in brief

- ▶ 1-track or 2-track bottom-running sliding door system
- ▶ Inset door position
- ▶ Wooden, glass or aluminium framed doors
- ▶ 2-door or 3-door application
- ▶ Runner and guide profile for screwing on or pressing in
- ▶ Door weight up to 30 kg
- ▶ Door height up to 2000 mm
- ▶ Door width from 300 - 1800 mm
- ▶ +/- 2 mm height adjustment
- ▶ Silent System in closing, opening and colliding direction
- ▶ Door quickly mounted without the need for tools
- ▶ Tested to EN 15706, Level 3

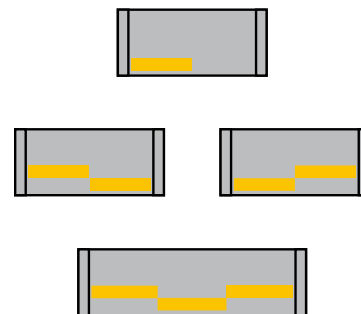
Door format and door weight



Door material



Number of door wings and door position



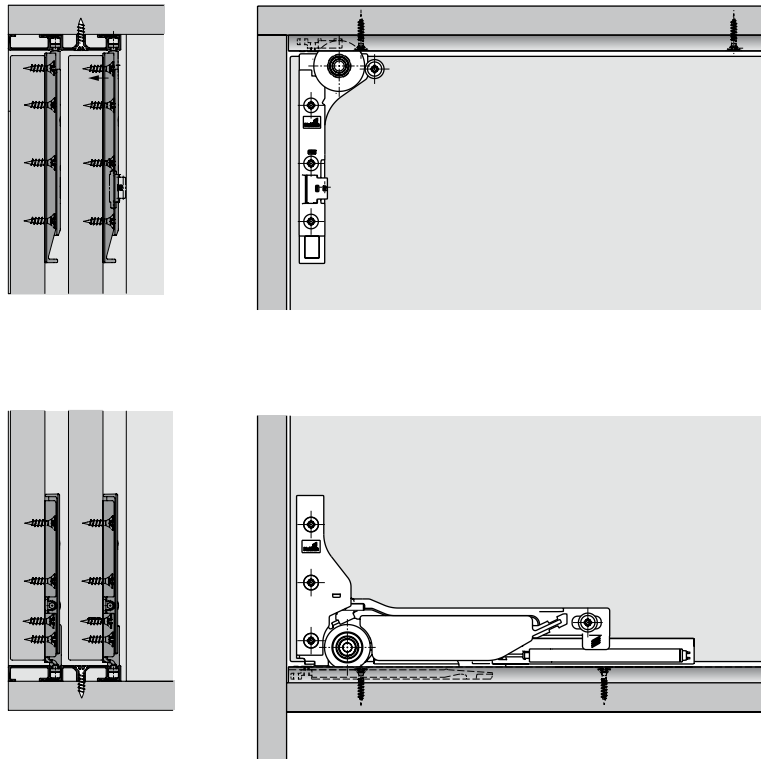
Silent System

	1-door	2-door	3-door	
Soft closing				
Soft opening				
Soft colliding				

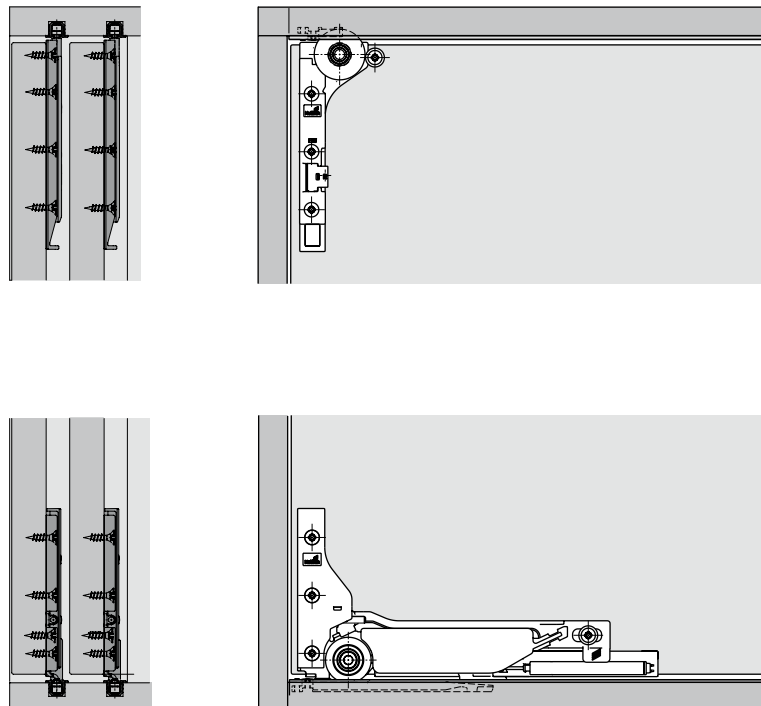
Sliding door system / bottom running

- ▶ SlideLine M / inset door position
- ▶ Performance summary

Operating principle / 2-track runner profile for screwing on / gluing on



Operating principle / 1-track runner profile for pressing in



- ▶ SlideLine M / inset door position
- ▶ System components

Set of fittings for doors with Silent System (soft closing, soft opening and soft colliding)



- ▶ Set contains all the components required for 1 sliding door framed in wooden or 55 mm aluminium profiles with Silent System
- ▶ The set of fittings can be used without an additional upgrade set
- ▶ Suitable sheet metal screws must be used for installing the running and guide components on the 55 mm aluminium frame

Set comprises:

- ▶ 2 running components with Silent System
- ▶ 2 guide components
- ▶ 2 activators
- ▶ 2 end stops, top
- ▶ 2 guide bushes
- ▶ 1 Silent System in colliding direction
- ▶ 1 1.5 mm hexagon socket spanner
- ▶ Fixing screws for wooden doors

Advice:

- ▶ Please order profiles separately

Door weight per door (max)	Door type	Minimum door width in mm	Order no.	PU
10	Wooden door, 55 mm aluminium frame door	450	9 201 921	1 set
30	Wooden doors, 55 mm aluminium framed door	450	9 156 338	1 set

Set of fittings for doors without Silent System



- ▶ Set contains all the components required for 1 sliding door framed in wooden or 55 mm aluminium profiles without Silent System
- ▶ The set of fittings can be used without an additional upgrade set
- ▶ Suitable sheet metal screws must be used for installing the running and guide components on the 55 mm aluminium frame

Set comprises:

- ▶ 2 running components without Silent System
- ▶ 2 guide components
- ▶ 2 end stops, bottom
- ▶ 2 end stops, top
- ▶ 4 guide bushes
- ▶ 1 1.5 mm hexagon socket spanner
- ▶ Fixing screws for wooden doors

Advice:

- ▶ Please order profiles separately

Door type	Minimum door width in mm	Order no.	PU
Wooden doors, 55 mm aluminium framed doors	300	9 156 339	1 set

- ▶ SlideLine M / overlay door position
- ▶ System components

Upgrade set for glue mounted glass doors with Silent System



- ▶ Set contains all the upgrade components required for glue mounting 1 glass sliding door without Silent System
- ▶ For use with 2-component adhesive
- ▶ Supplied without adhesive
- ▶ Mounting adapter material: zinc alloy to DIN EN 12844-ZP5

Set comprises:

- ▶ 2 adhesive mounting adapters for guide components
- ▶ 2 adhesive mounting adapters for running components with Silent System
- ▶ 6 overrun strips
- ▶ 1 special tool

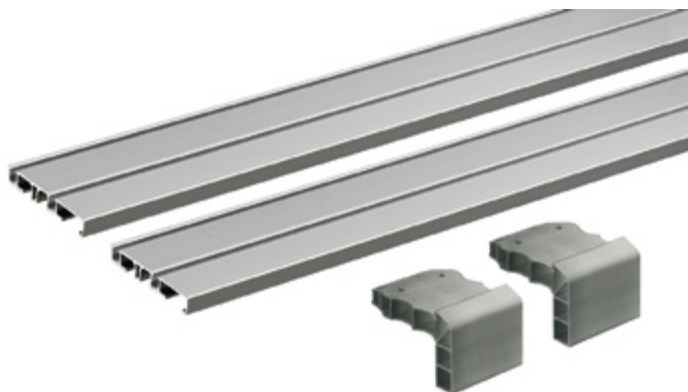
Advice:

- ▶ Please order profiles separately
- ▶ Set of fittings for doors with Silent System must be ordered separately

Door type	Minimum door width in mm	Order no.	PU
Glass sliding door	450	9 184 566	1 set

- ▶ SlideLine M / inset door position
- ▶ System components

Profile set: 2-track runner profile for screwing on / gluing on



- ▶ Set contains all the profile components required for a 2-door or a 3-door cabinet
- ▶ Attachment in the screw slot or attachment using suitable adhesive tape

Set comprises:

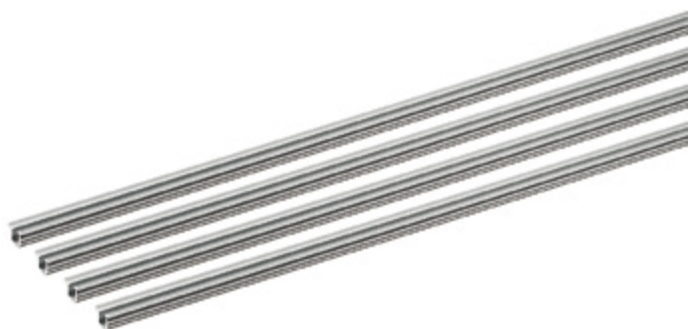
- ▶ 2 runner profiles, aluminium, silver anodized
- ▶ 2 mounting adapters

Advice:

- ▶ Please order fitting sets separately (see page 60)
- ▶ Screws used for attachment in the screw slot must be ordered separately
- ▶ Adhesive tape for glue mounting must be ordered separately

Length mm	Order no.	PU
2500	9 227 245	1 set

Profile set: 1-track runner profile for pressing in



- ▶ Set contains all the profile components required for a 2-door or a 3-door cabinet
- ▶ Runner profiles for pressing in

Set comprises:

- ▶ 4 runner profiles, aluminium, silver anodized

Advice:

- ▶ Please order fitting sets separately (see page 60)

Length mm	Order no.	PU
2500	9 227 246	1 set

Sliding door system / bottom running

- ▶ SlideLine M / inset door position
- ▶ System components

Fixing screws



- ▶ For 2-track runner profile for invisible attachment in screw slot
- ▶ Fixing screws for max. shelf thicknesses of 16, 18/19 and 25 mm
- ▶ Galvanised steel
- ▶ One set of screws must be used for each profile set

Set comprises:
26 screws

Shelf thickness mm	Order no.	PU
16	9 229 240	1 set
18 - 19	9 229 241	1 set
25	9 229 243	1 set

adhesive tape



- ▶ Double sided adhesive tape for gluing on 2-track runner profile
- ▶ 5 metres of adhesive tape must be used per runner profile in a length of 2,500 mm
- ▶ Using adhesive tape requires a suitable, cleaned surface
- ▶ Supplied on 25 m roll
- ▶ Easily shortened

Length m	Order no.	PU
25	9 227 006	4 ea.

Screw on door stop / spacer



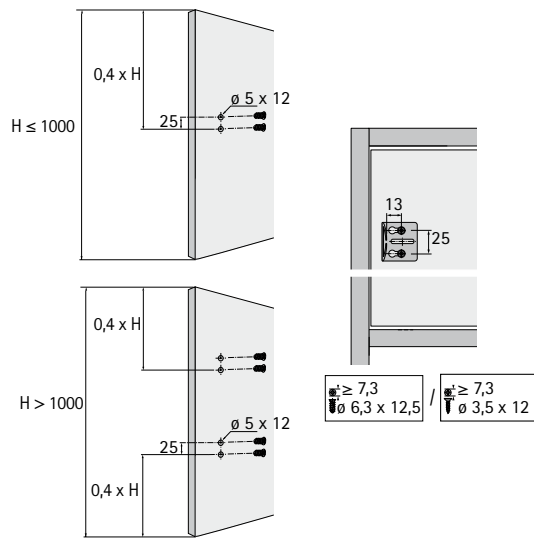
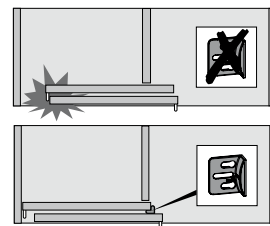
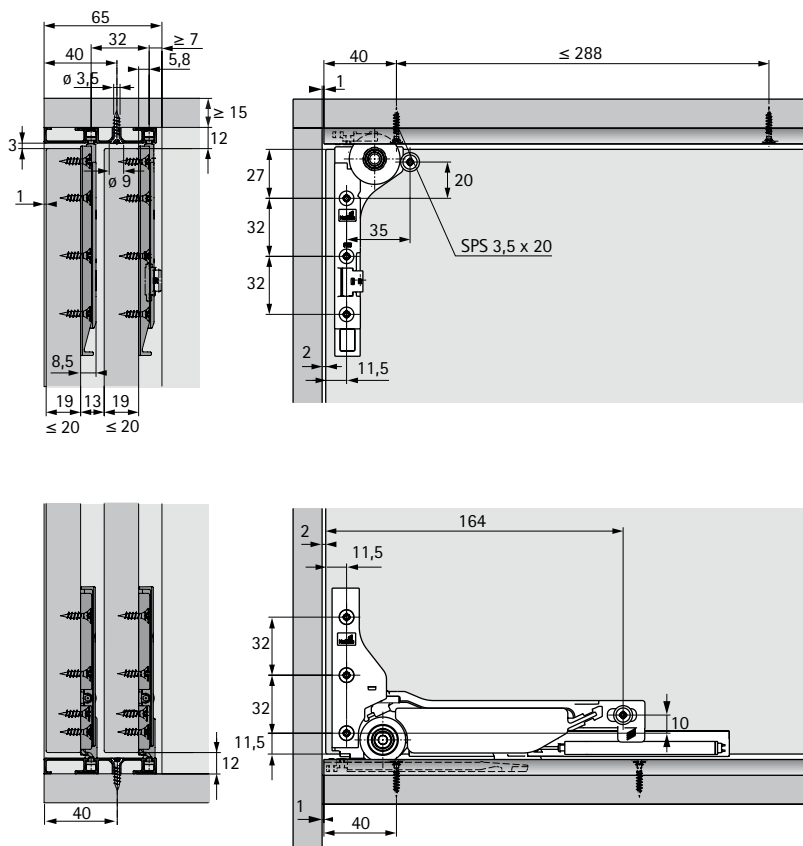
- ▶ 1 door application / spacer required for 2-door cabinet with a door height < 1,000 mm
- ▶ 2 door stops / spacers are required for a 2-door cabinet in a door height > 1,000 mm
- ▶ Plastic, grey

Order no.	PU
9 115 216	1/100 ea.

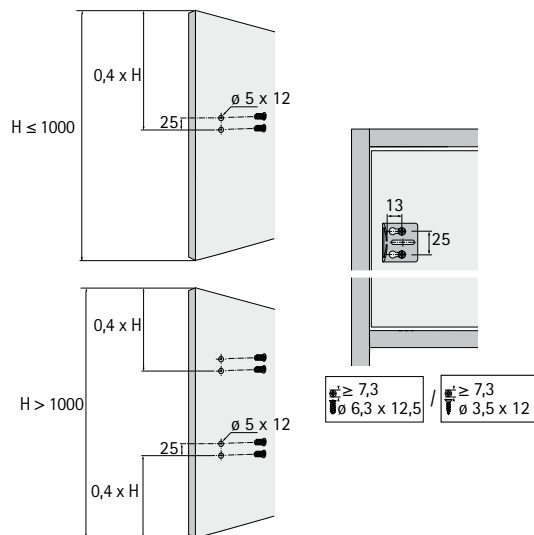
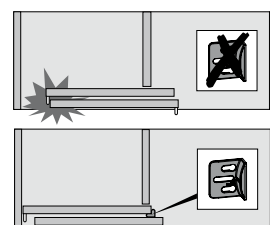
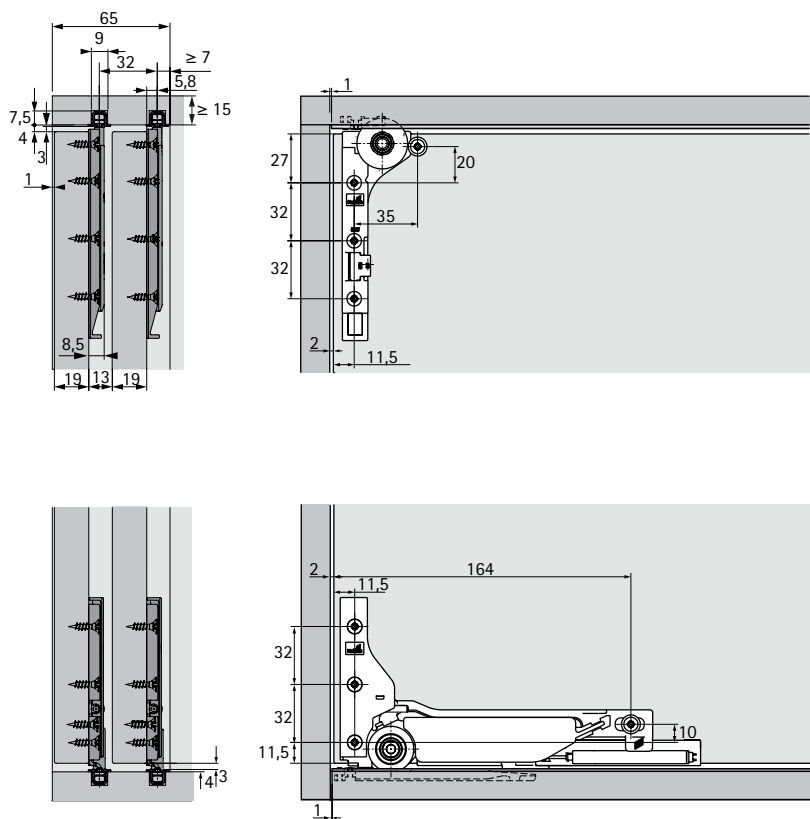
Sliding door system / bottom running

- ▶ SlideLine M / inset door position
- ▶ Planning dimensions

Installing 2-track runner profile for screwing on / gluing on



Installing 1-track runner profile for pressing in

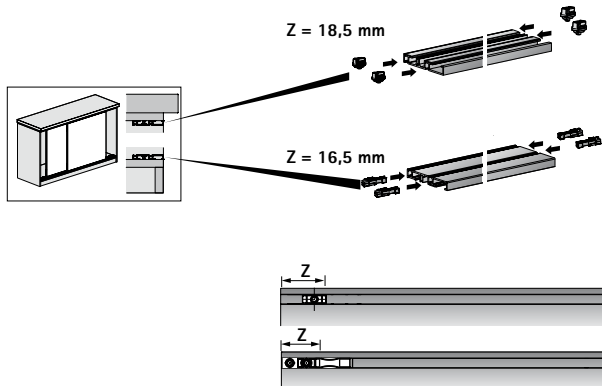


Sliding door system / bottom running

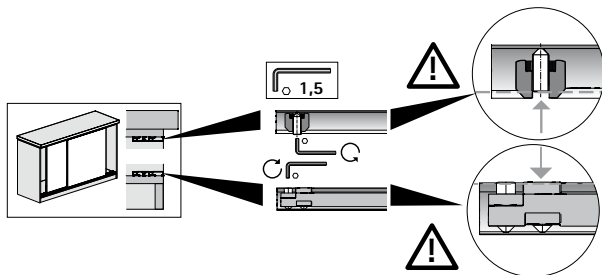
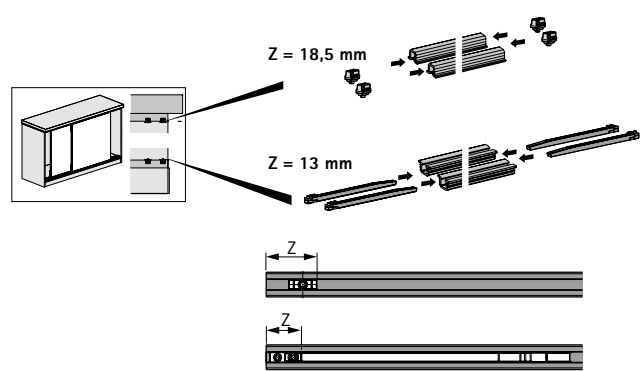
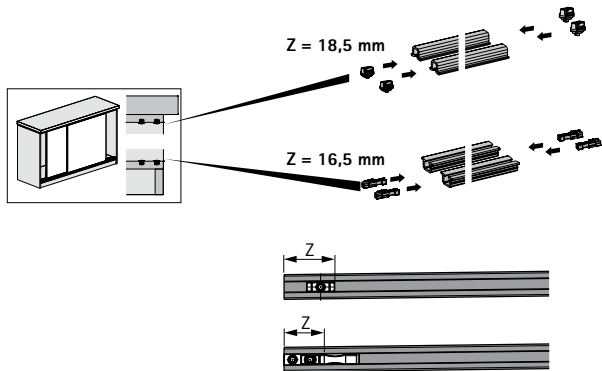
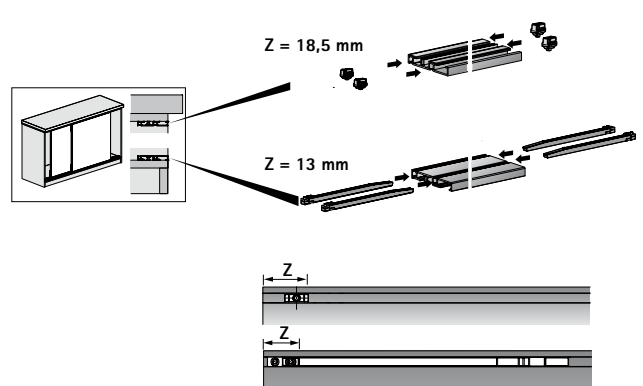
- ▶ SlideLine M / inset door position
- ▶ Installation

Installing activators and end stops in the runner profile

Silent System:



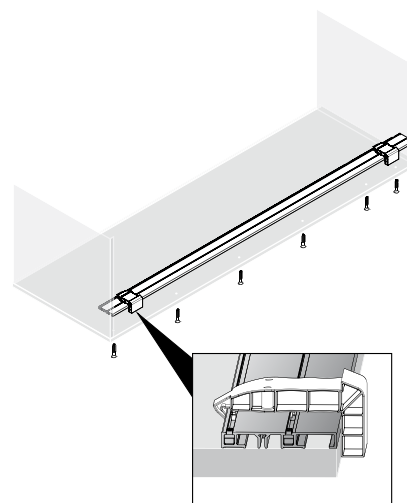
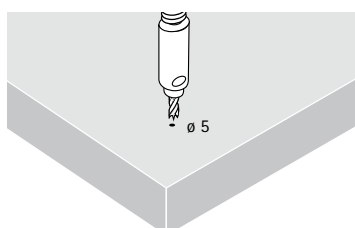
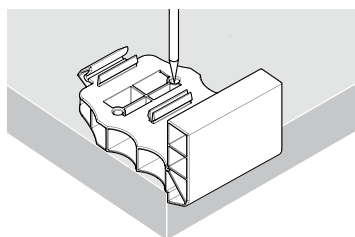
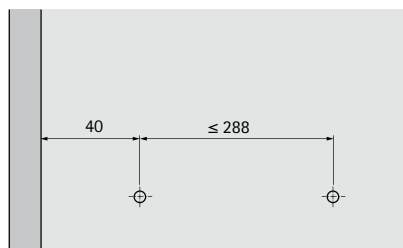
Silent System:



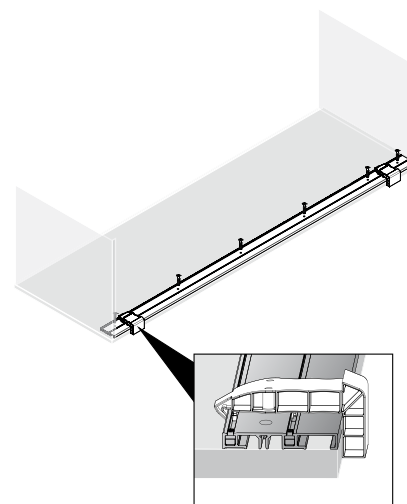
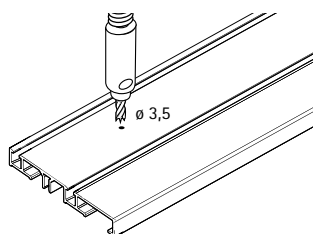
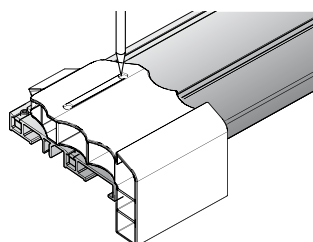
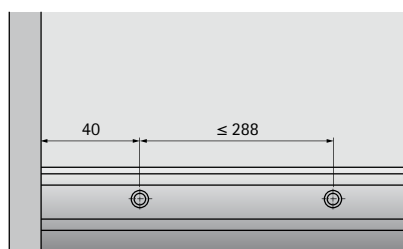
Sliding door system / bottom running

- ▶ SlideLine M / inset door position
- ▶ Installation

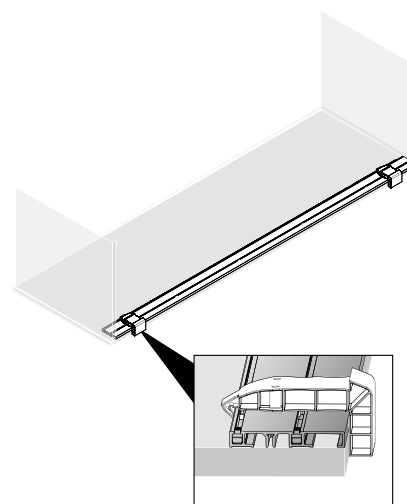
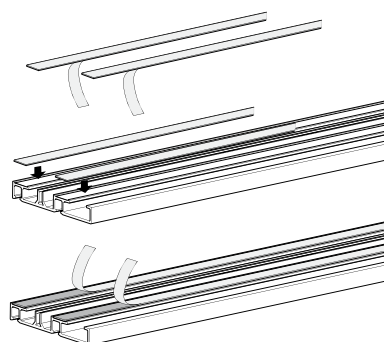
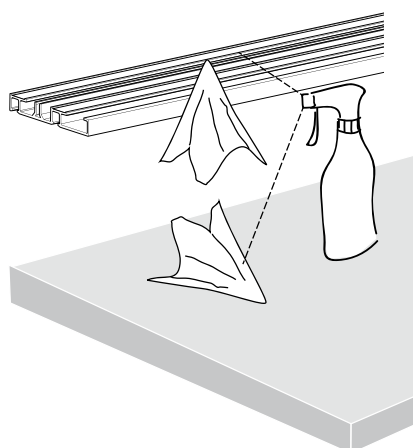
Installing 2-track runner profile for screwing on in the screw slot



Installing 2-track runner profile for screwing on



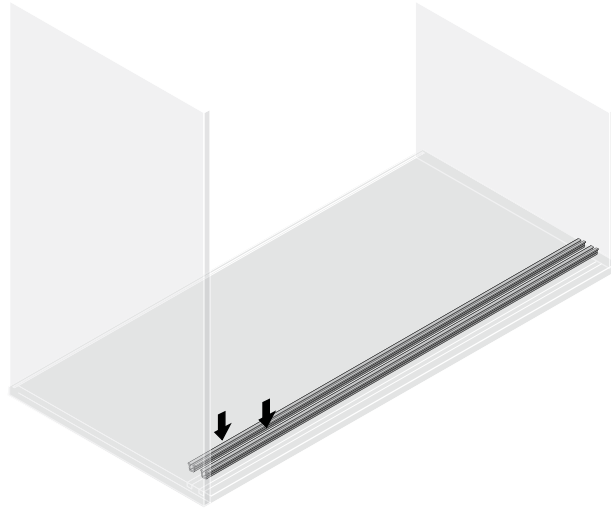
Installing 2-track runner profile for gluing on



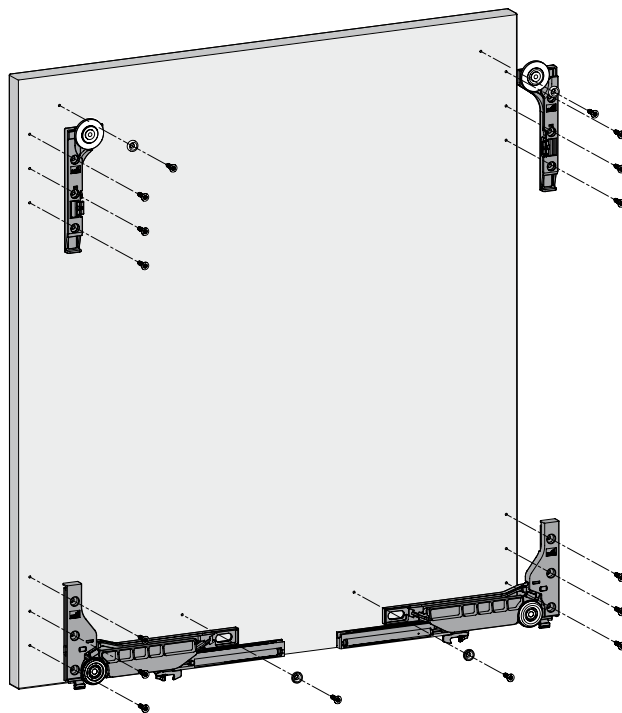
Sliding door system / bottom running

- ▶ SlideLine M / inset door position
- ▶ Installation

Installing 1-track runner profile for pressing in



Installing the fitting and upgrade sets

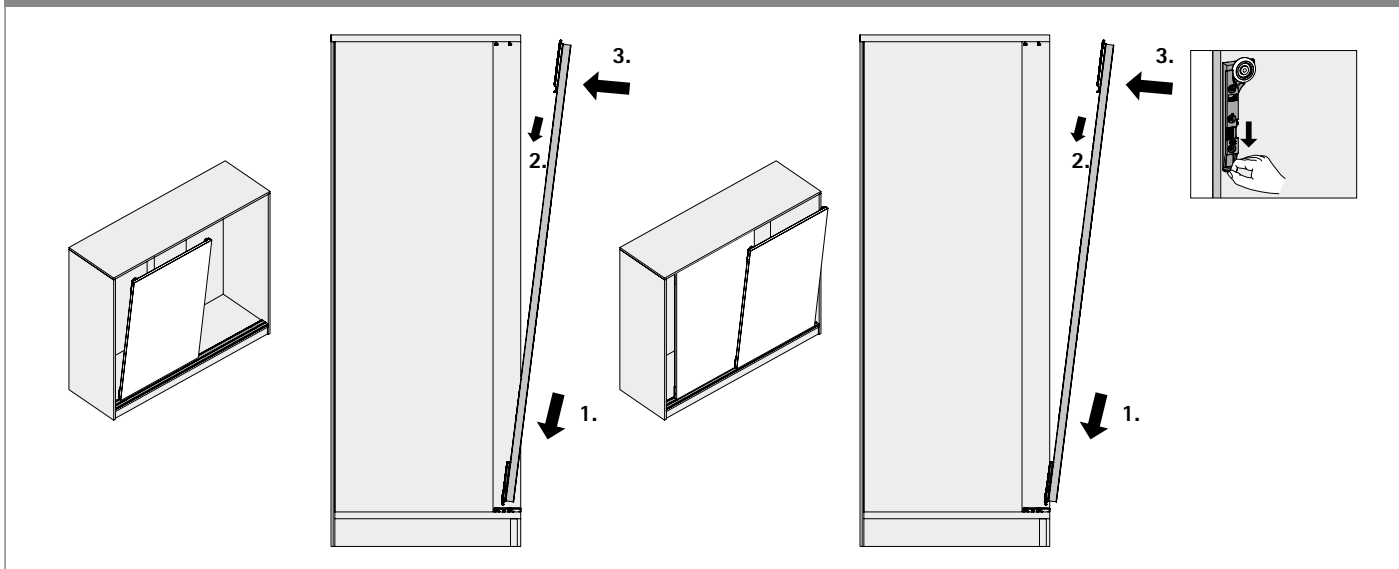


Sliding door system / bottom running

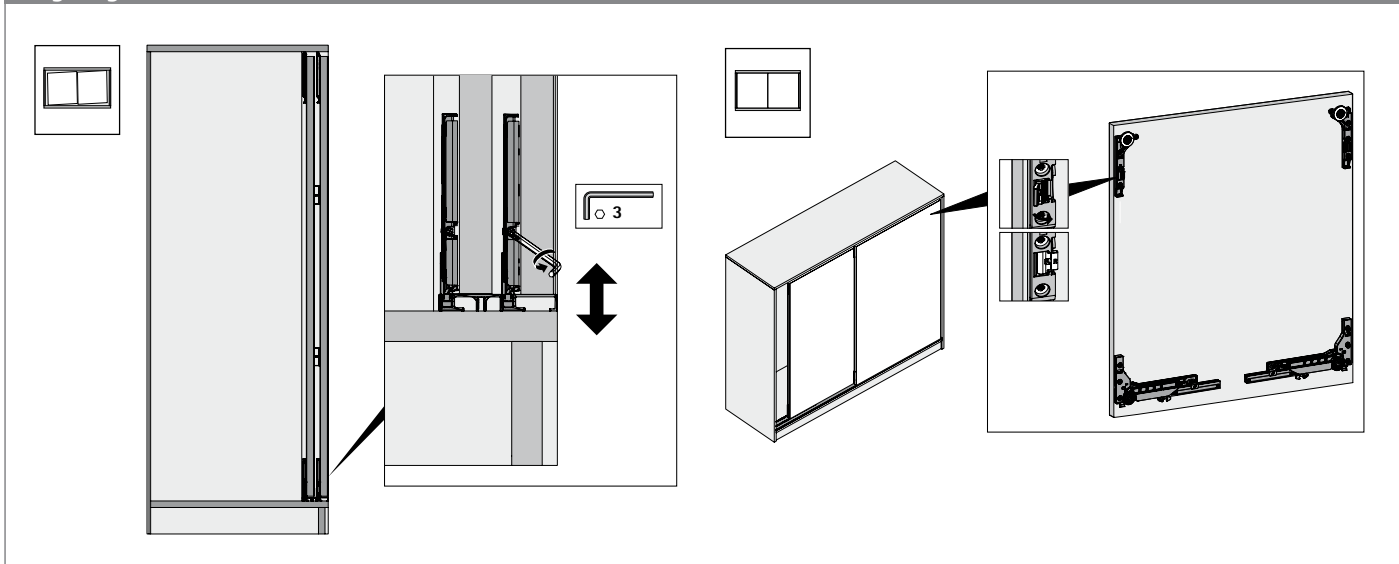
▶ SlideLine M / inset door position

▶ Installation

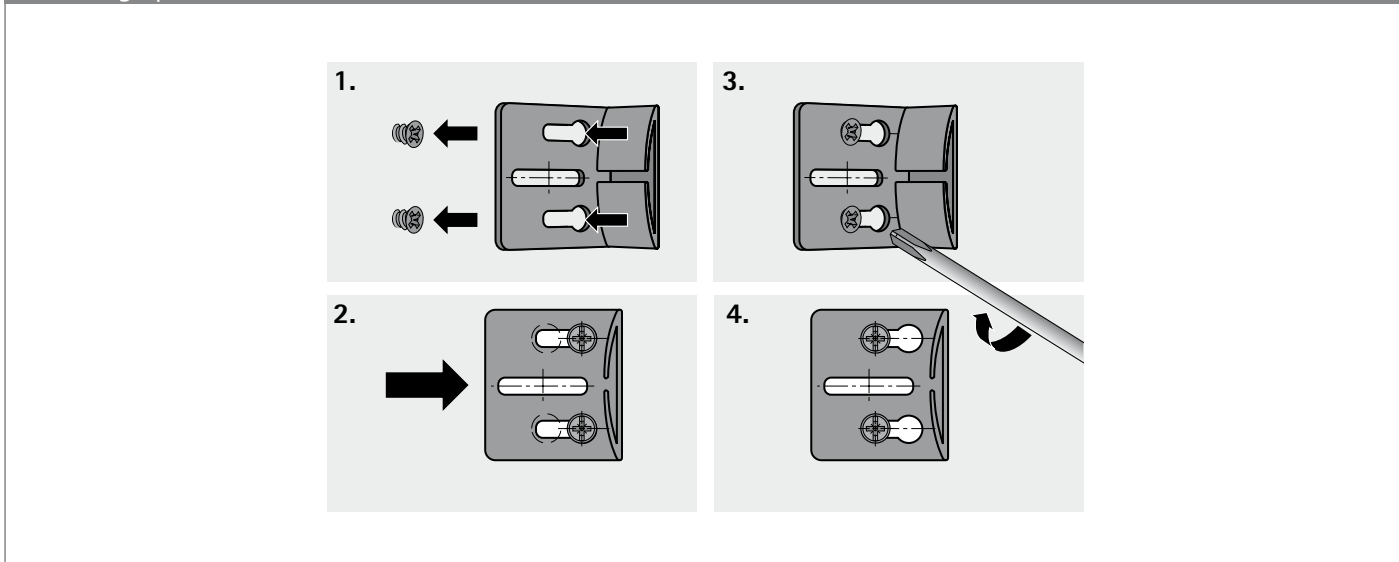
Installation the doors



Aligning doors



Installing spacer



Sliding door system / bottom running

- ▶ SlideLine 55 Plus / overlay and inset door position
- ▶ All the benefits at a glance



Attraction for the office. SlideLine 55 Plus combines superb convenience and design with unbeatable value for money. SlideLine 55 Plus brings smooth and quiet running action to sliding doors – if preferred, with integrated

Silent System. The fitting permits tool-less precision adjustment. Particularly in conjunction with overlay doors, this creates furniture with a high quality aura all of its own.



Efficient: wide opening sliding doors for optimum use of storage space.



Invisible: the integrated Silent System does not interfere with storage space.



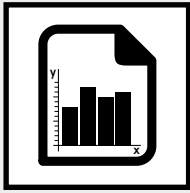
Versatile: furniture can be designed with inset or overlay doors using just 1 system.



Space efficient: sliding doors provide greater freedom of movement at the workplace.

Sliding door system / bottom running

- ▶ SlideLine 55 Plus / overlay and inset door position
- ▶ Summary



Performance summary

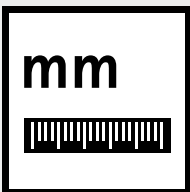
72 – 73

- ▶ Technical details in brief
- ▶ Door sizes
- ▶ Silent System
- ▶ Operating principle



System components

74 – 76



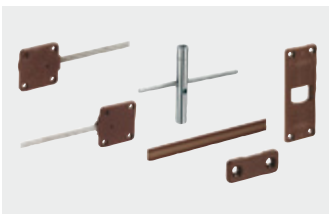
Planning dimensions

77 – 78



Installation

79 – 83



Accessories

144 – 145



Technical information

- ▶ Calculating door weights
- ▶ Design advice sliding door systems
- ▶ Quality criteria

160 – 161

162 – 164

165

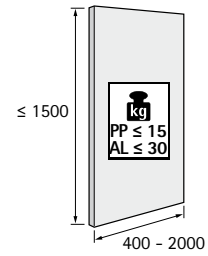


- ▶ SlideLine 55 Plus / overlay and inset door position
- ▶ Performance summary

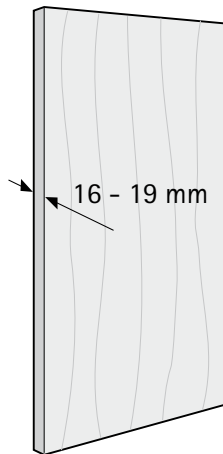
Technical details in brief

- ▶ 2-track, bottom-running sliding door system
- ▶ Inset, overlay door position
- ▶ For wooden doors
- ▶ Door weight up to 15 kg with plastic profiles
- ▶ Door weight up to 30 kg with aluminium profiles
- ▶ Door height up to 1500 mm
- ▶ Door width 400 - 2000 mm
- ▶ Door thicknesses 16 - 19 mm
- ▶ Height adjustment +/- 1.5 mm, tool-less
- ▶ Tested to EN 15706, Level 3

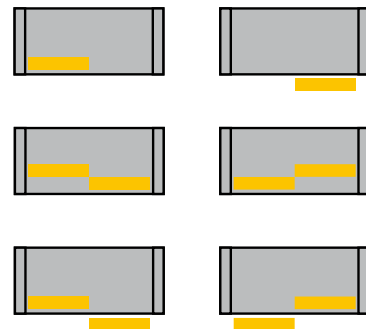
Door format and door weight



Door material



Number of door wings and door position



Silent System

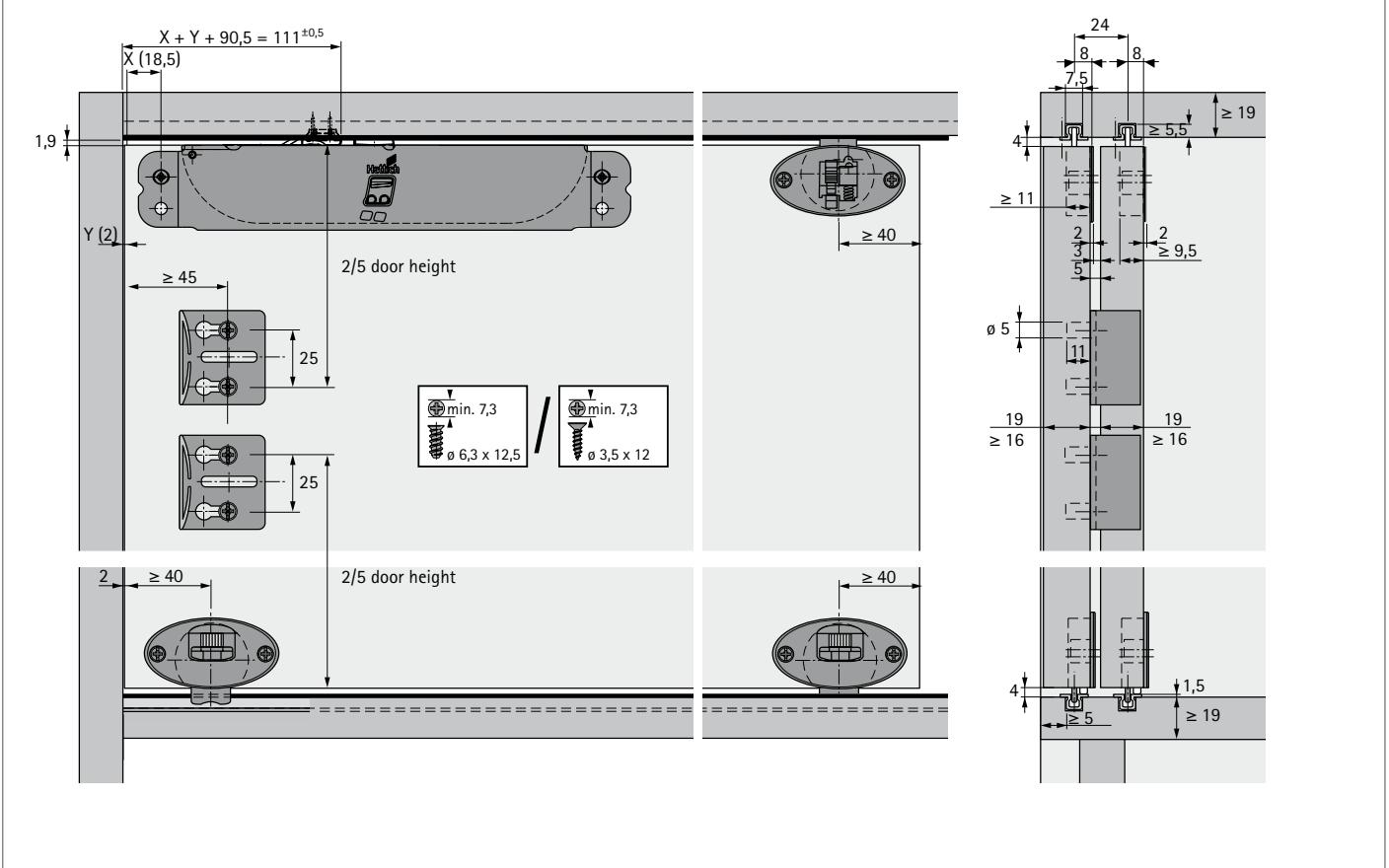
	1-door	2-door		
Soft closing				
Soft opening				

Sliding door system / bottom running

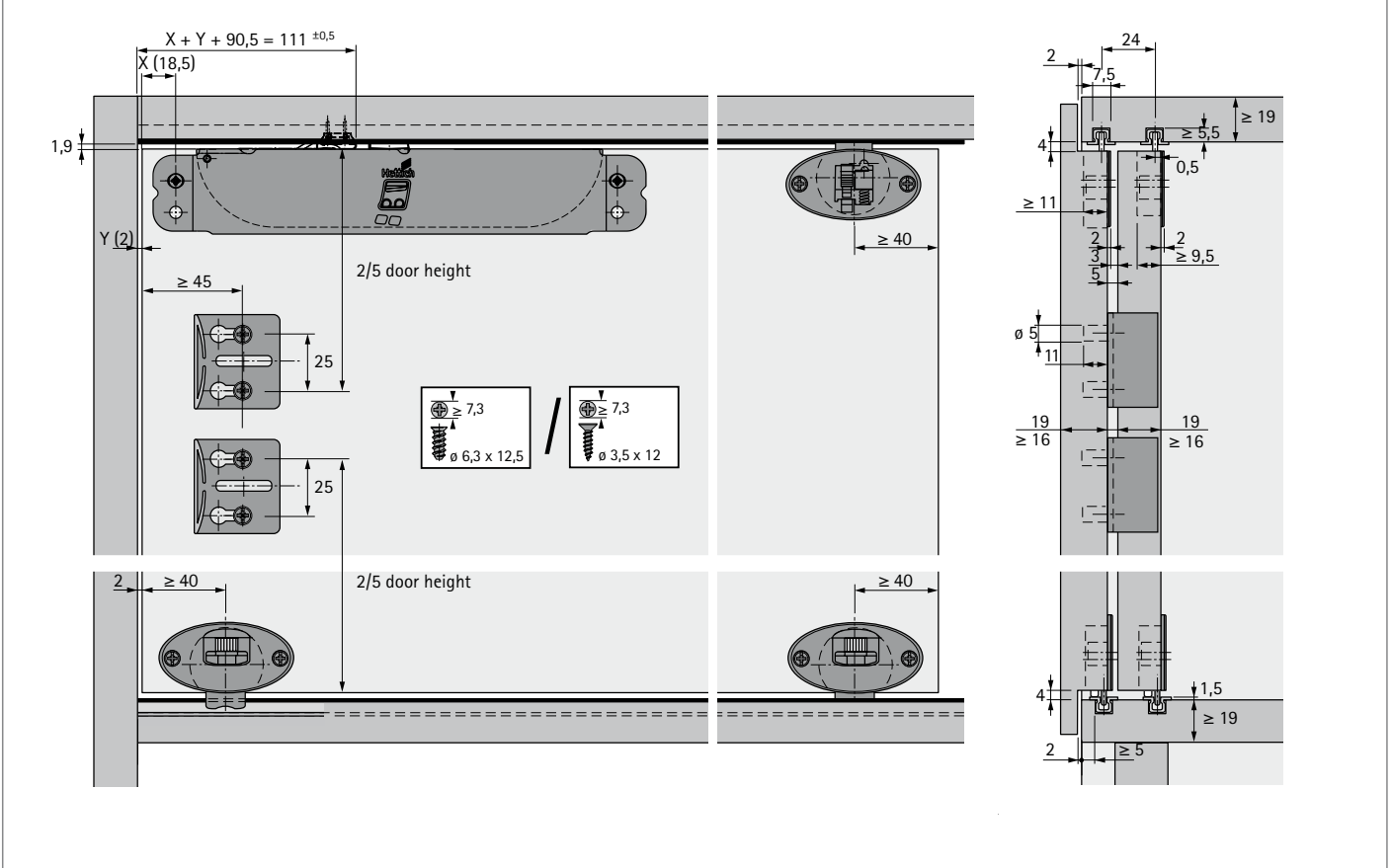


- ▶ SlideLine 55 Plus / overlay and inset door position
- ▶ Performance summary

Operating principle / SlideLine 55 Plus with Silent System / inset door position



Operating principle / SlideLine 55 Plus with Silent System / overlay door position



- ▶ SlideLine 55 Plus / overlay and inset door position
- ▶ System components

Runner component for inset doors, screw on



- ▶ 2 running components must be fitted per door
- ▶ Tool-less height adjustment ± 1.5 mm
- ▶ Plastic, grey

Order no.	PU
9 115 219	1/100 ea.

Runner component for rebated doors, screw on



- ▶ 2 running components must be fitted per door
- ▶ Tool-less height adjustment ± 1.5 mm
- ▶ Plastic, grey

Order no.	PU
9 115 954	1/100 ea.

Guide component for inset doors, screw on



- ▶ 2 guide components must be fitted per door
- ▶ With spring-loaded bolt and latch
- ▶ Plastic, grey

Order no.	PU
9 115 217	1/100 ea.

Guide component for rebated doors, screw on



- ▶ 2 guide components must be fitted per door
- ▶ With spring-loaded bolt and latch
- ▶ Plastic, grey

Order no.	PU
9 115 955	1/100 ea.

Sliding door system / bottom running

- ▶ SlideLine 55 Plus / overlay and inset door position
- ▶ System components

Silent System for screwing onto inset doors



- ▶ Suitable for inset wooden doors
- ▶ Installed position: left or right
- ▶ Minimum door width with soft closing element: 400 mm
- ▶ Minimum door width with soft closing and soft opening: 550 mm
- ▶ Housing: metal, galvanised
- ▶ Interior: plastic, grey

Version	Order no.	PU
left	9 119 584	1/30 ea.
right	9 119 585	1/30 ea.

Silent System for screwing onto overlay (rebated) doors



- ▶ Suitable for overlay (rebated) wooden doors
- ▶ Installed position: left or right
- ▶ Minimum door width with soft closing element: 400 mm
- ▶ Minimum door width with soft closing and soft opening: 550 mm
- ▶ Housing: metal, galvanised
- ▶ Interior: plastic, grey

Version	Order no.	PU
left	9 119 587	1/30 ea.
right	9 119 586	1/30 ea.

Activator for Silent System



- ▶ Can be used for left and right-hand door
- ▶ 1 activator must be fitted per soft-close mechanism
- ▶ Attached by means of premounted nails
- ▶ Plastic, grey

Order no.	PU
9 118 477	1/300 ea.

Positioning aid



- ▶ For installing the activator in the top runner profile
- ▶ Galvanised steel

Order no.	PU
9 136 109	1 ea.

- ▶ SlideLine 55 Plus / overlay and inset door position
- ▶ System components

Runner and guide profiles



- ▶ 4 profiles must be fitted on a 2-door cabinet
- ▶ Plastic profiles: max. door weight 15 kg
- ▶ Aluminium profiles: max. door weight 30 kg

Material	Surface finish / colour	Length mm	Order no.	PU
Plastic	white	4000	0 025 120	1/30 ea.
Plastic	brown	4000	0 025 121	1/30 ea.
Plastic	grey	4000	0 061 546	1/30 ea.
Plastic	black	4000	0 066 900	1/30 ea.
Aluminium	silver Anodized	4000	1 079 090	1/4 ea.

Screw on door stop / spacer



- ▶ 1 door application / spacer required for 2-door cabinet with a door height <1,000 mm
- ▶ 2 door stops / spacers are required for a 2-door with a door height >1,000 mm
- ▶ Plastic, grey

Order no.	PU
9 115 216	1/100 ea.

Stay closed function

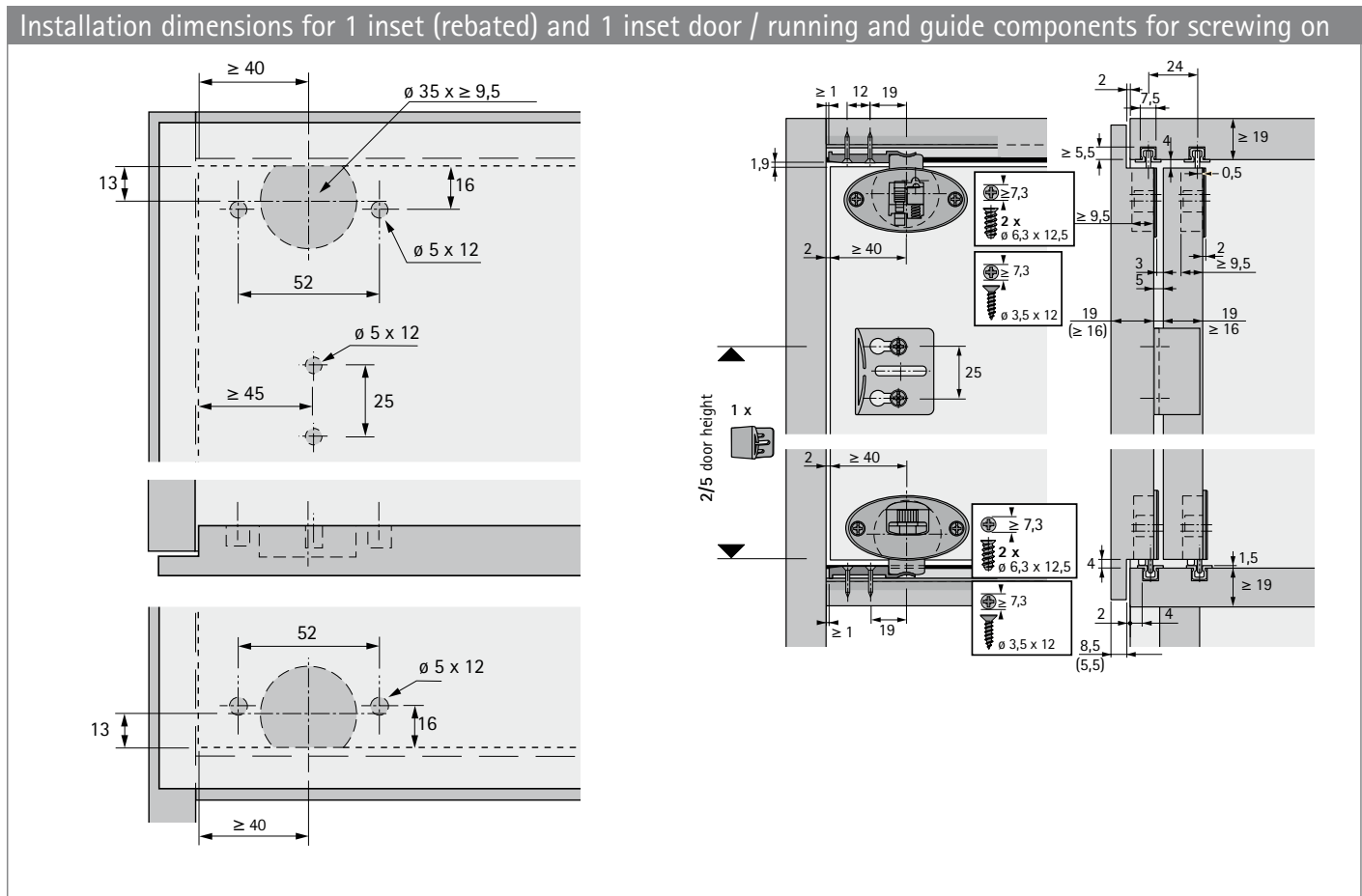
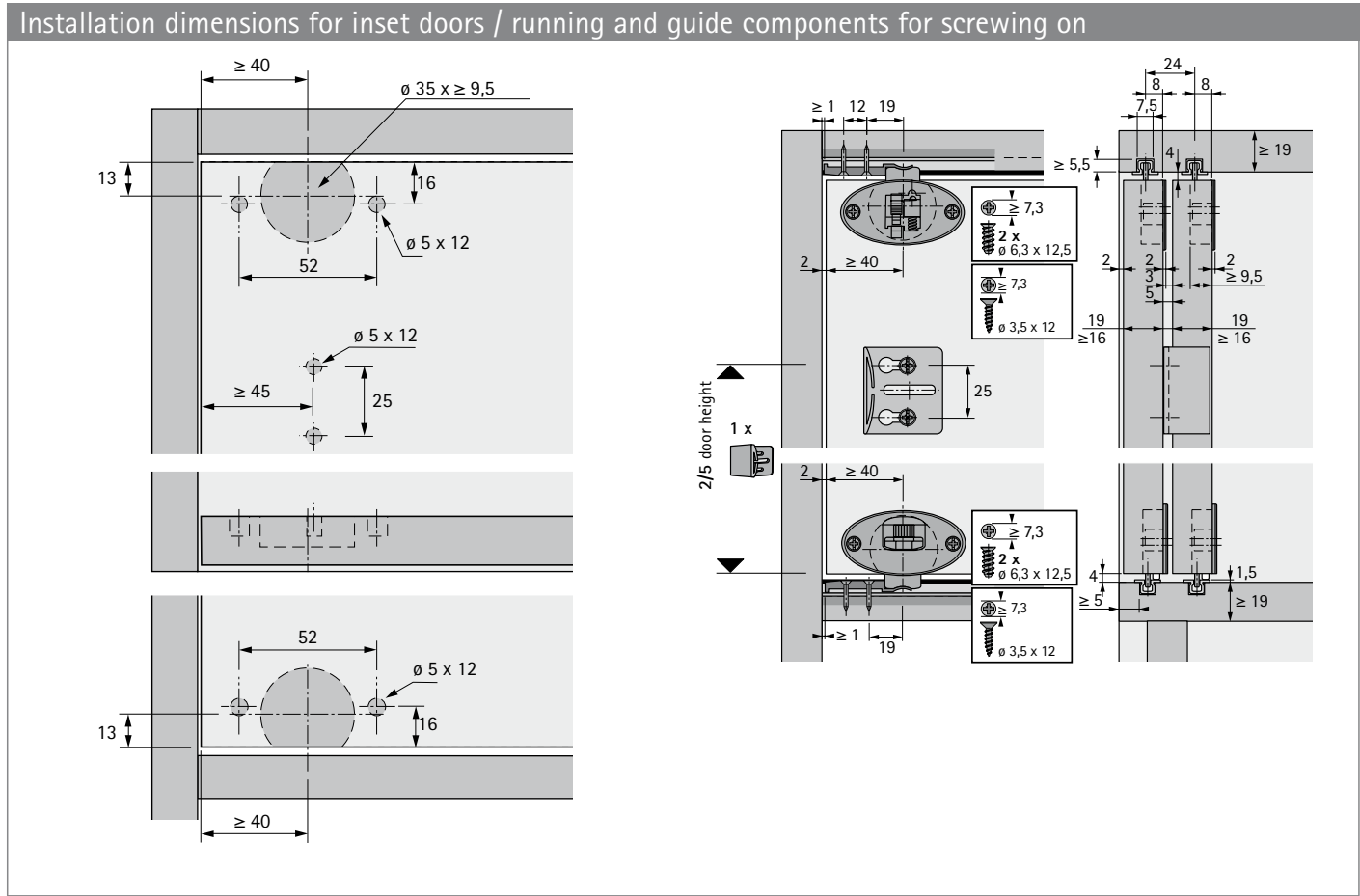


- ▶ Can be used for left and right-hand door
- ▶ 2 stay closed functions must be fitted per door
- ▶ Stay closed function is not required when using Silent System
- ▶ Attached by means of premounted nails
- ▶ Plastic, grey

Order no.	PU
9 115 218	1/100 ea.

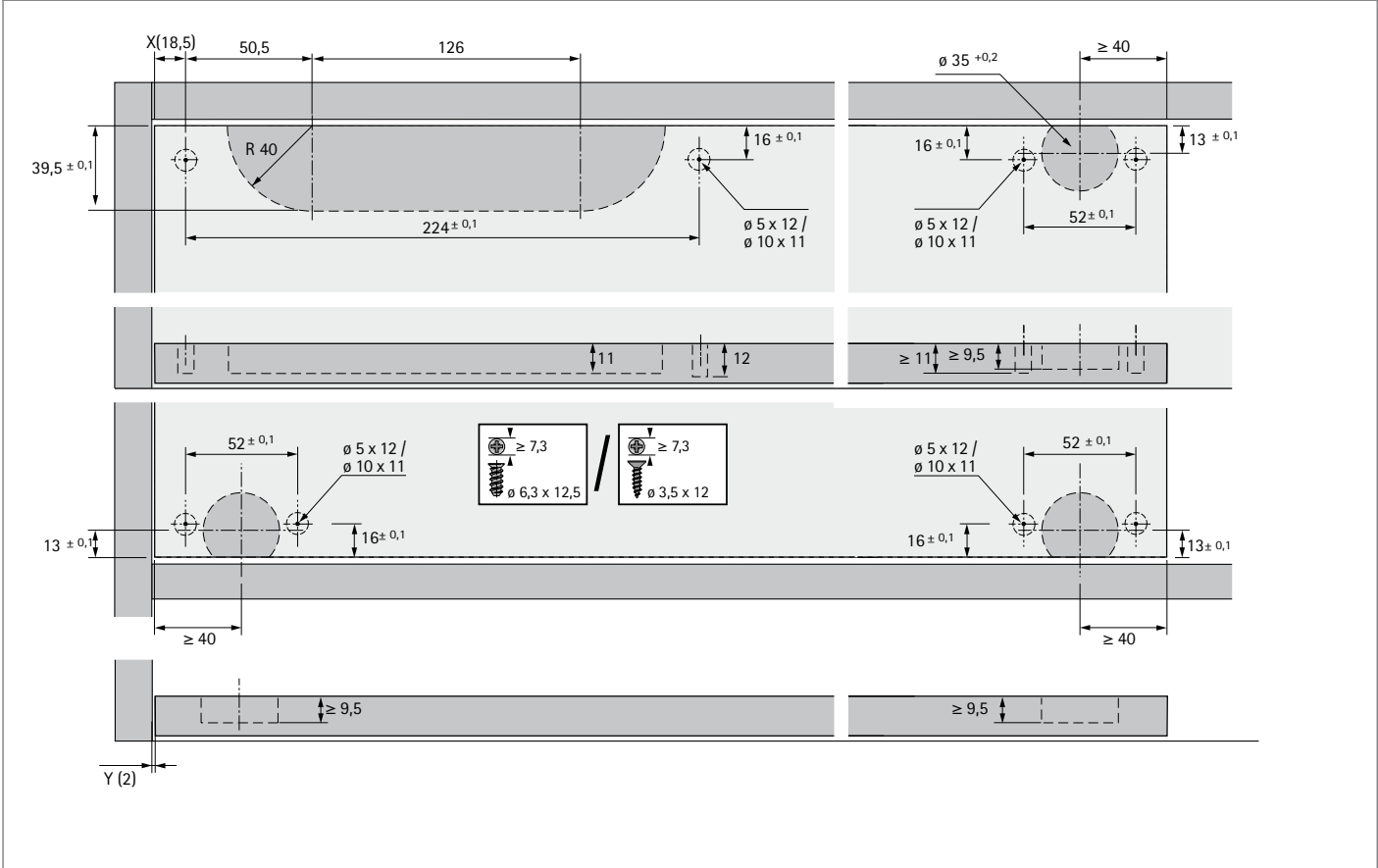
Sliding door system / bottom running

- ▶ SlideLine 55 Plus / overlay and inset door position
- ▶ Planning dimensions

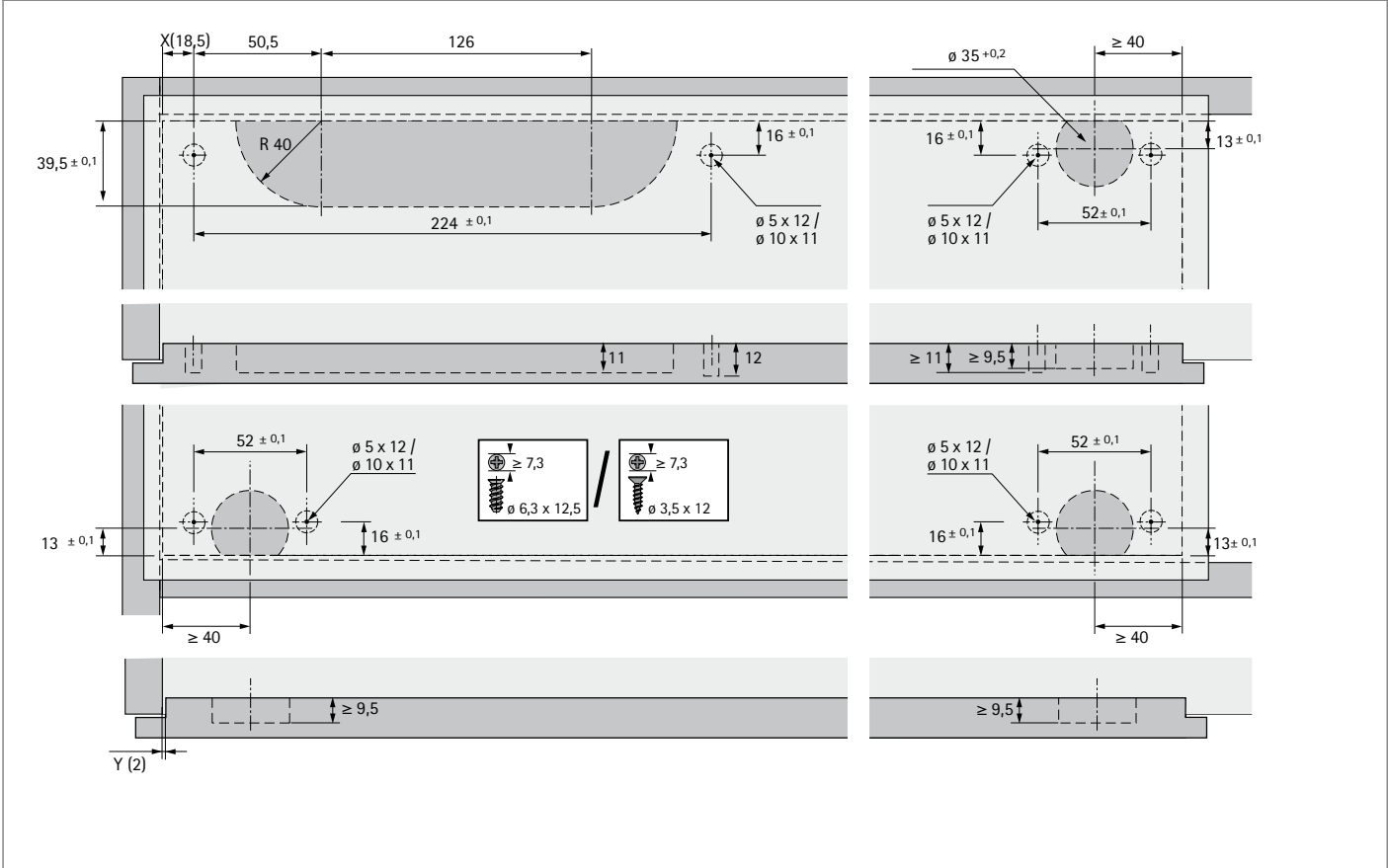


- ▶ SlideLine 55 Plus / overlay and inset door position
- ▶ Planning dimensions

Installation dimensions for 2 inset doors with Silent System



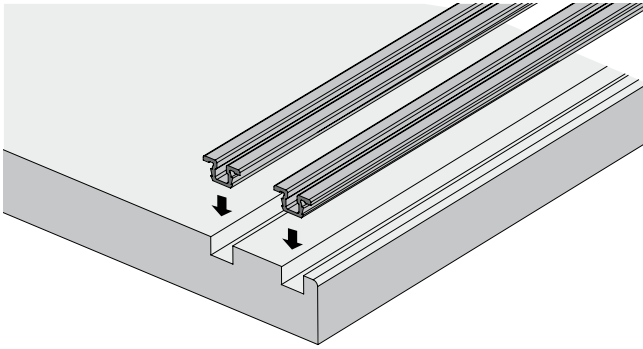
Installation dimensions for 1 overlay (rebated) and 1 inset door with Silent System



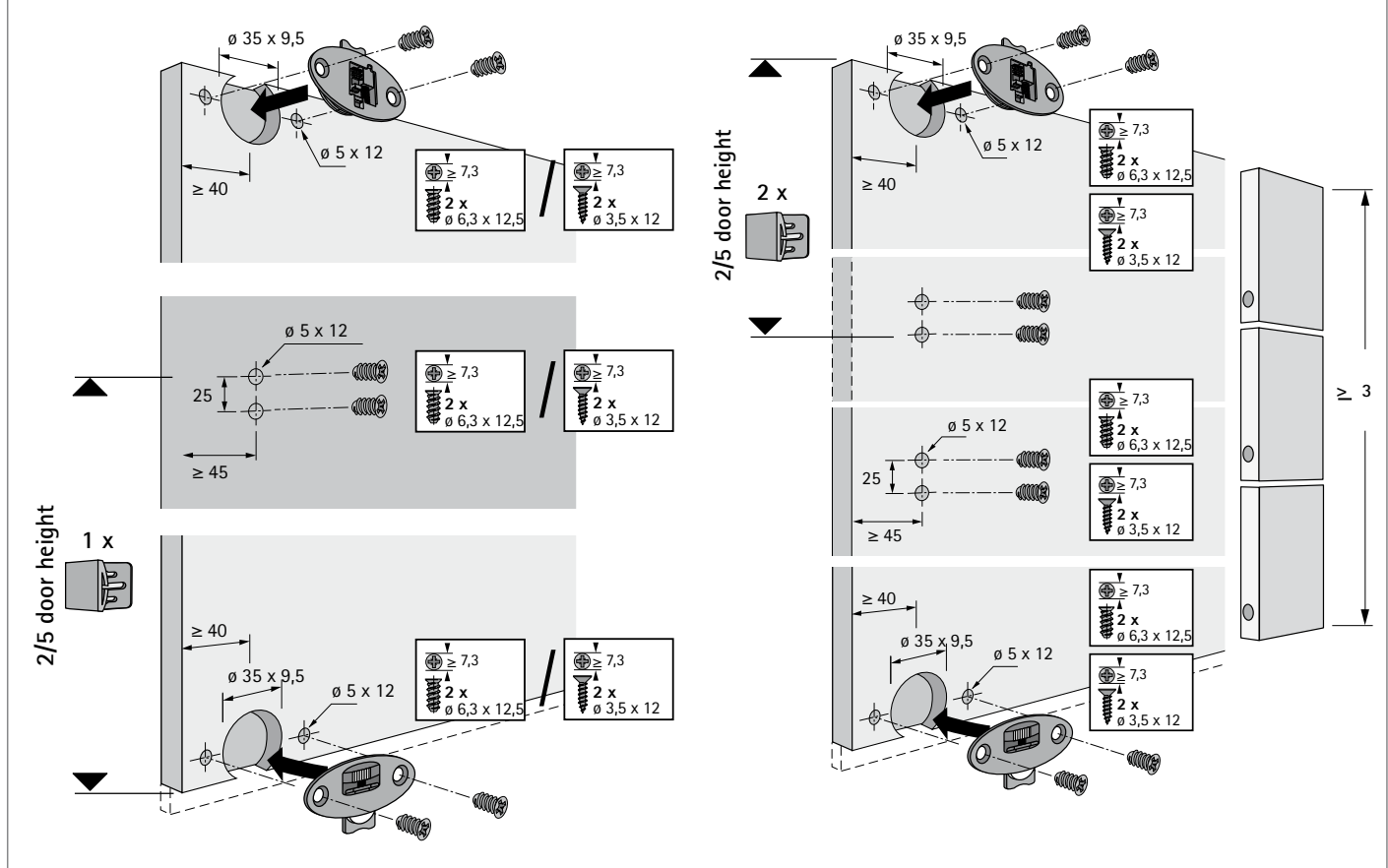
Sliding door system / bottom running

- ▶ SlideLine 55 Plus / overlay and inset door position
- ▶ Installation

Installation runner and guide profile



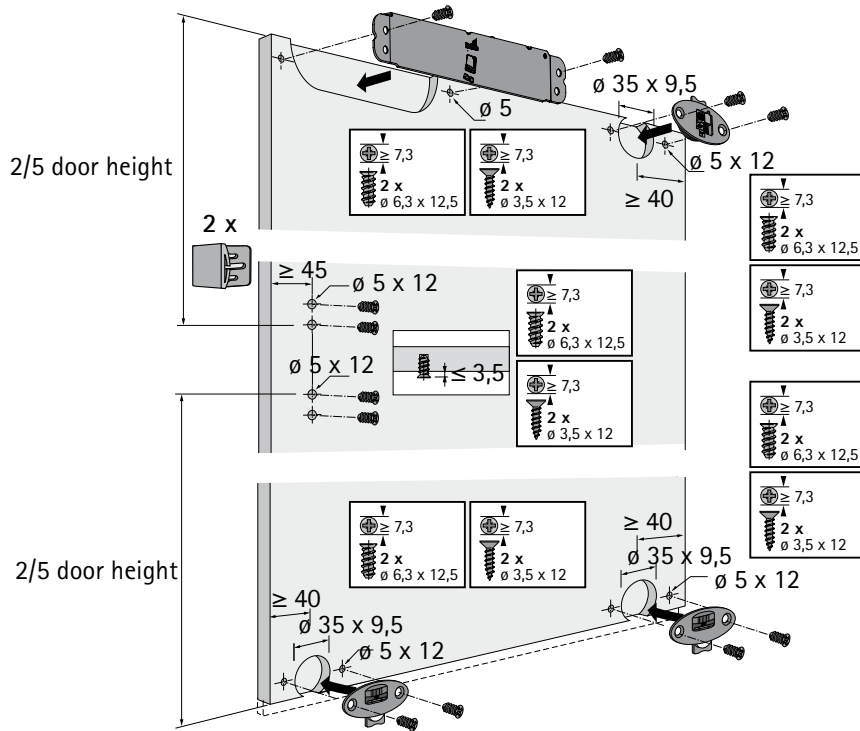
Installing running and guide components for screwing on



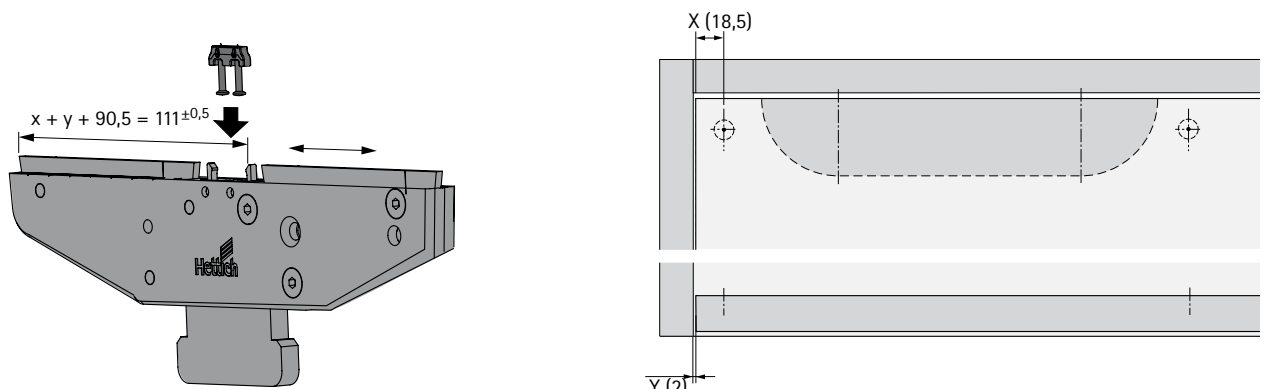
Sliding door system / bottom running

- ▶ SlideLine 55 Plus / overlay and inset door position
- ▶ Installation

Installing running and guide components with Silent System for screwing on



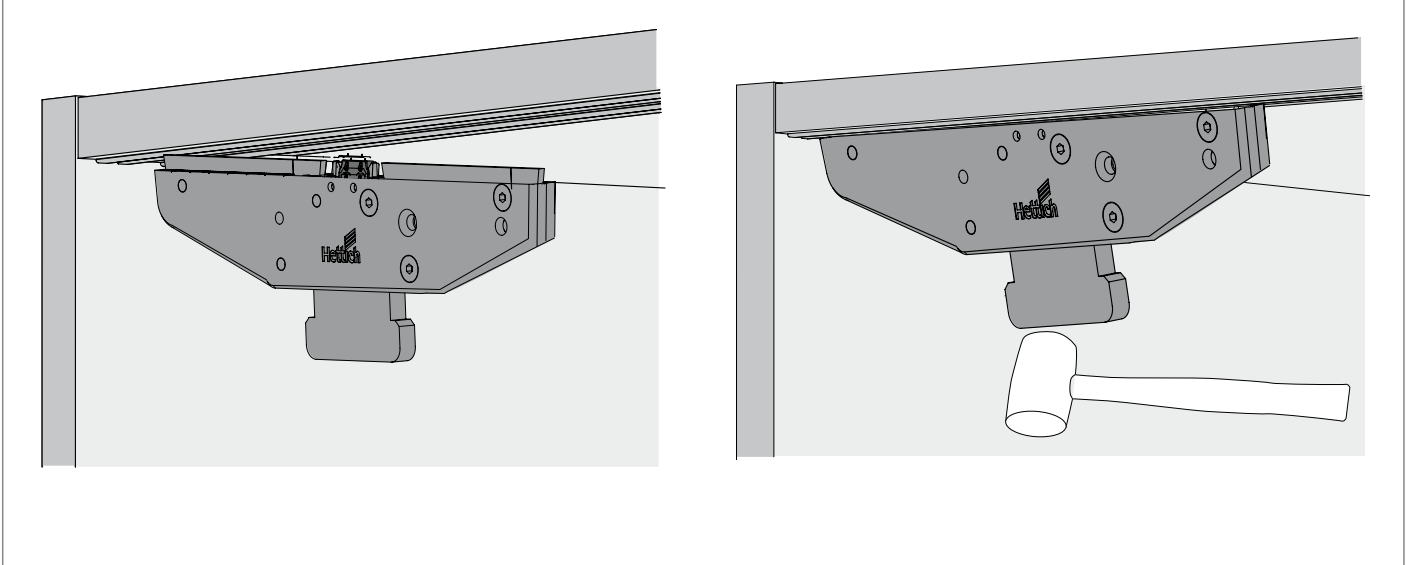
Positioning the activator for Silent System



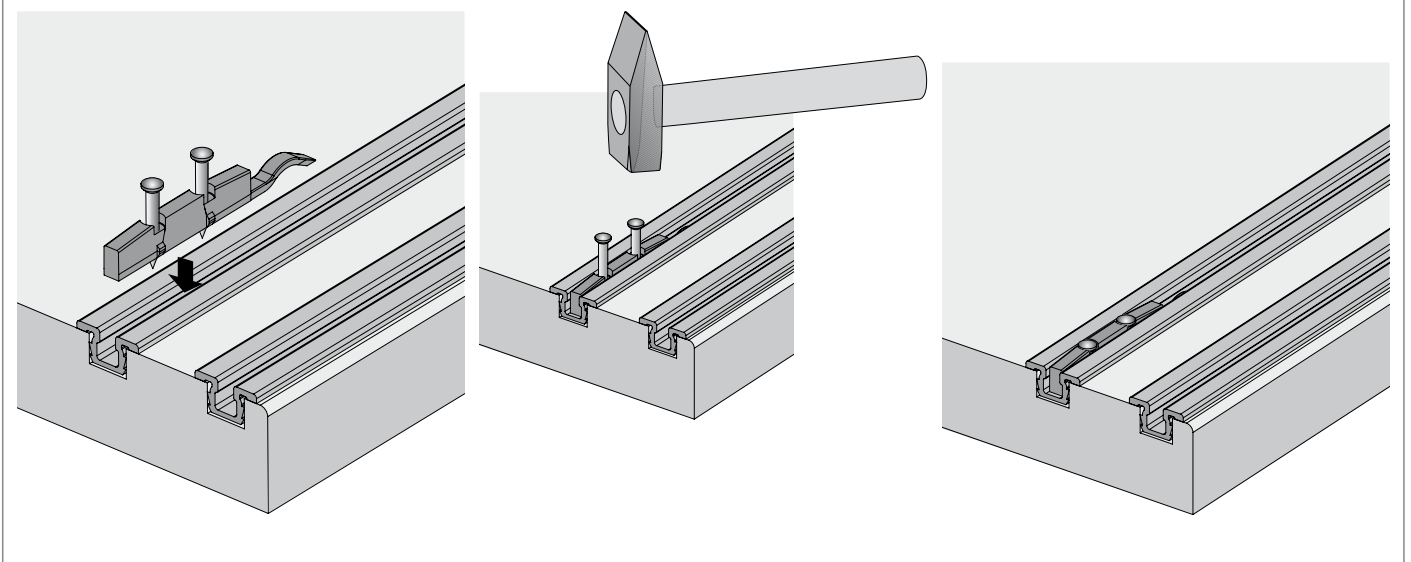
Sliding door system / bottom running

- ▶ SlideLine 55 Plus / overlay and inset door position
- ▶ Installation

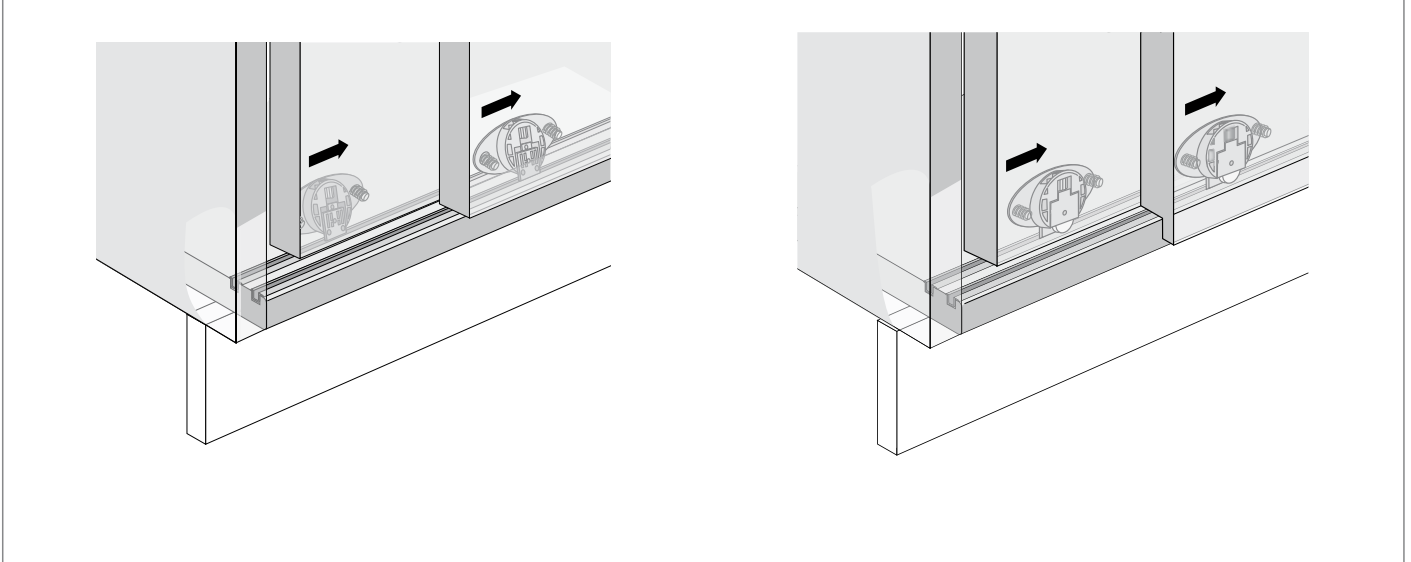
Fitting the Silent System activator



Installing end stops



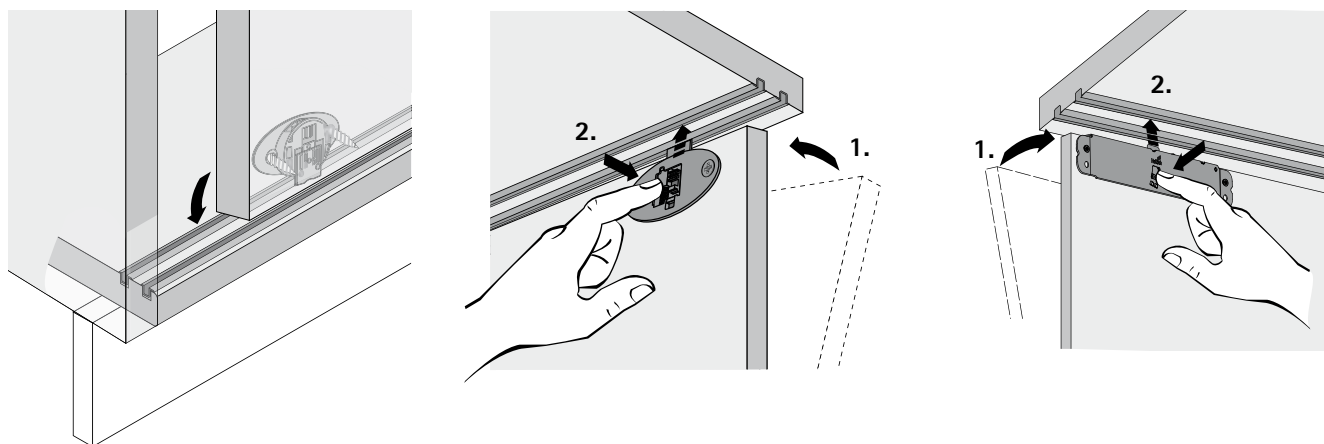
Inset / overlay doors



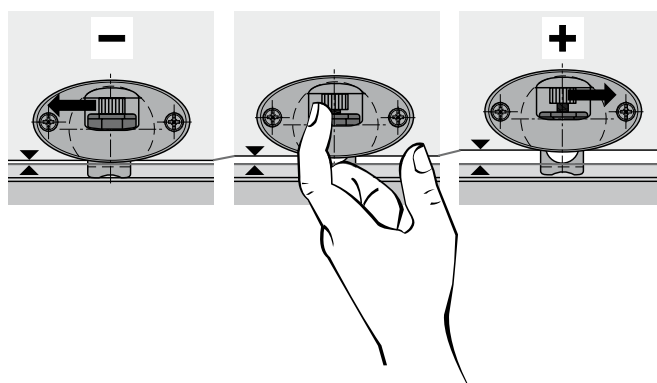
Sliding door system / bottom running

- ▶ SlideLine 55 Plus / overlay and inset door position
- ▶ Installation

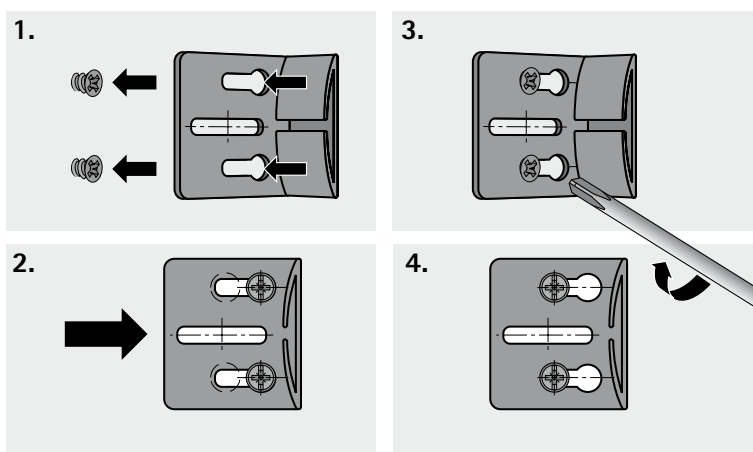
Installing door



Height adjustment



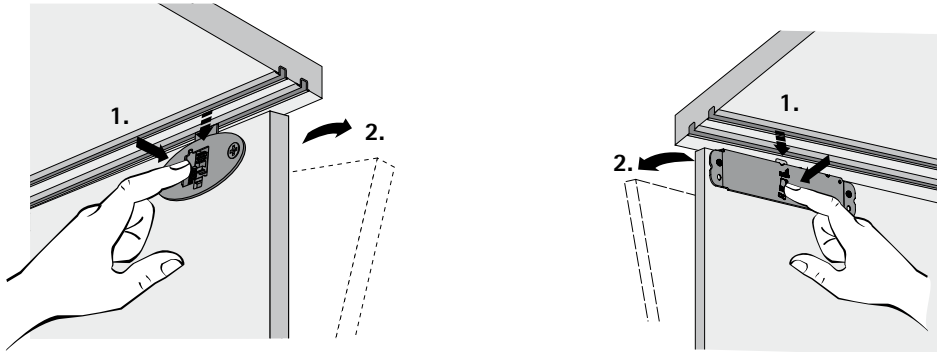
Installing spacer



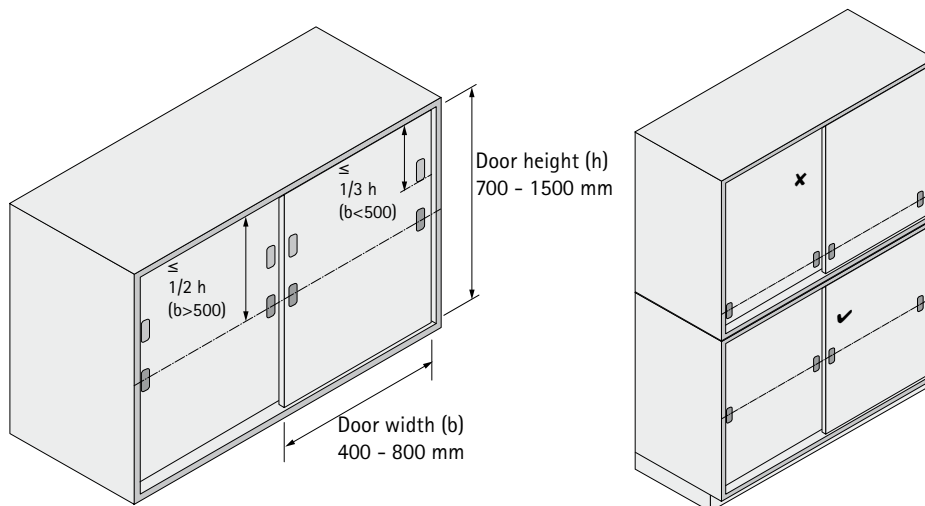
Sliding door system / bottom running




- ▶ SlideLine 55 Plus / overlay and inset door position
- ▶ Installation

Removing door



Positioning of handles



	KA 5740	VerticoSynchro	VerticoMono
			
Page	86 - 91	92 - 99	100 - 108
Description	Retractable door system for doors that slide into the sides of the carcass when opened	Vertically running system of synchronous-action sliding doors for two simultaneously opening doors	Vertically running sliding door system for one door
Door action	Horizontal	1	1
Door position	Inset	Vertical	Vertical
Door weight	14 kg max.	Inset / overlay	Inset
Door material	wood	15 kg max.	15 kg max.
Door width mm	300 - 700 mm	wood / wood, aluminium	wood / wood, aluminium
Door height mm	1800 mm max.	1500 mm max.	1500 mm max.
Silent System	-	300 - 600 mm	400 - 700 mm
Locking system	► Mechanical	► Electrical ► Mechanical	► Electrical ► Mechanical

Retractable door system

▶ KA 5740

▶ All the benefits at a glance



Stroke of genius. Mounted on the KA 5740 retractable door fitting, the doors can slide back into the sides of the cabinet body when they are opened. Perfect, for example, for TV and multimedia furniture or for a cocktail cabinet that opens up in a jiffy and disappears again just as quickly. The fitting's mechanism also vanishes from view: simply by using face frame hinges. Hettich retractable door fitting KA 5740 is suitable for door widths of 300 to 700 mm. All options with roll-out prevention.



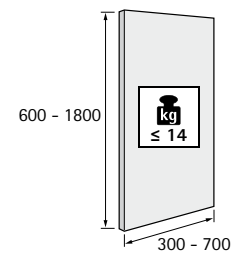
Hettich's KA 5740 fitting gives you the superior option for creating retractable doors. After opening, the doors simply disappear inside the carcass while running exceptionally smoothly.



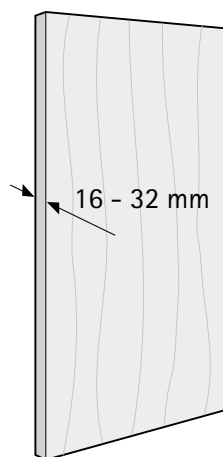
Technical details in brief

- ▶ For wooden doors
- ▶ Door weight up to 14 kg
- ▶ Door height up to 1800 mm
- ▶ Door width 300 - 700 mm
- ▶ Door thickness max. 22.5 or 32.0 mm
- ▶ With roll-out locating catch
- ▶ Tested to ANSI/BIFMA X5.5

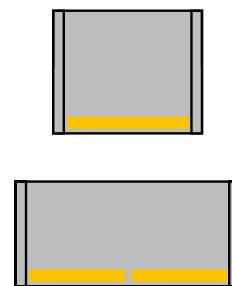
Door format and door weight



Door material



Number of door wings and door position



- ▶ KA 5740
- ▶ System components

KA 5740



- ▶ Pair of KA 5740 for retractable doors

Page reference:

- ▶ Concealed hinges must be ordered separately
- ▶ Face frame hinge must be ordered separately

Door width (max)	Order no.	PU
350	0 041 372	1 pair
400	0 041 373	1 pair
450	0 041 374	1 pair
500	0 041 375	1 pair
550	0 041 376	1 pair
600	0 041 377	1 pair
650	0 041 378	1 pair
700	0 041 379	1 pair

KA 5740 accessory set



- ▶ The KA 5740 accessory set also allows you to park flaps inside the top part of the cabinet carcass after opening them.
- ▶ The set of accessories assists the slide in and, when used on flaps, keeps them in the horizontal position.

Set comprises:

- ▶ 8 door applications / spacers, 10 mm ø drilling
- ▶ 4 support rollers for flaps ø 20 mm
- ▶ 4 rivets ø 6 x 10 mm
- ▶ 4 panhead screws ø 4 x 25 mm

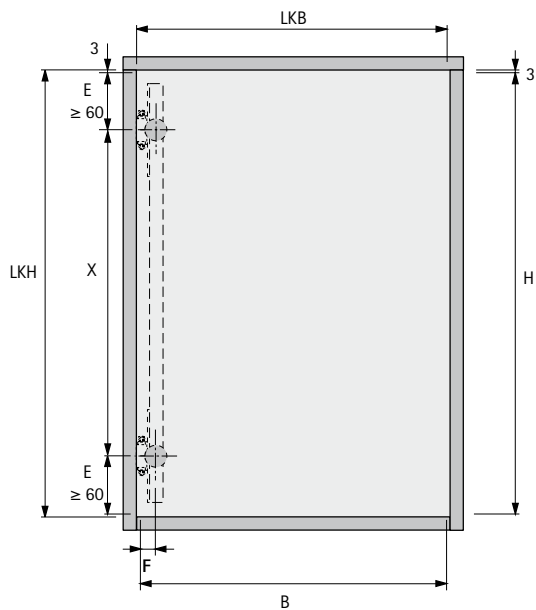
Order no.	PU
9 079 526	1 set

Retractable door system

► KA 5740

► Planning dimensions

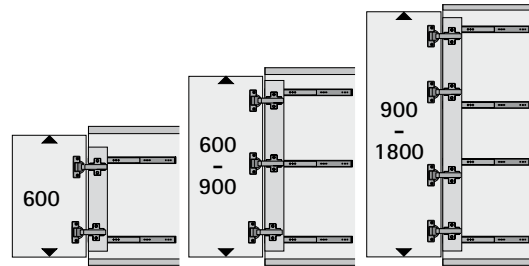
Installation dimensions for KA 5740



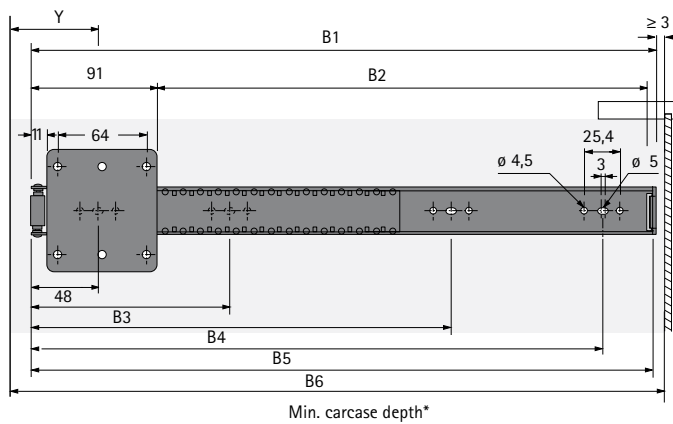
Door height = inside carcase height - 6 mm

Door width = inside carcase width - 6 mm

X = door height - 2 x E



Recommended quantity of KA 5740 retractable door fittings depends on door height.



Min. carcase depth*

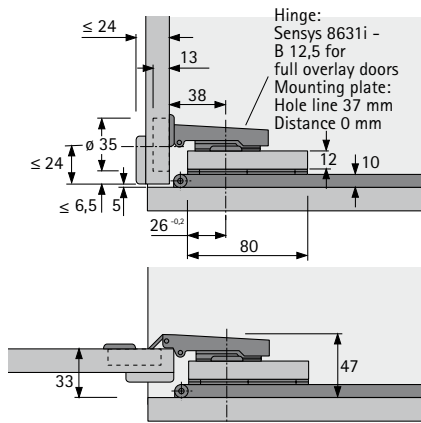
* Minimum cabinet depth = (nominal length + 2 mm) + (door thickness + 2 mm) + rear reveal (min. 3 mm)

Article	Dimension mm					
	B1	B2	B3	B4	B5	B6
KA 5740/350	352	256	304	-	-	350
KA 5740/400	402	306	368	-	-	400
KA 5740/450	452	356	144	304	400	450
KA 5740/500	502	406	176	336	464	500
KA 5740/550	552	456	208	368	528	550
KA 5740/600	602	506	240	400	560	600
KA 5740/650	652	556	272	432	624	650
KA 5740/700	702	606	304	464	656	700

Retractable door system

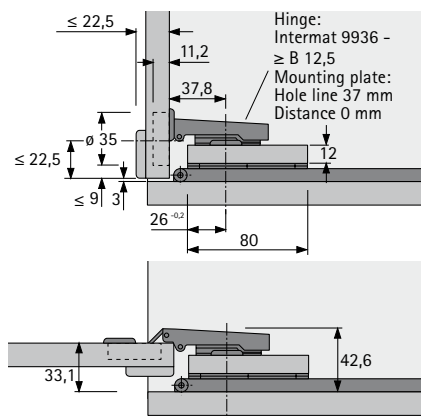
- ▶ KA 5740
- ▶ Planning dimensions

Use with Sensys and 12 mm connecting strip



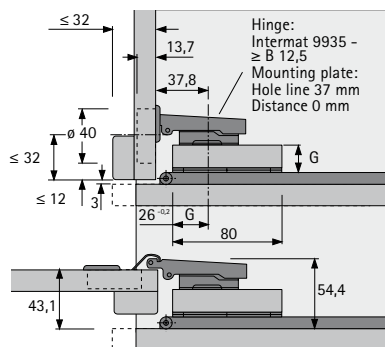
- ▶ For profile doors up to 28 mm
- ▶ 95° opening angle
- ▶ Base 12.5 mm
- ▶ Cup diameter 35 mm

Use with Intermat and 12 mm connecting strip



- ▶ For profile doors up to 22.5 mm
- ▶ 95° opening angle
- ▶ Base 12.5 mm
- ▶ Cup diameter 35 mm

Use with Intermat and 16 - 21 mm connecting strip



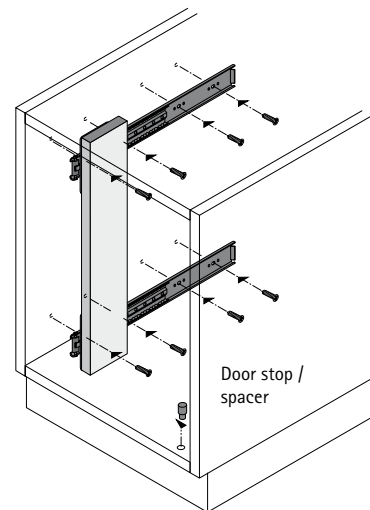
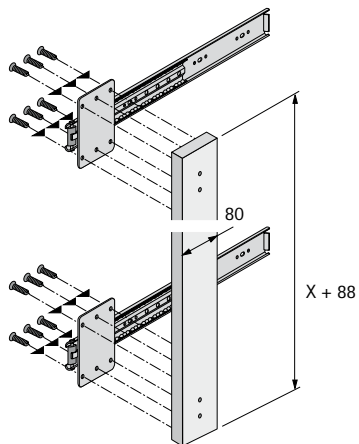
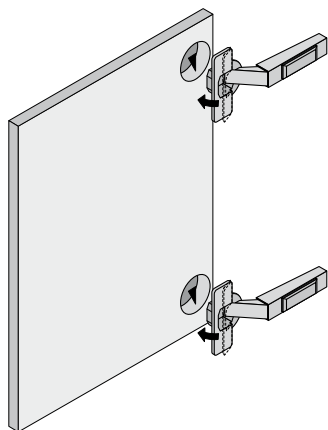
- ▶ For profile doors up to 32 mm
- ▶ 95° opening angle
- ▶ Base 18 mm
- ▶ Cup diameter 40 mm

Distance	G mm
5	16
3	18
1,5	19,5
0	21

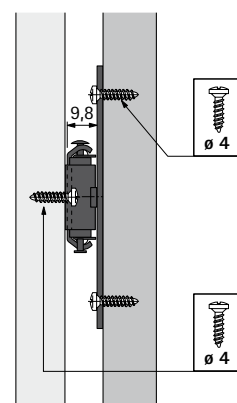
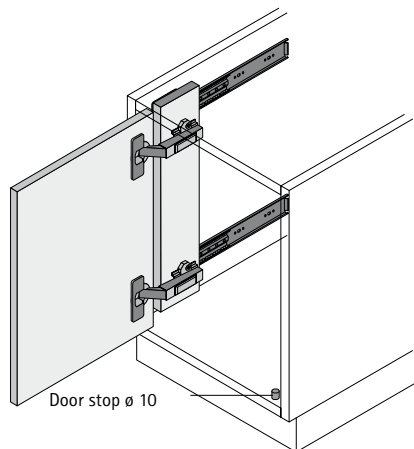
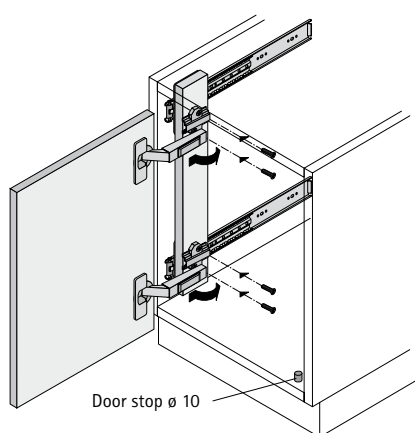
Retractable door system

- ▶ KA 5740
- ▶ Installation

Preparing / installing fitting



Installation door



Sliding door system / vertically running

- ▶ VerticoSynchro / overlay and inset door position
- ▶ All the benefits at a glance



Vertically synchronous. The VerticoSynchro 1-track sliding door system moves two doors at the same time – up and down. Weighing up to 15 kg, the doors run in an inset or overlay aluminium profile. The synchronous mechanism is premounted in the profile.

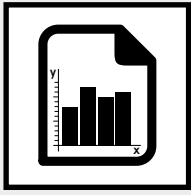


Vertically running front panels:
A different look for every occasion

One track, two directions:
VerticoSynchro moves two door in synchrony.

Sliding door system / vertically running

- ▶ VerticoSynchro / overlay and inset door position
- ▶ Summary



Performance summary

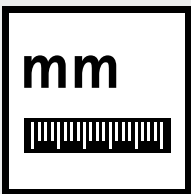
94 – 95

- ▶ Technical details in brief
- ▶ Door sizes
- ▶ Operating principle



System components

96



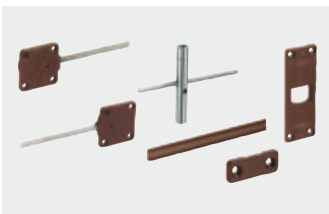
Planning dimensions

97 – 98



Installation

99



Accessories

144 – 145



Technical information

- ▶ Calculating door weights
- ▶ Design advice sliding door systems
- ▶ Quality criteria

160 – 161

162 – 164

165

Sliding door system / vertically running

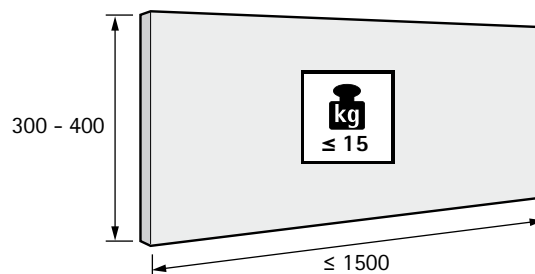


- ▶ VerticoSynchro / overlay and inset door position
- ▶ Performance summary

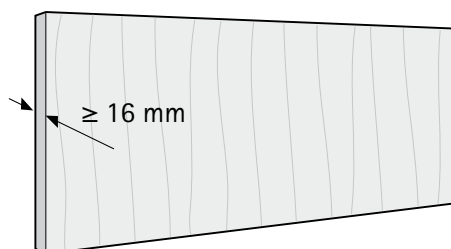
Technical details in brief

- ▶ 1-track, vertically running sliding door system
- ▶ Inset door position
- ▶ For wooden doors or wood / aluminium framed doors
- ▶ Door weight up to 15 kg
- ▶ Door height 300 - 400 mm
- ▶ Door width up to 1500 mm
- ▶ Length of runner profile 1200 to 2500 mm (can be individually shortened)
- ▶ Tested to EN 15706, Level 2

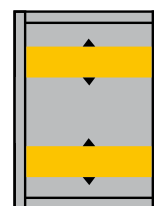
Door format and door weight



Door material



Number of door wings and door position

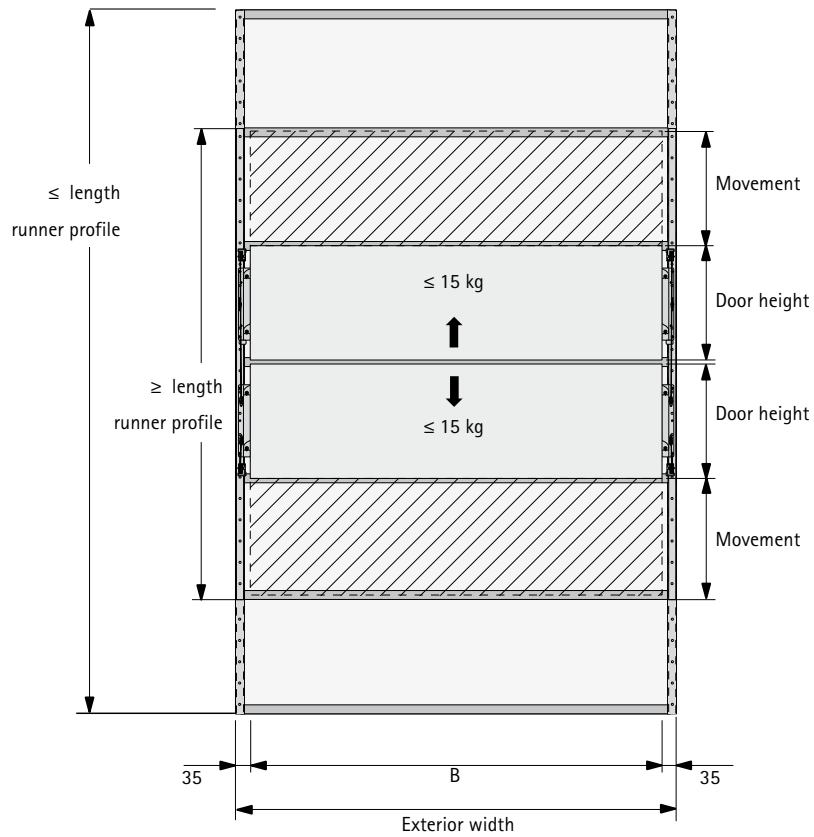


Sliding door system / vertically running



- ▶ VerticoSynchro / overlay and inset door position
- ▶ Performance summary

Operating principle



Sliding door system / vertically running

- ▶ VerticoSynchro / overlay and inset door position
- ▶ System components

VerticoSynchro set



- ▶ Set contains all the components required for 2 synchronously running wood or aluminium framed sliding doors
- ▶ Set includes runner profiles, profile length 1200 - 2500 mm, depending on door height and movement
- ▶ Note: The upper door acts as counterweight for the lower door. Both doors must be of identical weight.

Set comprises:

- ▶ 2 runner profiles with premounted running components
- ▶ 16 screw on plates
- ▶ Fixing material

Advice:

- ▶ Cover profiles for the runner profiles must be ordered separately

Door height mm	Movement mm	Max. width mm	Min. length mm	Max. length mm	Order no. / Door mounting option inset	PU
300 - 400	300	1500	1200	2500	0 020 392	1 set
350 - 400	350	1500	1400	2500	0 020 393	1 set

Cover profile for runner profile left/right



- ▶ Length 2500 mm
- ▶ Aluminium, silver anodized

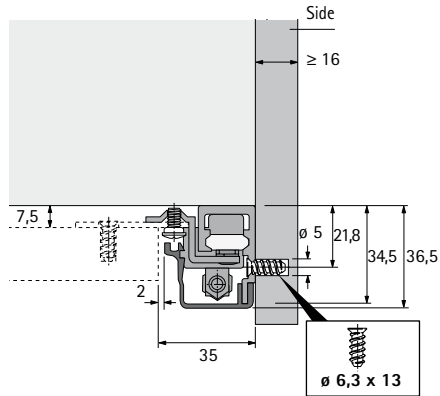
Order no.	PU
0 020 400	1 ea.

Sliding door system / vertically running

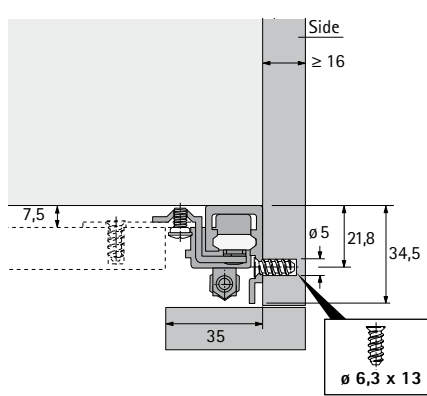
- ▶ VerticoSynchro / overlay and inset door position
- ▶ Planning dimensions

Installation dimensions for runner profiles

**Inset
with cover profile**

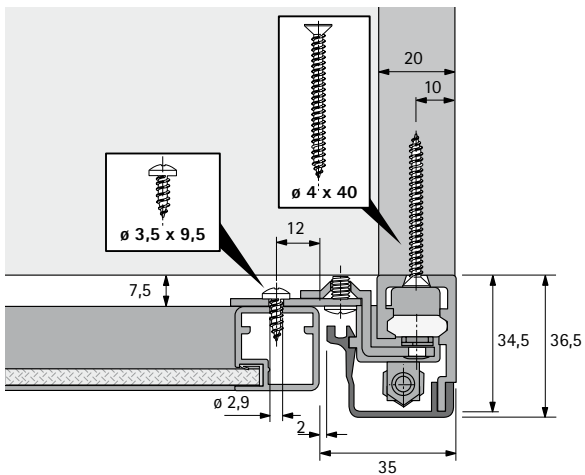


**Inset
with wood front panel**



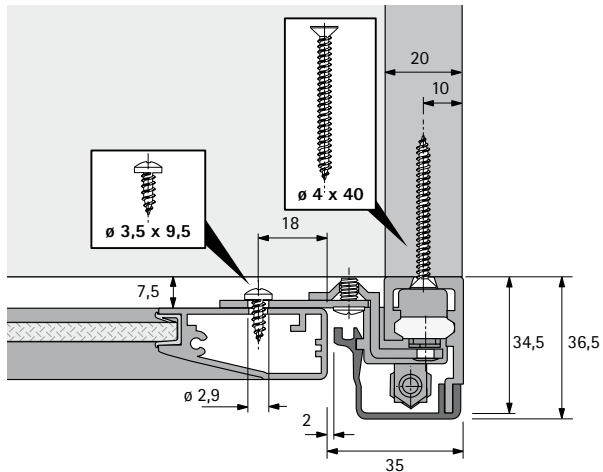
Installation dimensions for 19 mm aluminium framed door

**Aluminium framed door,
width 19 mm**

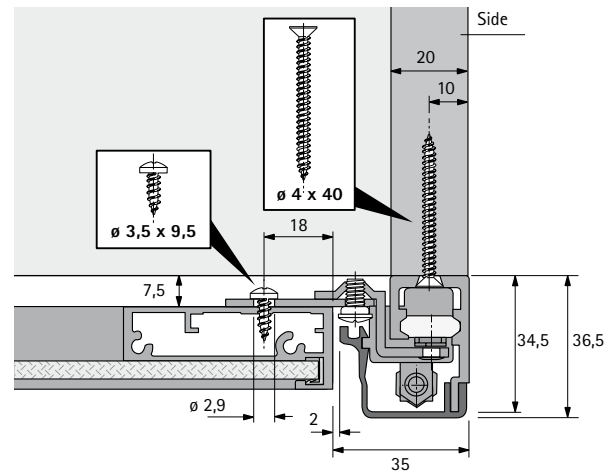


Installation dimensions for 45 mm aluminium framed door / 55 mm aluminium framed door

**Aluminium framed door,
width 45 mm**



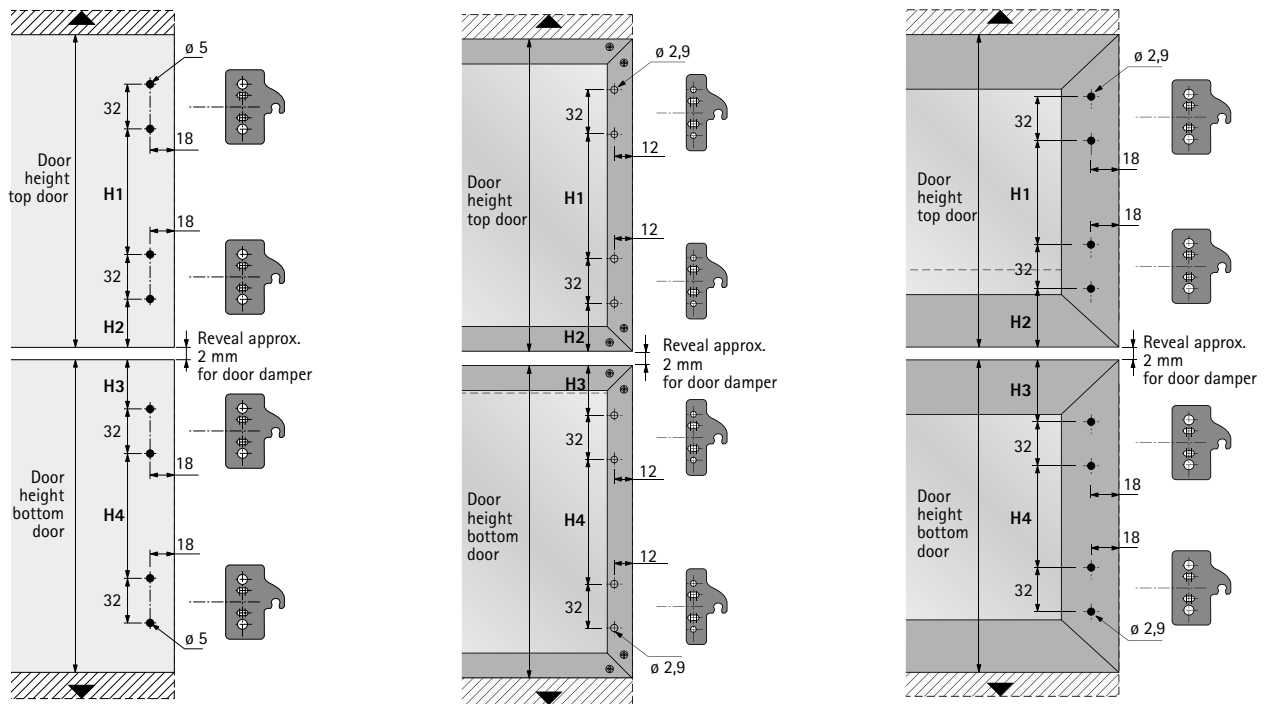
**Aluminium framed door,
width 55 mm**



Sliding door system / vertically running

- ▶ VerticoSynchro / overlay and inset door position
- ▶ Planning dimensions

Installation dimensions for screw on plates



Drilling patterns, screw on plates

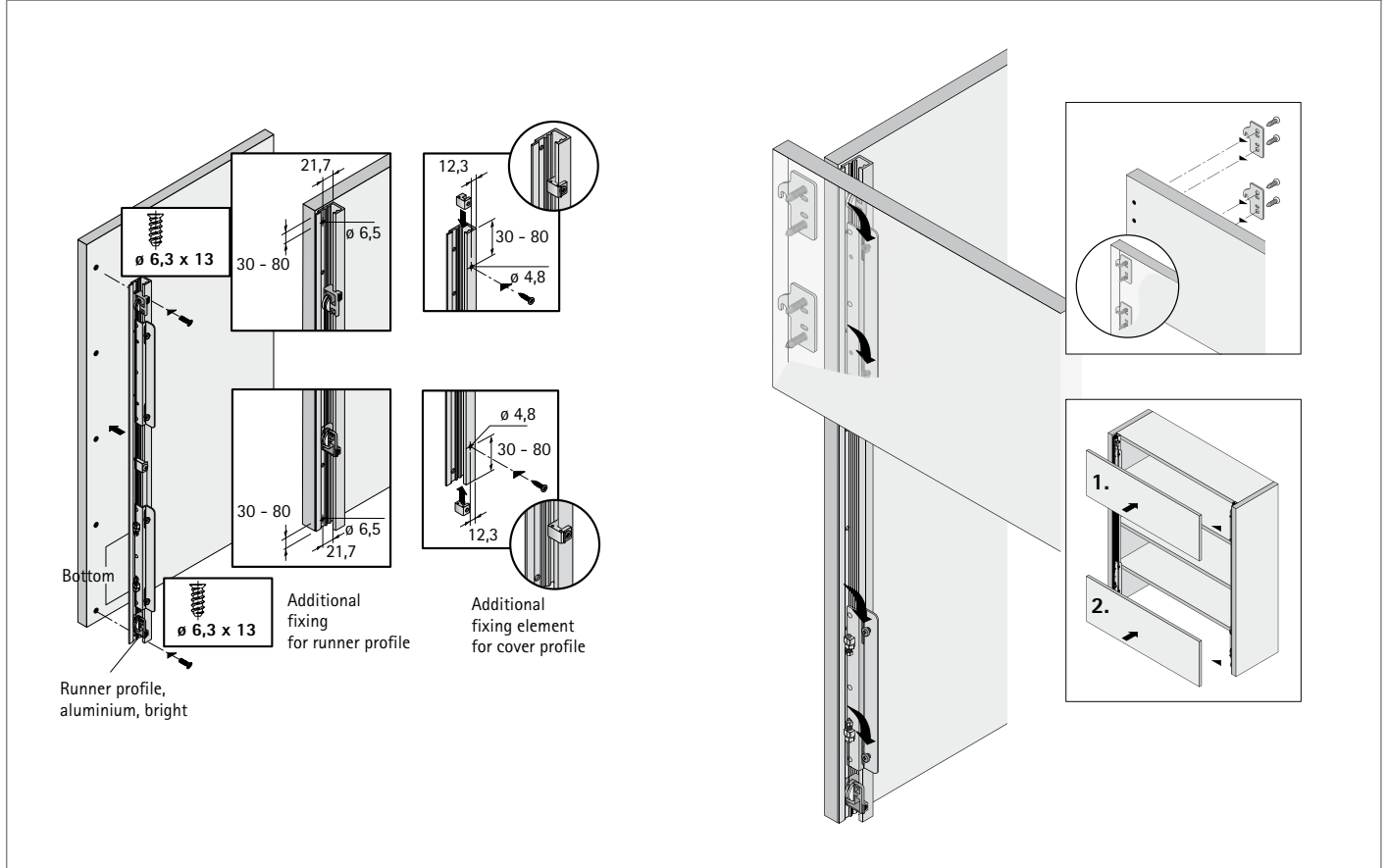
Door height mm	Movement mm	H1 mm	H2 mm	H3 mm	H4 mm
300 – 400	300	128	54	54	128
350 – 400	350	128	54	54	128

Sliding door system / vertically running

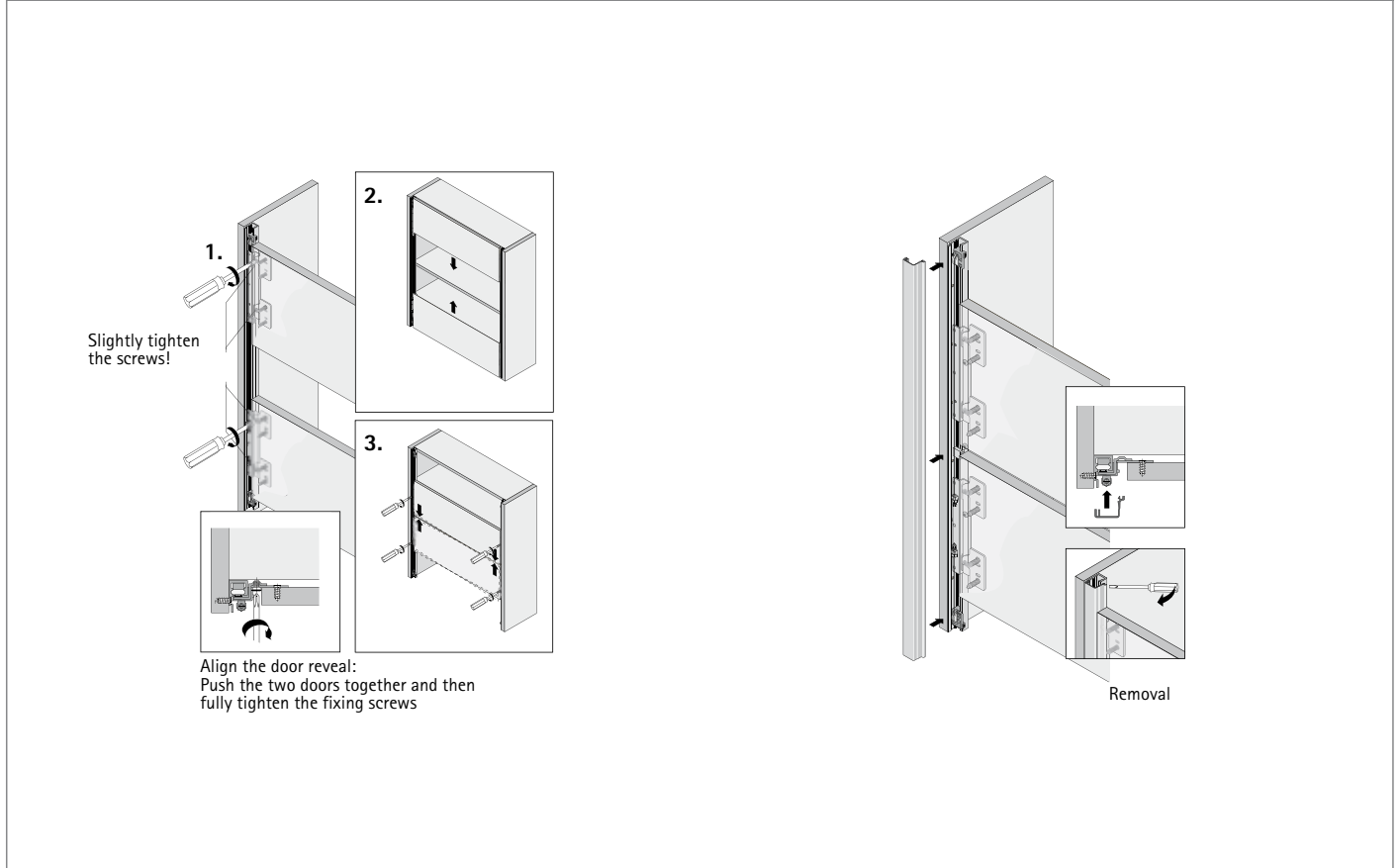
▶ VerticoSynchro / overlay and inset door position

▶ Installation

Installing runner profile / doors - inset installation



Aligning doors / mounting cover profile - inset installation



Sliding door system / vertically running

- ▶ VerticoMono / inset door position
- ▶ All the benefits at a glance

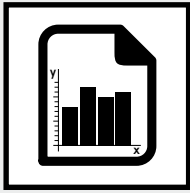


Cabinets with show effect. The VerticoMono vertical sliding door system adds creative and practical highlights to the kitchen and everywhere else in the home. Weighing up to 15 kg, the door runs in an inset aluminium profile. The working components come premounted and are concealed

by an aluminium or wooden profile. Easy and convenient handling makes VerticoMono ideal for entertainment furniture, for practical storage space in the kitchen and office ... in fact wherever you want convenience to make itself felt.

Sliding door system / vertically running

- ▶ VerticoMono / inset door position
- ▶ Summary



Performance summary

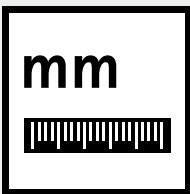
102 – 103

- ▶ Technical details in brief
- ▶ Door sizes
- ▶ Operating principle



System components

104



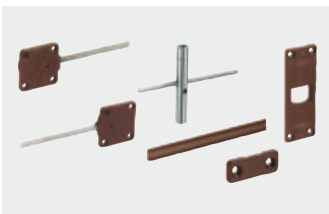
Planning dimensions

105



Installation

106 – 108



Accessories

144 – 145

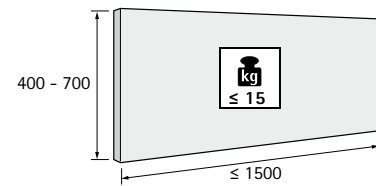


- ▶ **VerticoMono / inset door position**
- ▶ **Performance summary**

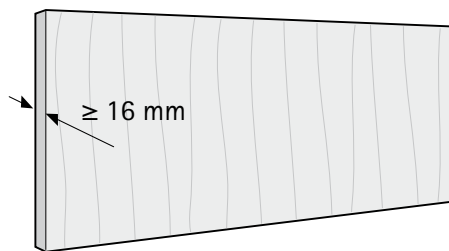
Technical details in brief

- ▶ 1-track, vertically running sliding door system
- ▶ Inset door position
- ▶ For wooden doors or wood / aluminium framed doors
- ▶ Door weight up to 15 kg
- ▶ Door height 400 - 700 mm
- ▶ Door width up to 1500 mm
- ▶ Length of runner profile (can be shortened as required) 2500 mm
- ▶ Counterweight in individually selectable materials runs behind the carcass rear panel
- ▶ Tested to EN 15706, Level 3

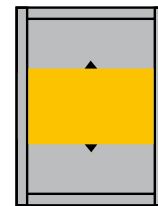
Door format and door weight



Door material



Number of door wings and door position

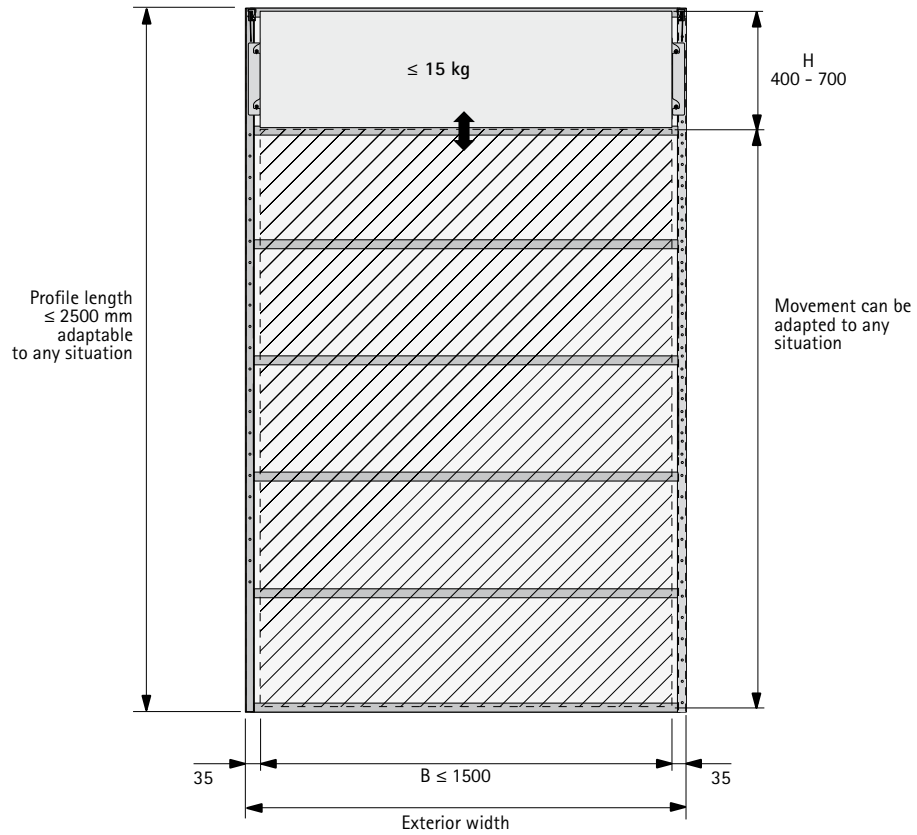


Sliding door system / vertically running



- ▶ VerticoMono / inset door position
- ▶ Performance summary

Operating principle



- ▶ VerticoMono / inset door position
- ▶ System components

Set, VerticoMono



- ▶ Set contains all the components required for 1 vertically running wood or aluminium framed sliding door
- ▶ Set includes runner profiles, length 2500 mm, can be individually shortened as required for door height and movement
- ▶ Note: The counterweight and door weight (including handle) must be identical

Set comprises:

- ▶ 2 runner profiles with premounted running components
- ▶ 4 guide components
- ▶ 2 guide components for counterweight
- ▶ 8 screw on plates
- ▶ 2 diverter rollers
- ▶ Fixing material

Advice:

- ▶ Please order cover profiles separately

Order no.	PU
0 045 315	1 set

Cover profile for runner profile left/right



- ▶ Length 2500 mm
- ▶ Aluminium, silver anodized

Order no.	PU
0 020 400	1 ea.

Cover profile for covering the cable pull at the side



- ▶ Length 600 mm
- ▶ Aluminium, silver anodized

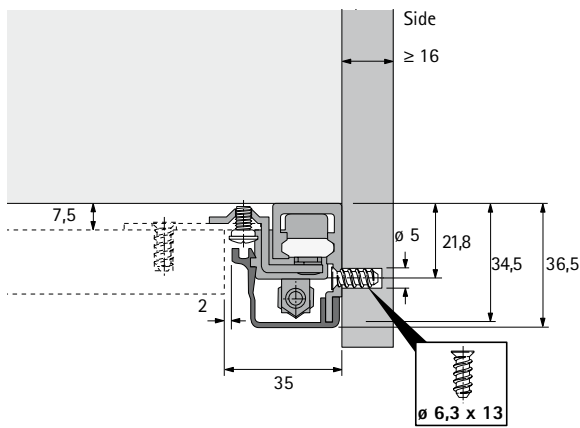
Order no.	PU
0 045 316	1 ea.

Sliding door system / vertically running

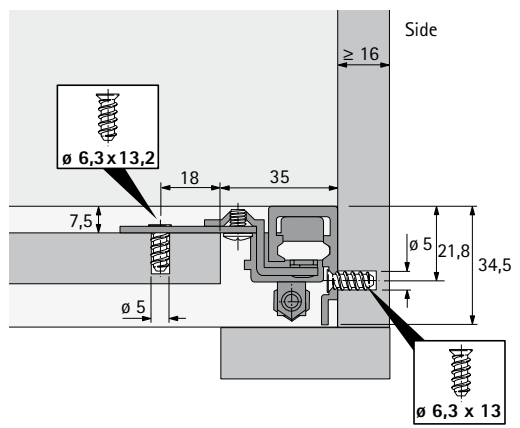
- ▶ VerticoMono / inset door position
- ▶ Planning dimensions

Installation dimensions for runner profiles with cover profile / with wooden panel

with cover profile

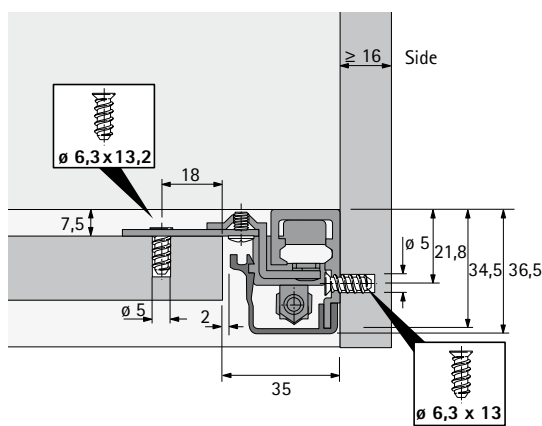


with wood front panel

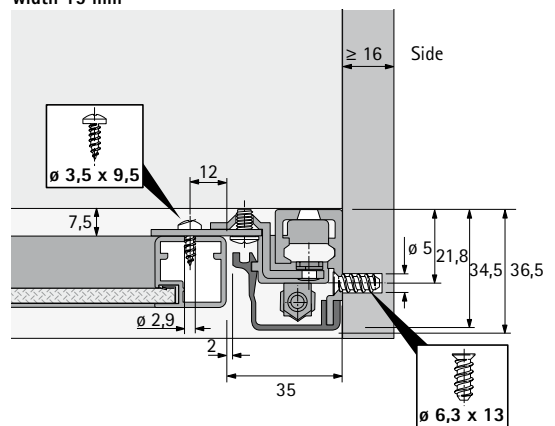


Installation dimensions for wooden / 19 mm aluminium framed door

Wooden door

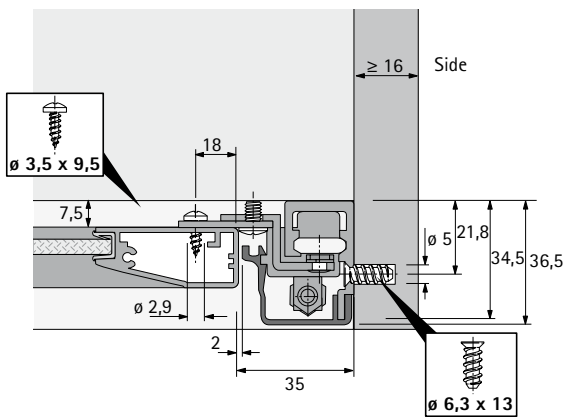


Aluminium framed door, width 19 mm

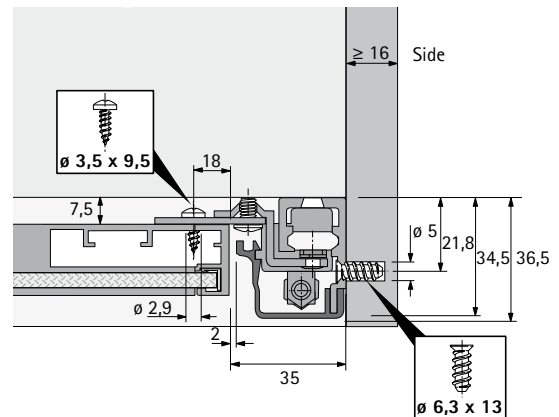


Installation dimensions for 45 mm aluminium framed door / 55 mm aluminium framed door

Aluminium framed door, width 45 mm



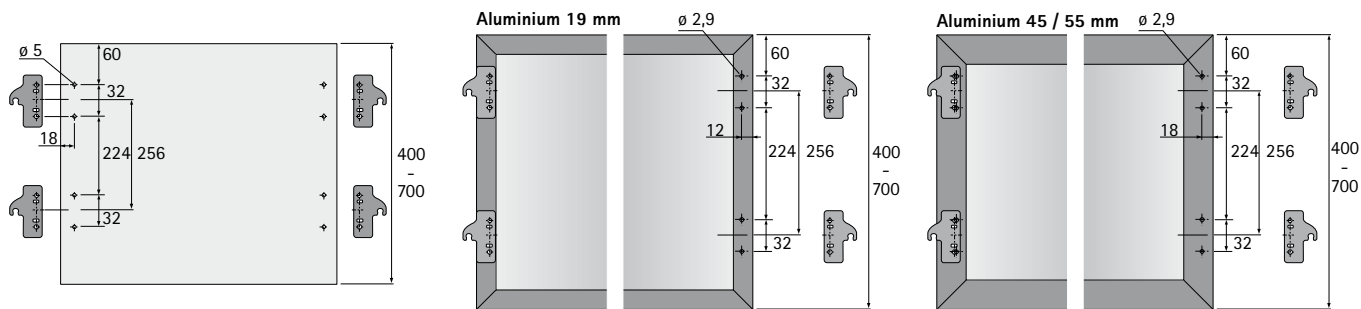
Aluminium framed door, width 55 mm



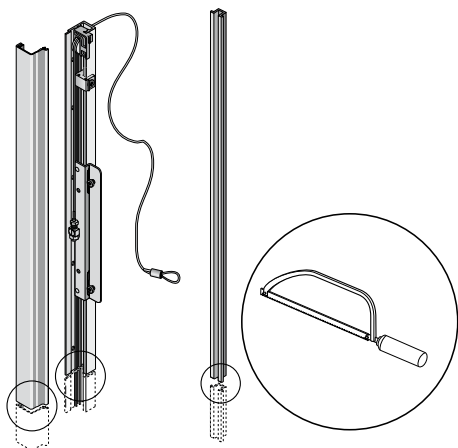
Sliding door system / vertically running

- ▶ VerticoMono / inset door position
- ▶ Installation

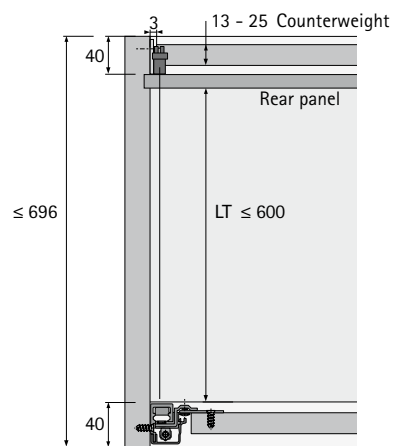
Installation screw on plate



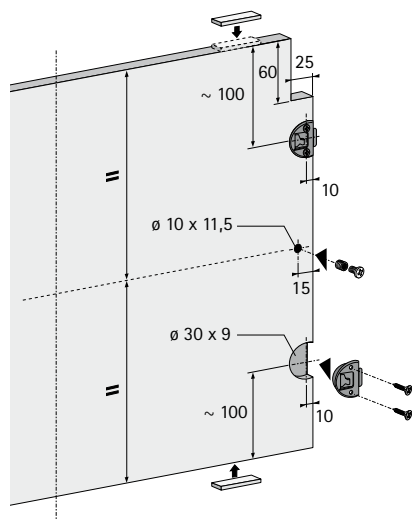
Cutting runner profile to length



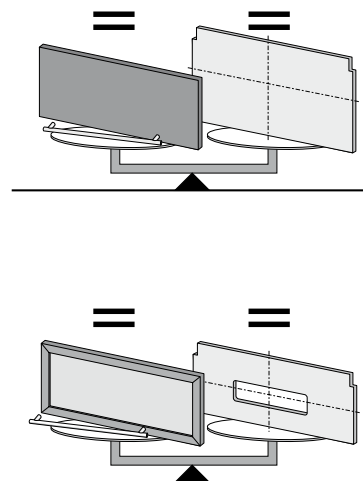
Sectional view of carcass



Preparing the counterweight



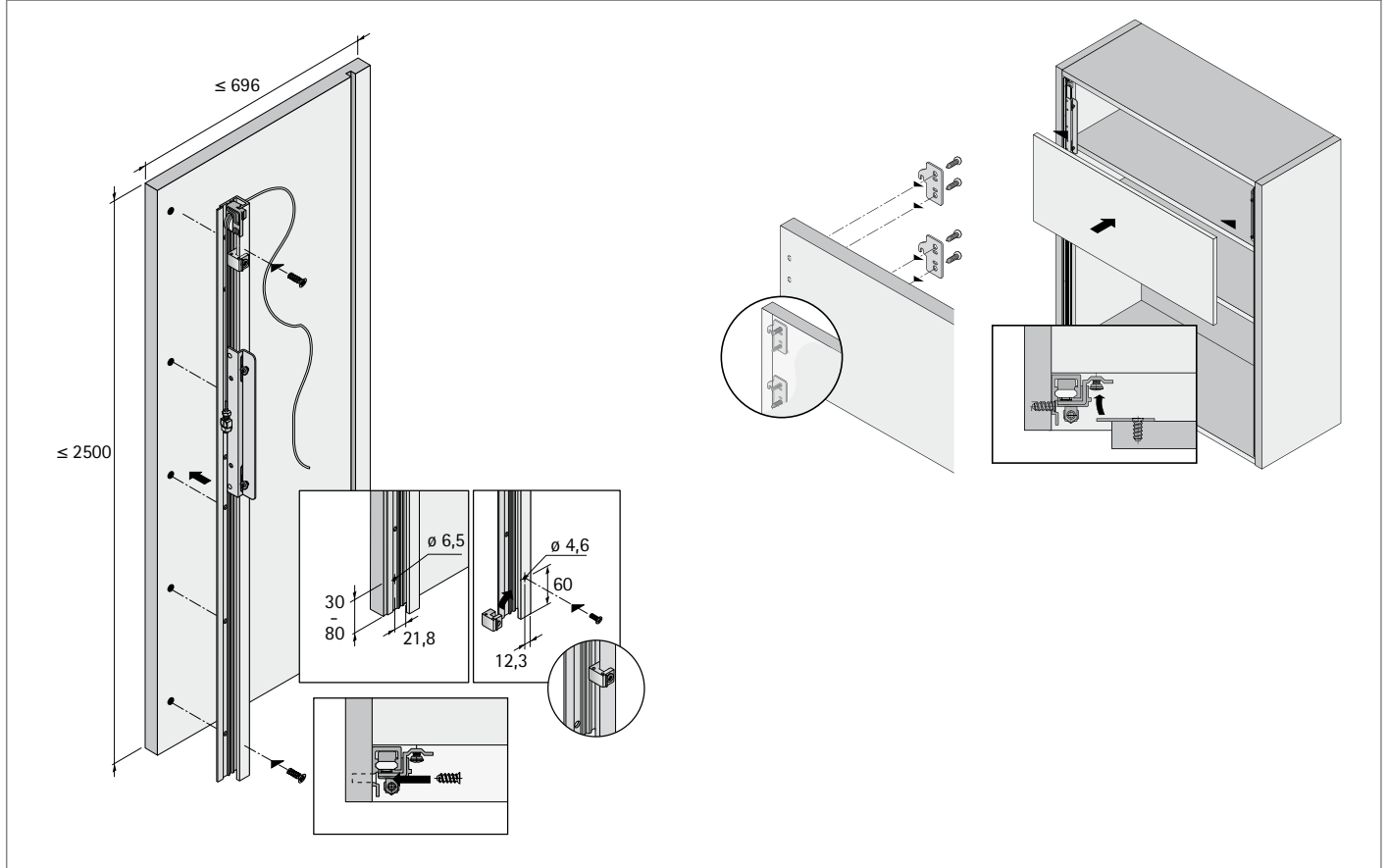
Balanced door and counterweight



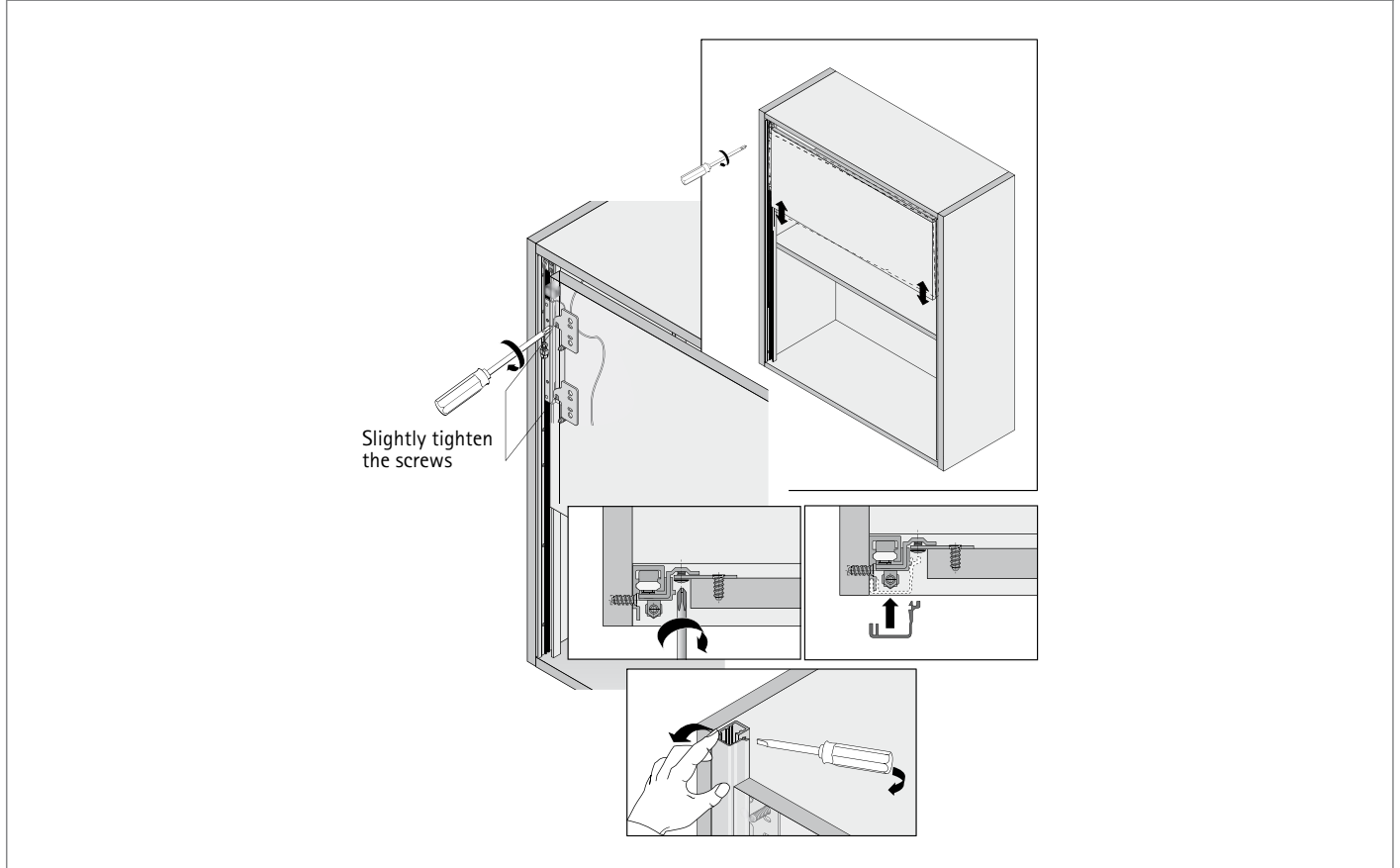
Sliding door system / vertically running

- ▶ VerticoMono / inset door position
- ▶ Installation

Installation runner profiles / preparing fronts



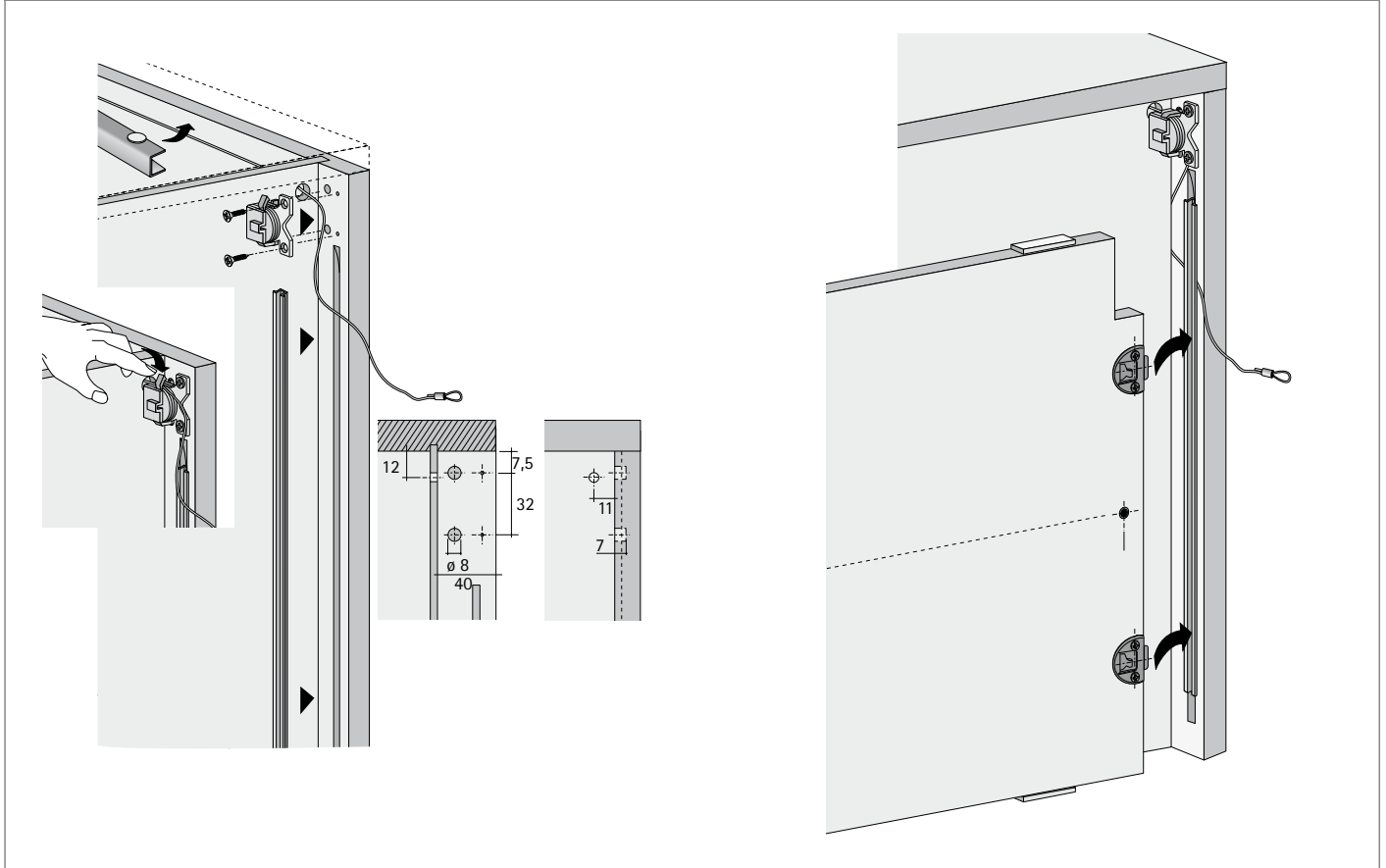
Installing and aligning fronts



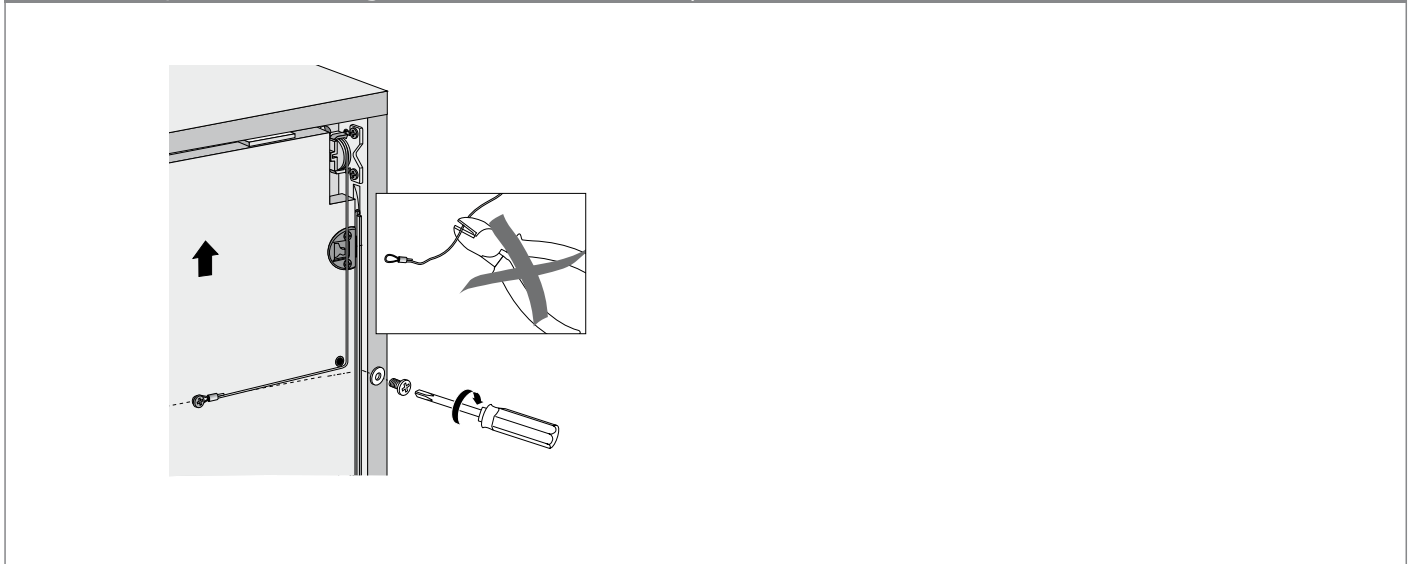
Sliding door system / vertically running

- ▶ VerticoMono / inset door position
- ▶ Installation

Installation counterweight / cable mounting on carcass





Alternatively cable mounting (with shortened runner profile)



Folding door system

► Range summary / technical comparison

	WingLine L	WingLine 230
		
Page	112 – 134	136 – 143
Description	Side mounted folding door system with guide profile at top / bottom	Side mounted folding door system with guide profile at top for large-size doors
Number of door wings	2	2
Door wing weight	25 kg max.	20 – 25 kg
Side mounting	Yes	Yes
Door material	Wood	Wood
Door wing width mm	600 mm max.	600 mm max.
Door wing height mm	2400 mm max.	3000 mm max.
Push / Pull to move, Pull to move Silent	Yes	No

Folding door system

- ▶ WingLine L / attached to the side
- ▶ All the benefits at a glance



Experiencing folding doors in a new way. WingLine L lets you produce folding sliding doors in a completely new dimension of convenience. The revolutionary Push / Pull to move opening mechanism provides access to everything inside the cabinet with just one movement of the hand. An impressive panorama effect! Further highlights: optimised

running performance, soft opening and closing, tool-less installation as well as minimal door protrusion for efficiently organising the space inside. WingLine L competently and securely moves door wings weighing up to 25 kg and measuring up to 2,400 mm in height: a talented all rounder for the bedroom, kitchen and office.



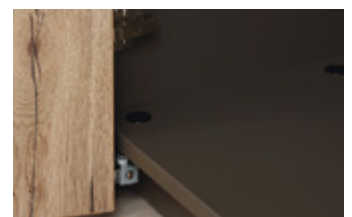
Panorama convenience: access to 6m² of cabinet content, leaving everything in perfect view.



For easy and gentle opening: Push / Pull to move module first class practical convenience.



Optimum use of space: minimal door protrusion, with door reliably held in place while open.



Purist and convenient: no distracting profile on the bottom panel.



Handleless perfection: The door set opens all the way with just one push - from the Push to move module.



Impresses everywhere: WingLine L is suitable for all commonly used door wing formats.



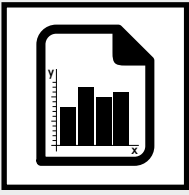
Impressive running performance: as smooth as never before and virtually silent.



Easy and cost effective: intelligent installation accessories for efficient one person installation.

Folding door system

- ▶ WingLine L / attached to the side
- ▶ Summary



Performance summary

114 – 115

- ▶ Technical details in brief
- ▶ Door sizes
- ▶ Operating principle



System summary

116 – 117

Planning ideas

118 – 120

- ▶ Choose the right fitting
- ▶ Examples applications with fitting lists



System components

121 – 126

Planning dimensions

127 – 130

Installation

131 – 135



Technical information

- ▶ Calculating door weights
- ▶ Design advice sliding door systems
- ▶ Quality criteria

160 – 161

162 – 164

165

Folding door system

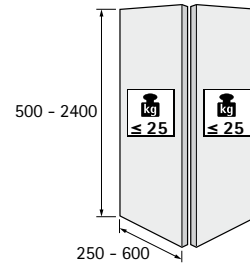


- ▶ WingLine L / attached to the side
- ▶ Performance summary

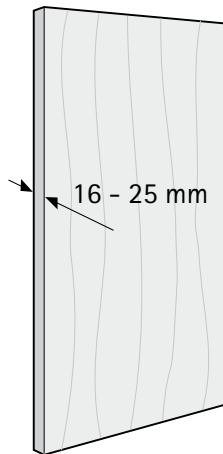
Technical details in brief

- ▶ For one folding door with 2 wings
- ▶ Overlay door position
- ▶ For wooden doors
- ▶ Push / Pull to move
- ▶ Suitable for use with Hettich hinges
- ▶ Door wing weight up to 25 kg
- ▶ Door height up to 2400 mm
- ▶ Door wing width up to 600 mm
- ▶ Tested with 40000 cycles

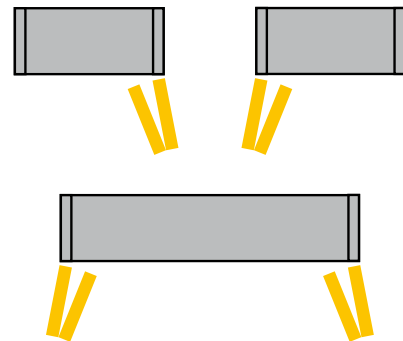
Door format and door weight



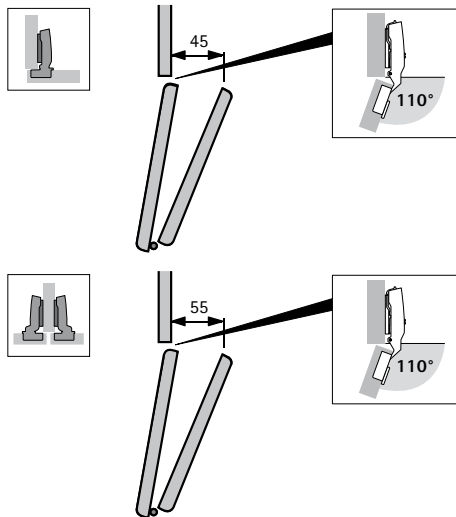
Door material



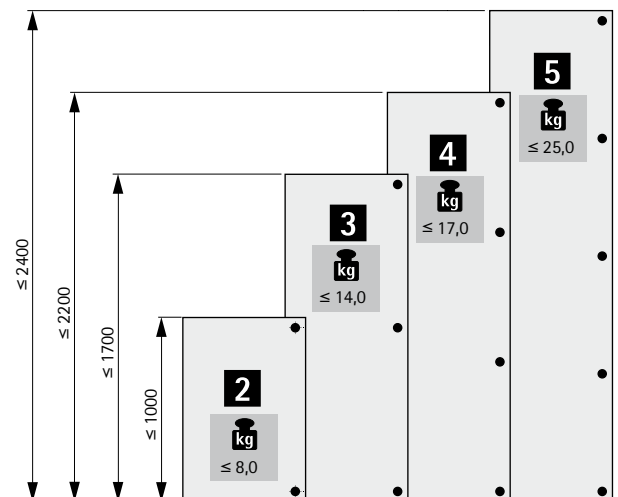
Number of door wings and door position



Door protrusion



Recommended number of carcass and folding door hinges

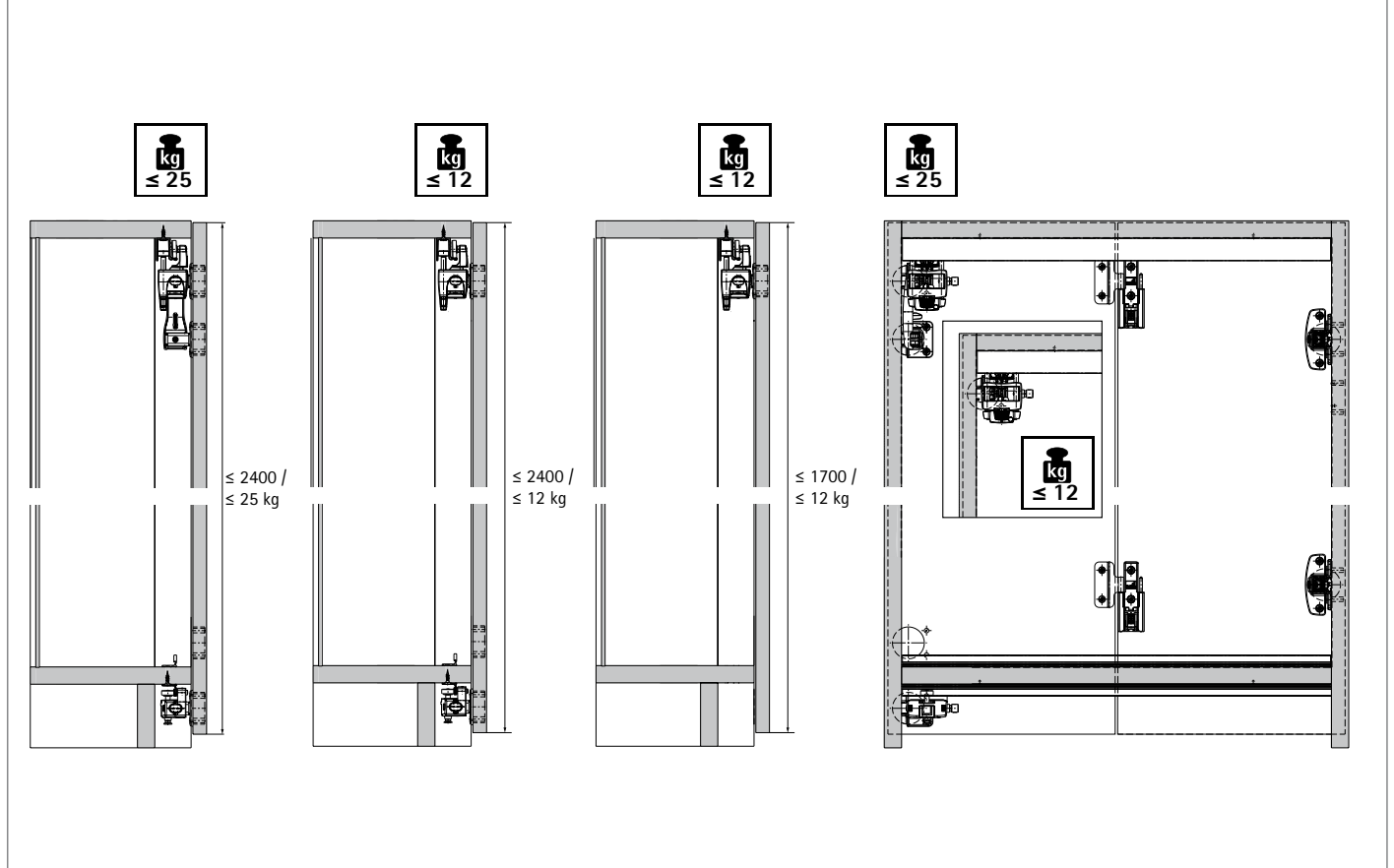


Folding door system

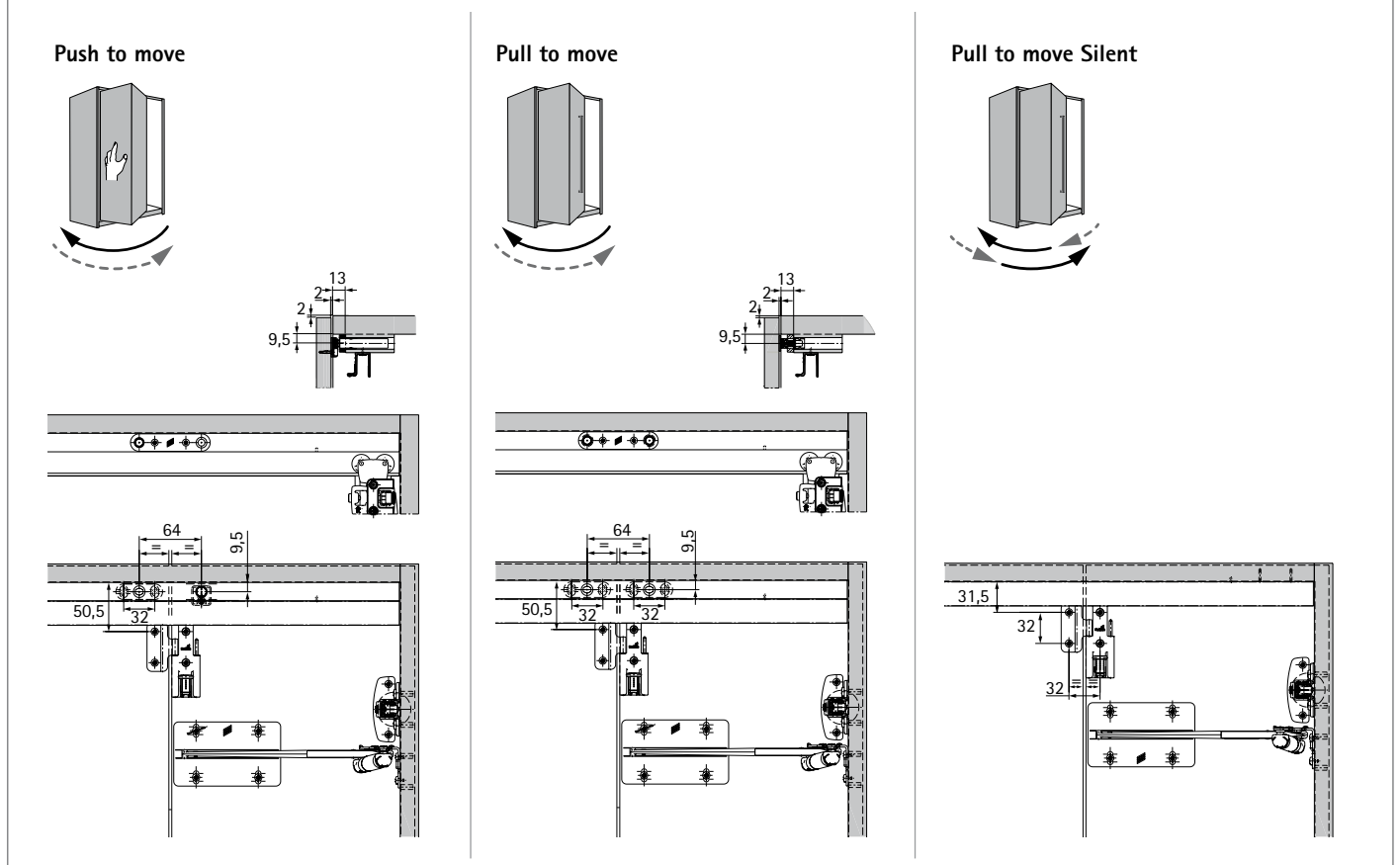
- ▶ WingLine L / attached to the side
- ▶ Performance summary



Operating principle / WingLine L



Operating principle / WingLine L with Push to move / Pull to move / Pull to move Silent



Folding door system

- ▶ WingLine L / attached to the side
- ▶ System summary

The new multifolder: WingLine L

Runner and guide profiles

- Runner profile
- Guide profile for installing on the plinth or under the plinth

Runners

- Tool-less fast installation
- Running component for door panel weight up to 25 kg
- Running component for door panel weight up to 12 kg

Guide component

- Tool-less fast installation
- Installation on the plinth
- Installation under the plinth

Intelligent installation accessories

- Profile installation
- Positioning centre hinges
- Positioning Push/Pull to move

Push to move/Pull to move

- Mechanical, soft opening of the door panel set
- 3 force options depending on door panel width and weight

Push to move

- Reliably keeps the door closed

Carcase hinges

- Sensys 110° or 95°
- Some options require the use of unsprung Sensys hinges

Centre hinge

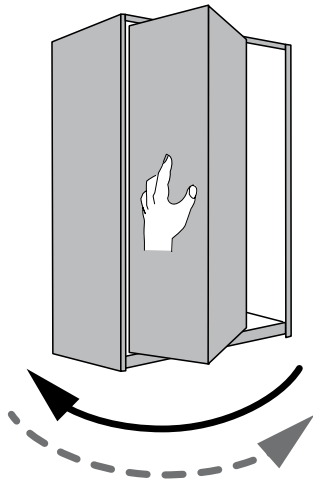
- 2 part
- Tool-less fast installation

Folding door system

- ▶ WingLine L / attached to the side
- ▶ System summary

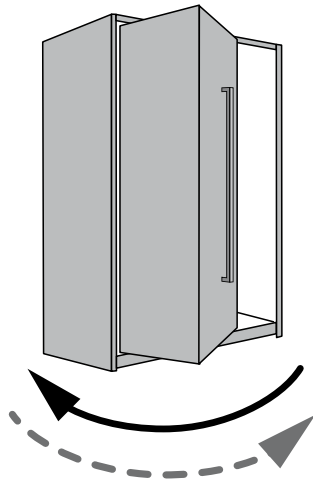
WingLine L with Push to move and Pull to move

Pull to move and Push to move are two innovative and unique opening mechanisms for folding door systems. A slight pull on the handle or gentle push on the (handleless) front automatically opens the door all the way, taking it to the open position in a cushioned movement. A fascinating opening effect that works all mechanically! This means it requires neither cables nor any connection to the power supply.



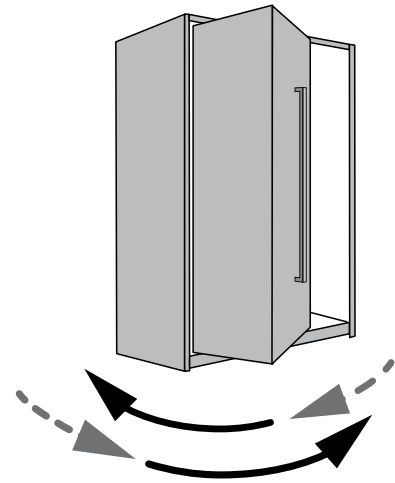
Push to move

The door opens automatically in response to a light press on the front and is returned to the closed position by hand.



Pull to move

The door opens automatically from a 1° opening angle in response to a minimal pull on the handle and is returned to the closed position by hand.



Pull to move Silent

The door opens automatically from a 35° opening angle in response to a slight pull on the handle and is returned to the closed position in a cushioned movement.

Folding door system

▶ WingLine L - the fast and easy way to the right article

Selecting the right WingLine L components depends on how you've designed your cabinet. Use the below questions and answers guide to help you make this selection, then order the relevant item numbers on the following pages.

The following planning information is required for selecting the correct WingLine L articles in just a few easy steps:

- ▶ Number of folding doors
- ▶ Door wing width (mm)
- ▶ Door wing weight (kg)



Only a few clicks away to the folding door cabinet or wardrobe.
<https://www.hettich.com/short/59ada1>

Opening assistance required? Classic front with handle or purist look without handles?	Do you need sprung hinges and running/guiding components. Or unsprung?																								
<table border="1" style="width: 100%;"> <thead> <tr> <th style="width: 50%;">Door with handle</th> <th style="width: 50%;">Door without handle</th> </tr> </thead> <tbody> <tr> <td>· Pull to move</td> <td>· Push to move</td> </tr> <tr> <td>· Pull to move Silent</td> <td></td> </tr> <tr> <td>· No opening assistance</td> <td></td> </tr> </tbody> </table>	Door with handle	Door without handle	· Pull to move	· Push to move	· Pull to move Silent		· No opening assistance		<table border="1" style="width: 100%;"> <thead> <tr> <th style="width: 33%;">Opening mechanism</th> <th style="width: 33%;">110 deg cabinet hinge</th> <th style="width: 33%;">WingLine Runner</th> </tr> </thead> <tbody> <tr> <td>Push to move</td> <td>Unsprung</td> <td>Unsprung 12 or 25 kg</td> </tr> <tr> <td>Pull to move</td> <td>Unsprung</td> <td>Unsprung 12 or 25 kg</td> </tr> <tr> <td>Pull to move Silent</td> <td>Soft Close</td> <td>With self closing 12 or 25 kg</td> </tr> </tbody> </table>	Opening mechanism	110 deg cabinet hinge	WingLine Runner	Push to move	Unsprung	Unsprung 12 or 25 kg	Pull to move	Unsprung	Unsprung 12 or 25 kg	Pull to move Silent	Soft Close	With self closing 12 or 25 kg	<table border="1" style="width: 100%;"> <tbody> <tr> <td>Regular WingLine Cabinet</td> <td>Soft Close</td> <td>With self closing 12 or 25 kg</td> </tr> </tbody> </table>	Regular WingLine Cabinet	Soft Close	With self closing 12 or 25 kg
Door with handle	Door without handle																								
· Pull to move	· Push to move																								
· Pull to move Silent																									
· No opening assistance																									
Opening mechanism	110 deg cabinet hinge	WingLine Runner																							
Push to move	Unsprung	Unsprung 12 or 25 kg																							
Pull to move	Unsprung	Unsprung 12 or 25 kg																							
Pull to move Silent	Soft Close	With self closing 12 or 25 kg																							
Regular WingLine Cabinet	Soft Close	With self closing 12 or 25 kg																							
What opening force is needed for Push / Pull / Pull to move Silent?	Is a bottom door guide required?																								
	<table border="1" style="width: 100%;"> <tbody> <tr> <td style="width: 50%;">Door wing weight up to 12kg and height up to 1700 mm</td> <td style="width: 50%;">Bottom door guide: optional</td> </tr> <tr> <td>From a door wing weight of 12kg and height above 1700 mm</td> <td>Bottom door guide: recommended</td> </tr> </tbody> </table>	Door wing weight up to 12kg and height up to 1700 mm	Bottom door guide: optional	From a door wing weight of 12kg and height above 1700 mm	Bottom door guide: recommended	<table border="1" style="width: 100%;"> <tbody> <tr> <td style="width: 50%;">From a door wing weight of 12kg and height above 1700 mm</td> <td style="width: 50%;">Bottom door guide: recommended</td> </tr> </tbody> </table>	From a door wing weight of 12kg and height above 1700 mm	Bottom door guide: recommended																	
Door wing weight up to 12kg and height up to 1700 mm	Bottom door guide: optional																								
From a door wing weight of 12kg and height above 1700 mm	Bottom door guide: recommended																								
From a door wing weight of 12kg and height above 1700 mm	Bottom door guide: recommended																								
Where will the bottom door guide be positioned?																									
Cabinet with toe-kick		Guide profile underneath bottom panel																							
Cabinet without toe-kick		Guide profile on top of bottom panel Guide profile underneath fixed shelf																							

Folding door system

▶ WingLine L – the fast and easy way to the right article

Example: wardrobe



Planning details:

<https://www.hettich.com/short/81ebb1>

- ▶ Number of folding doors: 2
- ▶ Door wing width: 596 mm
- ▶ Door wing weight: 16.5 kg
- ▶ Front design: without handle
- ▶ Opening assistance: Push to move
- ▶ Self closing feature: Unsprung
- ▶ Opening force: high
- ▶ Bottom door guide: recommended
- ▶ Wardrobe with plinth: guide below the bottom panel



Profiles:

- ▶ Runner profile, 2400mm: **9 244 904 (white)** or **9 237 917 (silver)**
- ▶ Guide profile, 2400mm: **9 237 990 (silver)** or **9 244 905 (white)**

Fittings:

- ▶ Running and guide components weight of 25 kg, unsprung
- left: **9 237 495** & **9 237 434** - right: **9 237 494** & **9 237 433**
- ▶ Centre hinge 2-part: **9 229 920** & **9 236 605 x4**

Opening assistance:

- ▶ Push to move, heavy - left: **9 238 052**
heavy - right: **9 238 053**

Example: top mounted cabinet



Planning details:

<https://www.hettich.com/short/09f536>

- ▶ Number of folding doors: 1
- ▶ Door wing width: 295 mm
- ▶ Door wing weight: 5 kg
- ▶ Front design: with handle
- ▶ Opening assistance: Pull to move
- ▶ Self closing feature: Unsprung
- ▶ Opening force: low
- ▶ Bottom door guide: recommended
- ▶ Wardrobe without plinth: guide below the structural panel



Profiles:

- ▶ Runner profile, 2400mm: **9 244 904 (white)** or **9 237 917 (silver)**
- ▶ Guide profile, 2400mm: **9 237 990 (silver)** or **9 244 905 (white)**

Fittings:

- ▶ Running and guide components weight of 12 kg, unsprung
- left: **9 237 480** & **9 237 433**
- ▶ Centre hinge 2-part: **9 229 920** & **9 236 605 x2**

Opening assistance:

- ▶ Pull to move, light - right: **9 238 118**

Example: utility room cabinet



Planning details:

<https://www.hettich.com/short/f33ae0>

- ▶ Number of folding doors: 2
- ▶ Door wing width: 363 mm
- ▶ Door wing weight: 4 kg
- ▶ Front design: with handle
- ▶ Opening assistance: Pull to move Silent
- ▶ Self closing feature: yes
- ▶ Opening force: moderate
- ▶ Bottom door guide: none needed
- ▶ Cabinet without plinth: guide not needed



Profiles:

- ▶ Runner profile, 2400mm: **9 244 904 (white)** or **9 237 917 (silver)**
- ▶ Guide profile, 2400mm: **9 237 990 (silver)** or **9 244 905 (white)**

Fittings:

- ▶ Running components only, weight of 12 kg, sprung
- left: **9 237 488** - right: **9 237 484**
- ▶ Centre hinge 2-part: **9 229 920** & **9 236 605 x4**

Opening assistance:

- ▶ Pull to move Silent, medium - left: **9 238 121**
medium - right: **9 238 124**

Folding door system

▶ WingLine L - the fast and easy way to the right article

Example: under stairs cabinet



Planning details:

- ▶ Number of folding doors: 1
- ▶ Door wing width: 495 mm
- ▶ Door wing weight: 11.5 kg
- ▶ Front design: without handle
- ▶ Opening assistance: Push to move
- ▶ Self closing feature: Unsprung
- ▶ Opening force: high
- ▶ Bottom door guide: recommended
- ▶ Wardrobe with plinth: guide below the bottom panel

<https://www.hettich.com/short/edbceb>



Profiles:

- ▶ Runner profile, 2400mm: **9 244 904 (white)** or **9 237 917 (silver)**
- ▶ Guide profile, 2400mm: **9 237 990 (silver)** or **9 244 905 (white)**

Fittings:

- ▶ Running and guide components weight of 12 kg, unsprung
- right: **9 237 480** & **9 237 433**
- ▶ Centre hinge 2-part: **9 229 920** & **9 236 605 x3**

Opening assistance:

- ▶ Push to move, heavy - right: **9 238 053**

Example: bathroom cabinet



Planning details:

- ▶ Number of folding doors: 2
- ▶ Door wing width: 298 mm
- ▶ Door wing weight: 5 kg
- ▶ Front design: with handle
- ▶ Opening assistance: no
- ▶ Self closing feature: yes
- ▶ Opening force: not necessary
- ▶ Bottom door guide: recommended
- ▶ Cabinet with plinth: guide below the bottom panel

<https://www.hettich.com/short/359366>



Profiles:

- ▶ Runner profile, 2400mm: **9 244 904 (white)** or **9 237 917 (silver)**
- ▶ Guide profile, 2400mm: **9 237 990 (silver)** or **9 244 905 (white)**

Fittings:

- ▶ Running and guide components weight of 12 kg, sprung
- left: **9 237 488** & **9 237 432** - right: **9 237 484** & **9 237 431**
- ▶ Centre hinge 2-part: **9 229 920** & **9 236 605 x3**

Opening assistance:

- ▶ None

Example: kitchen wall unit



Planning details:

- ▶ Number of folding doors: 1
- ▶ Door wing width: 445 mm
- ▶ Door wing weight: 4 kg
- ▶ Front design: front projecting below bottom panel as handle
- ▶ Opening assistance: Pull to move Silent
- ▶ Self closing feature: yes
- ▶ Opening force: moderate
- ▶ Bottom door guide: no
- ▶ Cabinet without plinth: guide not needed

<https://www.hettich.com/short/e9a1c8>



Profiles:

- ▶ Runner profile, 2400mm: **9 244 904 (white)** or **9 237 917 (silver)**

Fittings:

- ▶ Running component only, weight of 12 kg, sprung
- left: **9 237 488**
- ▶ Centre hinge 2-part: **9 229 920** & **9 236 605 x2**

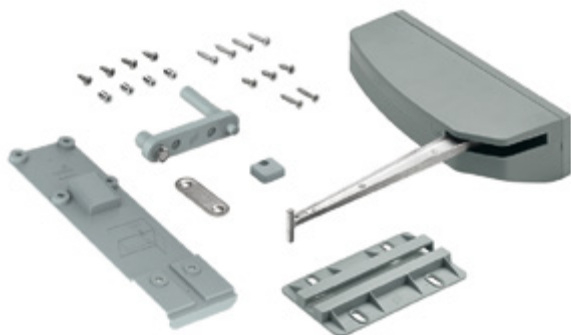
Opening assistance:

- ▶ Pull to move Silent, medium - left: **9 238 121**

Folding door system

- ▶ WingLine L / attached to the side
- ▶ System components

Push to move



- ▶ Mechanism for automatic, soft opening of a door set by pressing on the handleless front
- ▶ Set contains all the parts required for opening a folding sliding door with 2 wings

Set comprises:

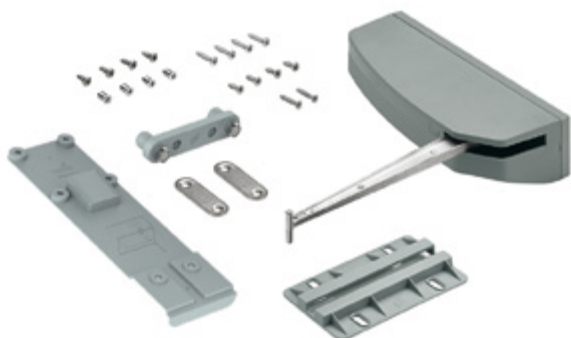
- ▶ 1 Push to move unit
- ▶ 1 support unit with 1 Push to open Pin and 1 magnet
- ▶ 1 magnetic counterplate
- ▶ 1 activator
- ▶ 1 door rail
- ▶ 1 positioning aid
- ▶ Fixing screws

Advice:

- ▶ Please order profiles and fittings separately
- ▶ Cabinet body hinges without self closing feature must be used in combination with Push to move. Recommendation: Sensys 8675 opening angle 110°

Version	Order no. / Cabinet side		PU
	left	right	
light	9 238 102	9 238 113	1 set
medium	9 238 051	9 238 101	1 set
heavy	9 238 052	9 238 053	1 set

Pull to move



- ▶ Mechanism for automatic, soft opening of a door set with minimal pull on the handle
- ▶ Set contains all the parts required for opening a folding sliding door with 2 wings

Set comprises:

- ▶ 1 Pull to move unit
- ▶ 1 support unit with 2 magnets
- ▶ 2 magnetic counterplates
- ▶ 1 door rail
- ▶ 1 positioning aid
- ▶ Fixing screws

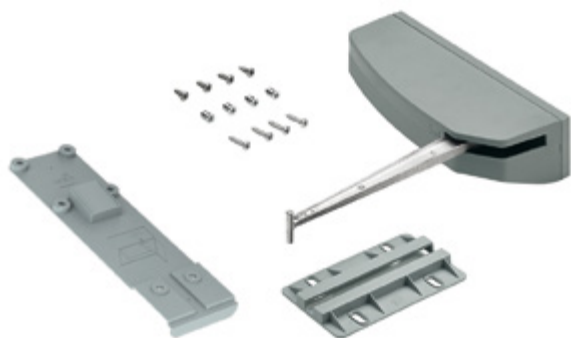
Advice:

- ▶ Please order profiles and fittings separately
- ▶ Cabinet body hinges without self closing feature must be used in combination with Pull to move. Recommendation: Sensys 8675 opening angle 110°

Version	Order no. / Cabinet side		PU
	left	right	
light	9 238 117	9 238 118	1 set
medium	9 238 115	9 238 116	1 set
heavy	9 238 125	9 238 114	1 set

- ▶ WingLine L / attached to the side
- ▶ System components

Pull to move Silent



- ▶ Mechanism for automatic, soft opening of a door set with a light pull on the handle
- ▶ Silent and soft closing of the door set with Sensys cabinet body hinge
- ▶ Set contains all the parts required for opening a folding sliding door with 2 wings

Set comprises:

- ▶ 1 Pull to move Silent unit
- ▶ 1 door rail
- ▶ 1 positioning aid
- ▶ Fixing screws

Advice:

- ▶ Please order profiles and fittings separately
- ▶ Cabinet body hinges with self closing feature must be used in combination with Push to move Silent. Recommendation: Sensys 8645i opening angle 110°

Version	Order no. / Cabinet side		PU
	left	right	
light	9 238 120	9 238 119	1 set
medium	9 238 121	9 238 124	1 set
heavy	9 238 123	9 238 122	1 set

- ▶ WingLine L / attached to the side
- ▶ System components

Running component for door wing weighing up to 25 kg with self closing feature sprung



- ▶ Can be used in standard folding door application without opening mechanism
- ▶ Can be used in combination with Pull to move Silent
- ▶ Tool-less fast installation
- ▶ With 2 concealed hinges
- ▶ +/- 3 mm height adjustment
- ▶ Steel, nickel plated / plastic, grey

Cabinet side	Order no.	PU
left	9 237 492	50 ea.
right	9 237 493	50 ea.

Running component for door wing weighing up to 25 kg unsprung



- ▶ For use in combination with Pull to move and Push to move
- ▶ Tool-less fast installation
- ▶ With 2 concealed hinges
- ▶ +/- 3 mm height adjustment
- ▶ Steel, nickel plated / plastic, grey

Cabinet side	Order no.	PU
left	9 237 495	50 ea.
right	9 237 494	50 ea.

Running component for door panel weighing up to 12 kg with self closing feature sprung



- ▶ Can be used in standard folding door application without opening mechanism
- ▶ Can be used in combination with Pull to move Silent
- ▶ Tool-less fast installation
- ▶ With 1 concealed hinge
- ▶ +/- 3 mm height adjustment
- ▶ Steel, nickel plated / plastic, grey

Cabinet side	Order no.	PU
left	9 237 488	50 ea.
right	9 237 484	50 ea.

Running component for door panel weighing up to 12 kg unsprung



- ▶ For use in combination with Pull to move and Push to move
- ▶ Tool-less fast installation
- ▶ With 1 concealed hinge
- ▶ +/- 3 mm height adjustment
- ▶ Steel, nickel plated / plastic, grey

Cabinet side	Order no.	PU
left	9 237 479	50 ea.
right	9 237 480	50 ea.

Folding door system

- ▶ WingLine L / attached to the side
- ▶ System components

Guide component with self closing feature sprung



- ▶ Can be used in standard folding door application without opening mechanism
- ▶ Guide component with 3 runner rollers and 1 concealed hinge
- ▶ Can be used in combination with Pull to move Silent
- ▶ Tool-less fast installation
- ▶ Installation on or under the plinth
- ▶ Steel, nickel plated / plastic, grey

Mounting option	Order no. / Cabinet side		PU
	left	right	
Installation on plinth	9 237 431	9 237 432	100 ea.
Installation under plinth	9 237 432	9 237 431	100 ea.

Guide component unsprung



- ▶ Can only be used in combination with Pull to move and Push to move
- ▶ Guide component with 3 runner rollers and 1 concealed hinge
- ▶ Tool-less fast installation
- ▶ Installation on or under the plinth
- ▶ Steel, nickel plated / plastic, grey

Mounting option	Order no. / Cabinet side		PU
	left	right	
Installation on plinth	9 237 433	9 237 434	100 ea.
Installation under plinth	9 237 434	9 237 433	100 ea.

Centre hinge, fast installation



- ▶ Centre hinge, comprising 2 components
- ▶ Tool-less door panel installation
- ▶ For easy screw mounting on door panel
- ▶ Plastic, grey (1), galvanised steel (2)

Version	Order no.	PU
Hinge component 1	9 229 920	200 ea.
Hinge component 2	9 236 605	400 ea.

Centre hinge with adjustable offset pivot



- ▶ Centre hinge for folding doors
- ▶ For door thicknesses from 15 mm
- ▶ Same drilling pattern for door and side element, both elements are mounted separately
- ▶ The reveal can be infinitely adjusted from minimum reveal to + 4 mm, application is always flush
- ▶ Gradual adjustment of the pivot offset with 0 mm, 3 mm and 6 mm
- ▶ Zinc die-cast nickel plated

Mounting option	Order no.	PU
For pressing in	0 052 095	10 ea.

Folding door system

- ▶ WingLine L / attached to the side
- ▶ System components

Runner profile



- ▶ For screwing on

Length mm	Finish	Order no.	PU
2000	powder coated, white	9 002 063	100 ea.
2000	silver anodized	9 013 759	110 ea.

Guide profile



- ▶ For screwing on
- ▶ Aluminium, silver anodized

Length mm	Order no.	PU
2000	0 072 919	4 ea.

Cover cap for running component for door wings weighing up to 25 kg



- ▶ For covering running components for door wings weighing up to 25 kg
- ▶ Plastic, grey

Order no.	PU
9 227 326	500 ea.

Door damper



- ▶ Prevents running and guide component from colliding with the side panel
- ▶ One door damper must be fitted for each running and guide component
- ▶ Can be shortened as required to suit door overlay
- ▶ Plastic, grey

Order no.	PU
9 236 926	500 ea.

Folding door system

- ▶ WingLine L / attached to the side
- ▶ System components

Stay open element



- ▶ Holds door set in opened position
- ▶ Prevents the door set from springing back
- ▶ One stay open element must be used for each door set
- ▶ Not needed when using Push to move, Pull to move or Pull to move Silent
- ▶ Plastic, grey

Hinge side of cabinet	Order no.	PU
left	9 237 710	500 ea.
right	9 237 711	500 ea.

Positioning aid centre hinge



- ▶ For easily defining the right drilling position for the fast assembly centre hinge
- ▶ 2 mm, 3 mm, 4 mm and 7 mm centre reveal possible
- ▶ Plastic, grey

Order no.	PU
9 237 039	100 ea.

Door protection clip



- ▶ Prevents a bowing door from colliding with the centre panel on closing
- ▶ Installed on the side panel in hole line 37 or 28
- ▶ Plastic, grey

Order no.	PU
9 236 460	500 ea.

Profile support



- ▶ Supports the runner profile at the end of the profile
- ▶ Use is recommended if the last screw on position cannot be used in the profile for design reasons
- ▶ Plastic, grey

Order no.	PU
9 236 461	500 ea.

Profile mounting clip



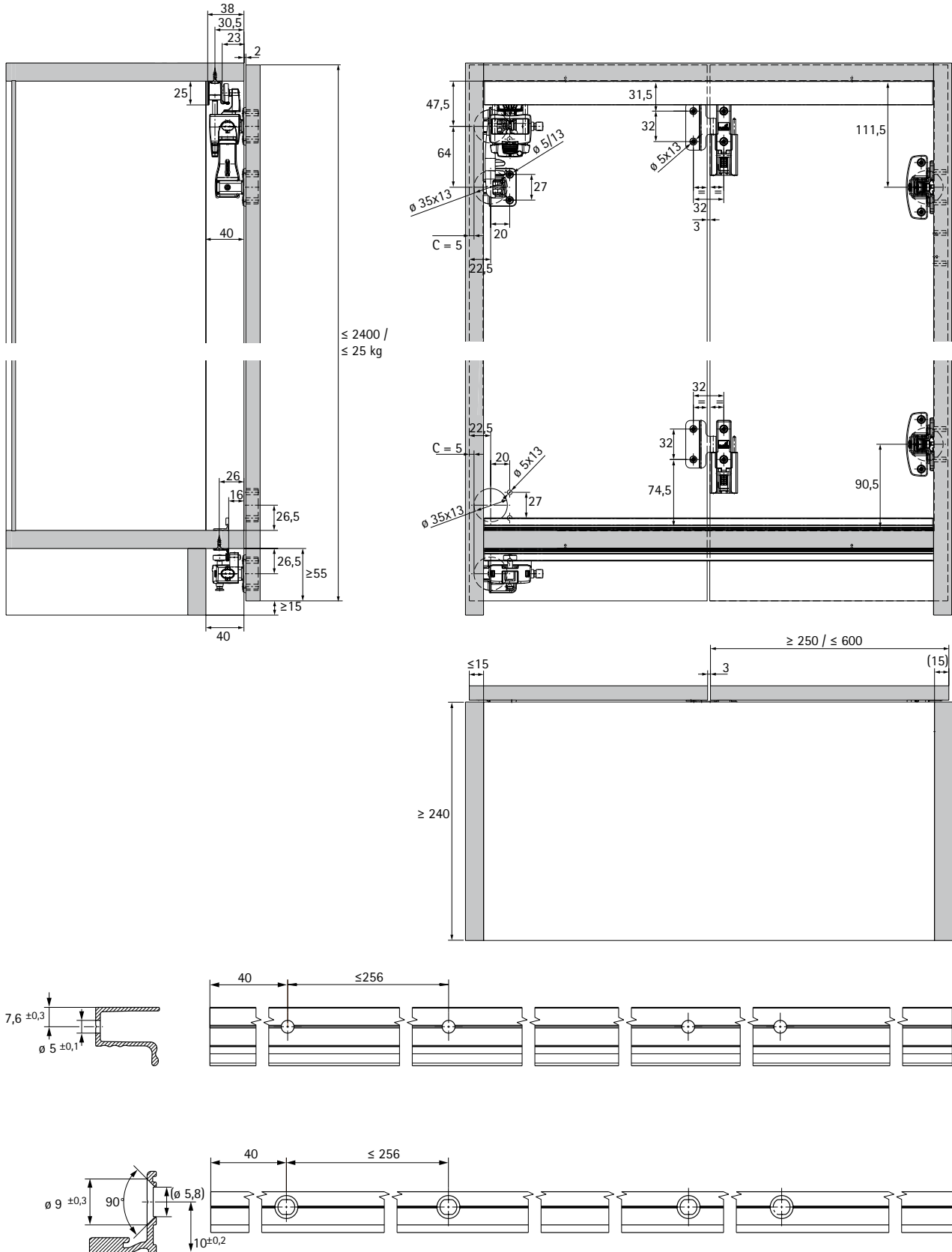
- ▶ Securely holds the profiles in the correct screw mounting position
- ▶ Installation clip can be used on the runner profile and guide profile (on and under the plinth)
- ▶ Plastic, grey

Order no.	PU
9 237 758	500 ea.

Folding door system

- ▶ WingLine L / attached to the side
- ▶ Planning dimensions

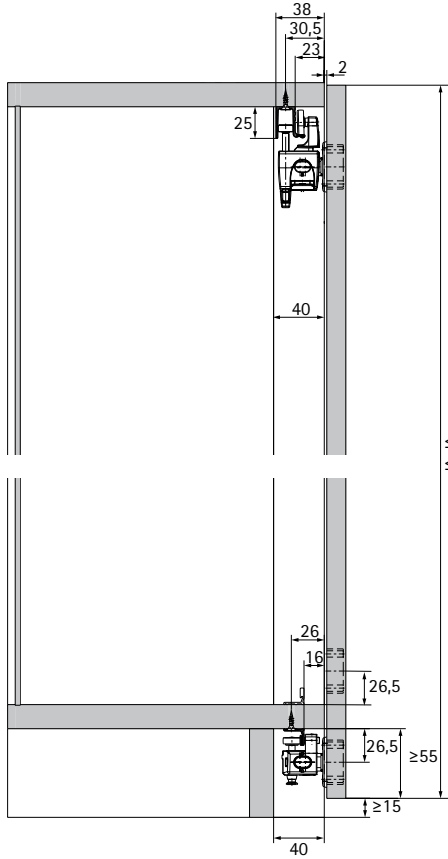
WingLine L max. door wing weight 25 kg



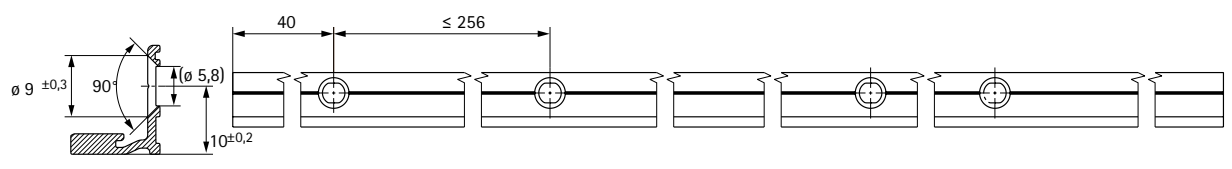
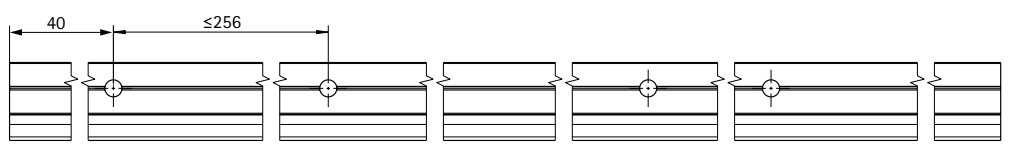
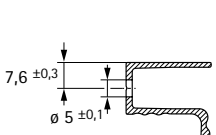
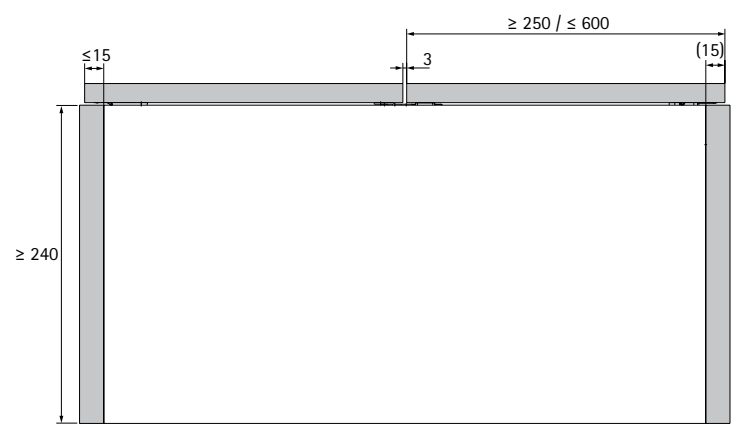
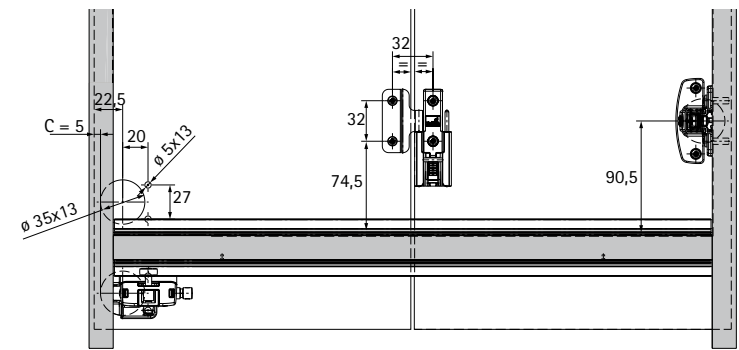
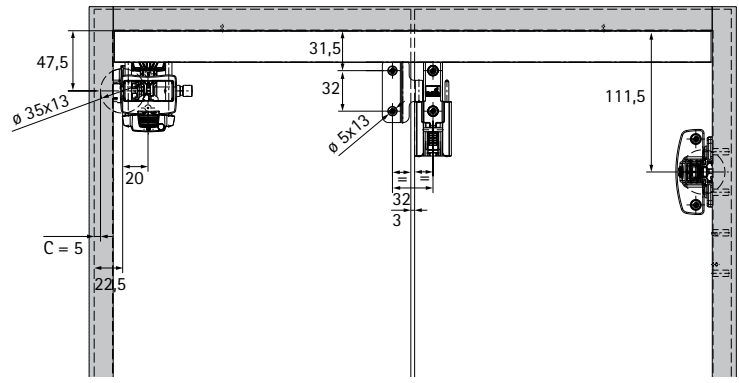
Folding door system

- ▶ WingLine L / attached to the side
- ▶ Planning dimensions

WingLine L max. door panel weight 12 kg



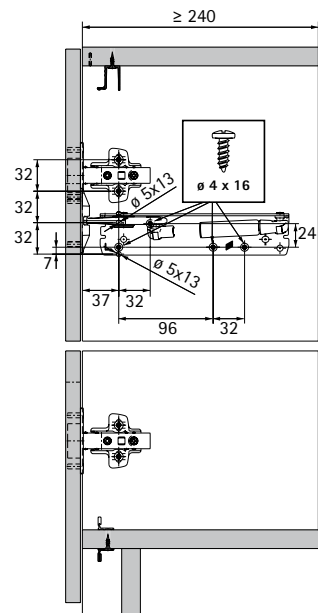
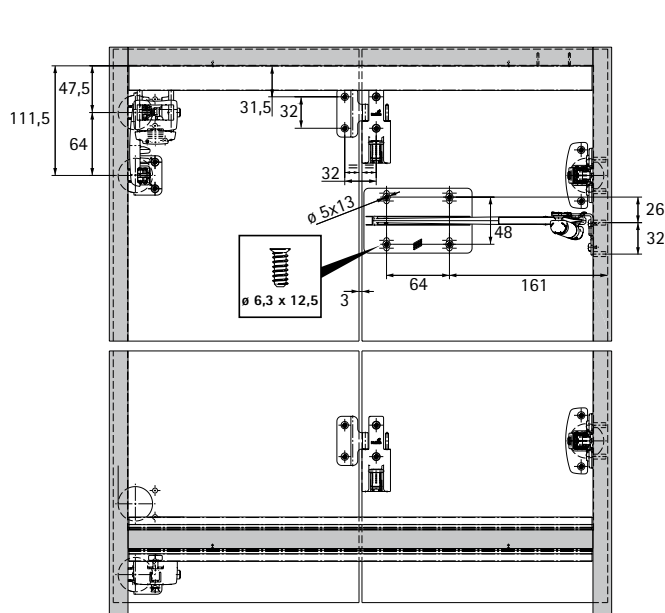
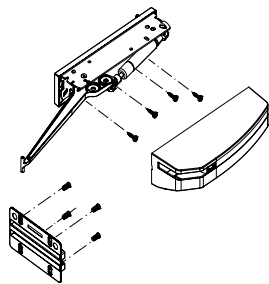
≤ 2400 /
≤ 12 kg



Folding door system

- ▶ WingLine L / attached to the side
- ▶ Planning dimensions

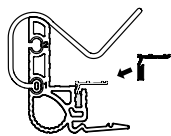
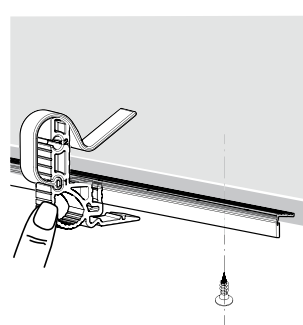
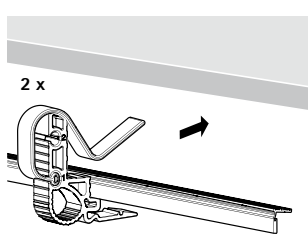
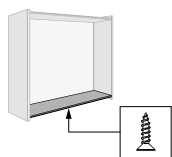
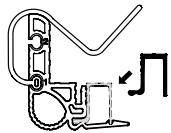
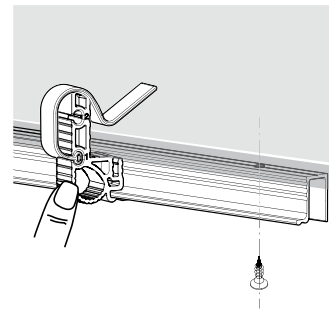
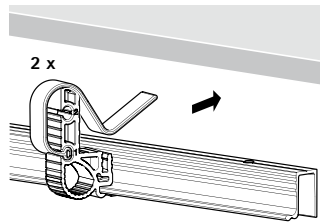
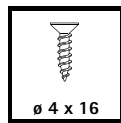
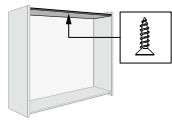
WingLine L with Pull to move Silent



Folding door system

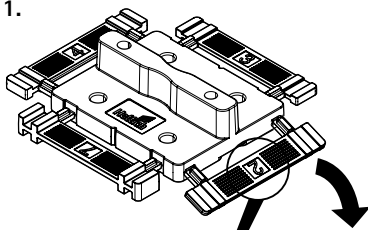
- ▶ WingLine L / attached to the side
- ▶ Installation

Installing runner and guide profiles



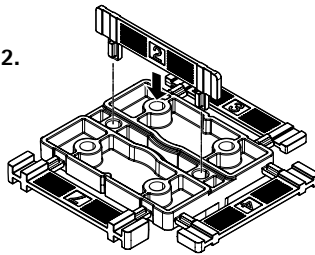
Positioning centre hinges

1.

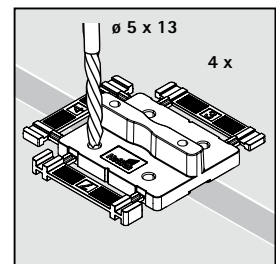
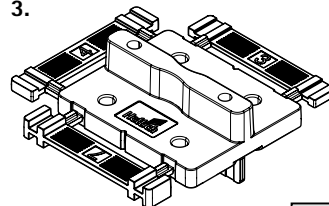


F = 2, 3, 4, 7

2.



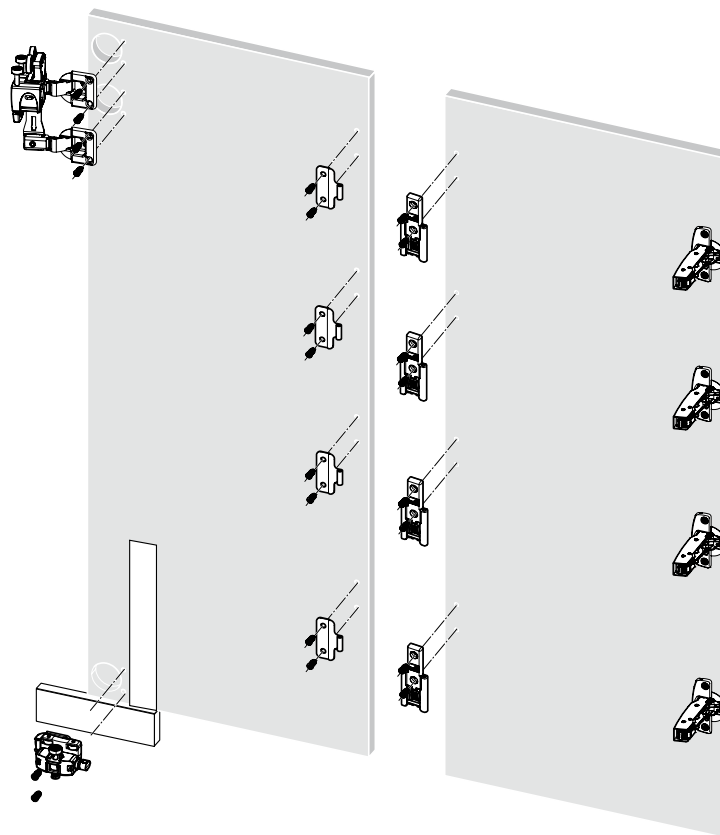
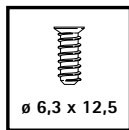
3.



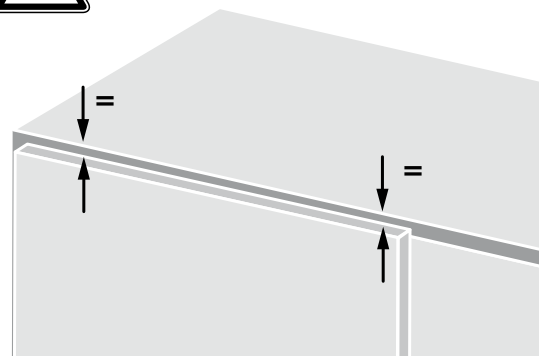
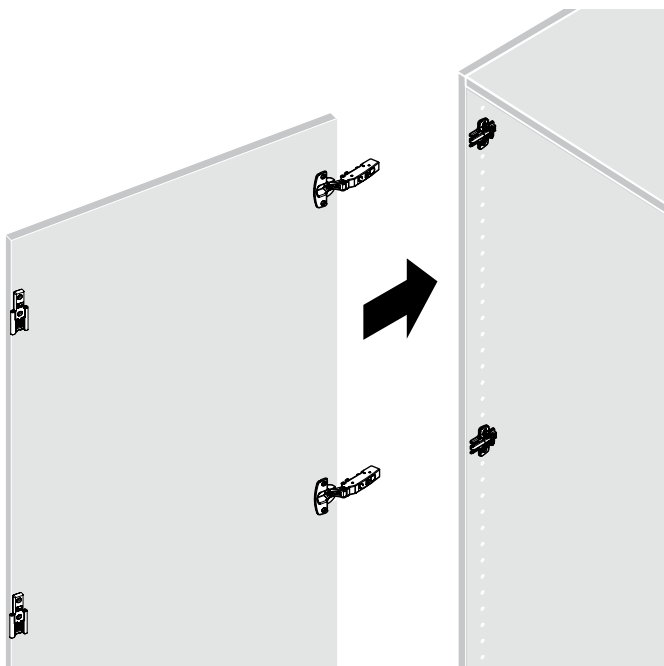
Folding door system

- ▶ WingLine L / attached to the side
- ▶ Installation

Installing fitting components



Installing first door wing

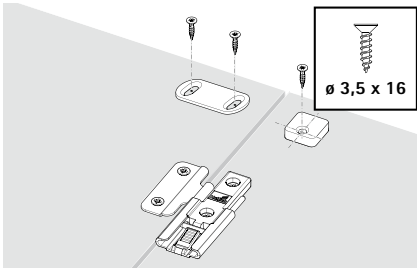
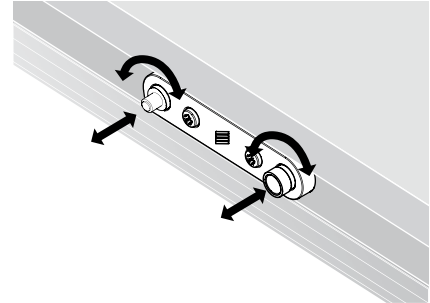
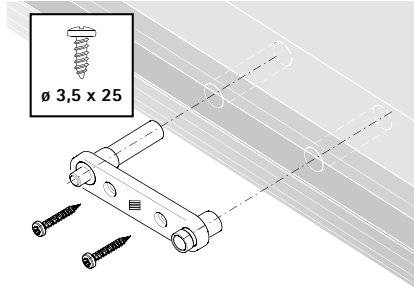
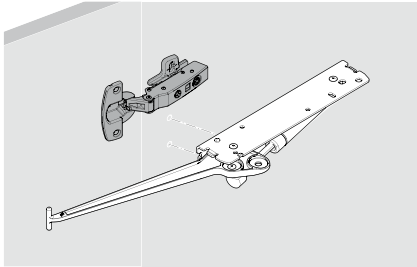


Folding door system

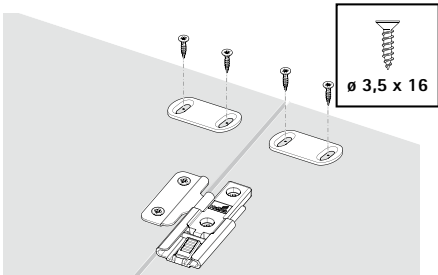
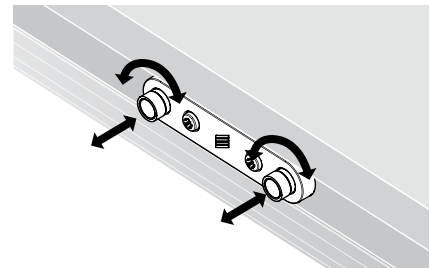
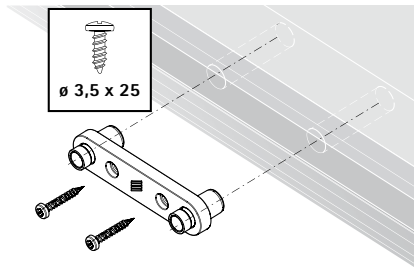
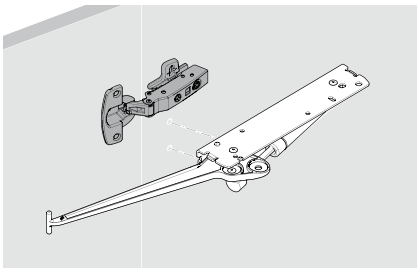
- ▶ WingLine L / attached to the side
- ▶ Installation

Installing Push to move / Pull to move / Pull to move Silent

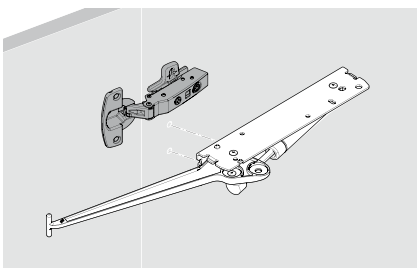
Push to move



Pull to move



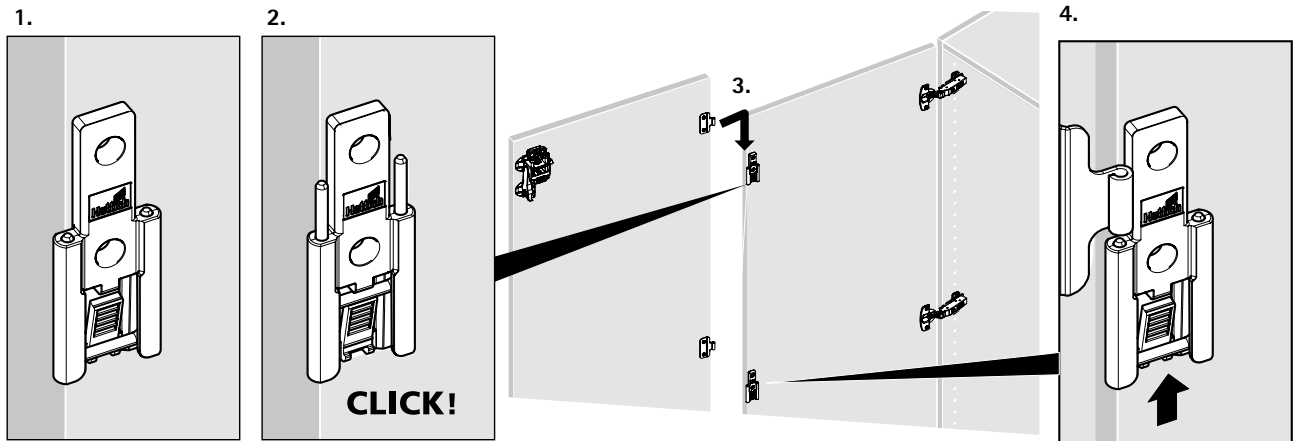
Pull to move Silent



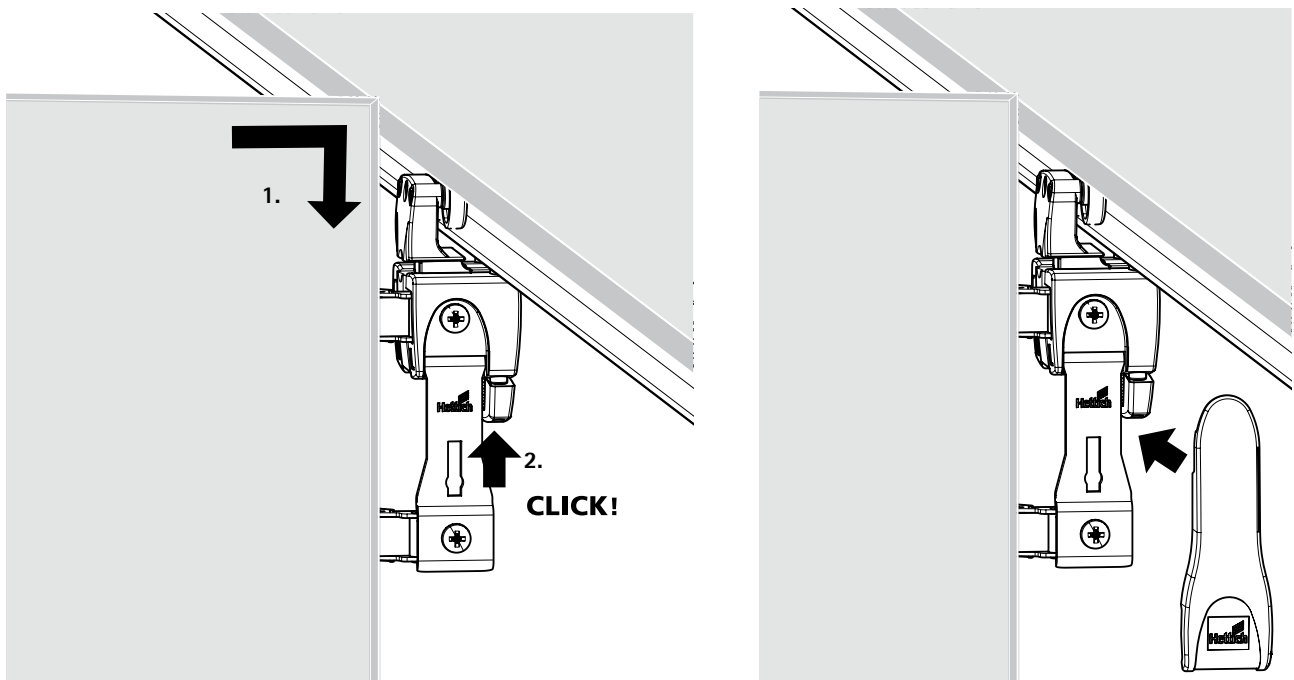
Folding door system

- ▶ WingLine L / attached to the side
- ▶ Installation

Toolless fast installation of the second door wing



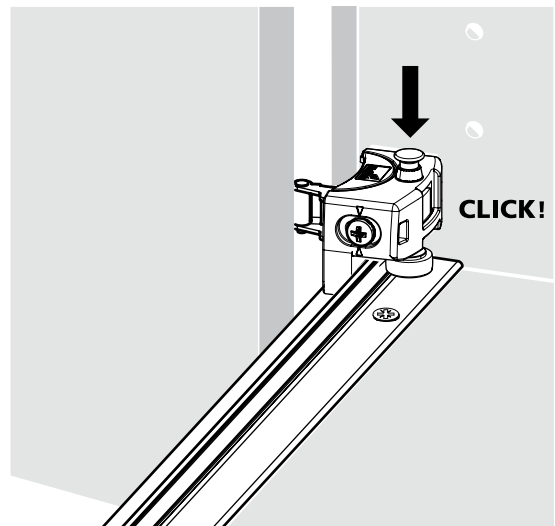
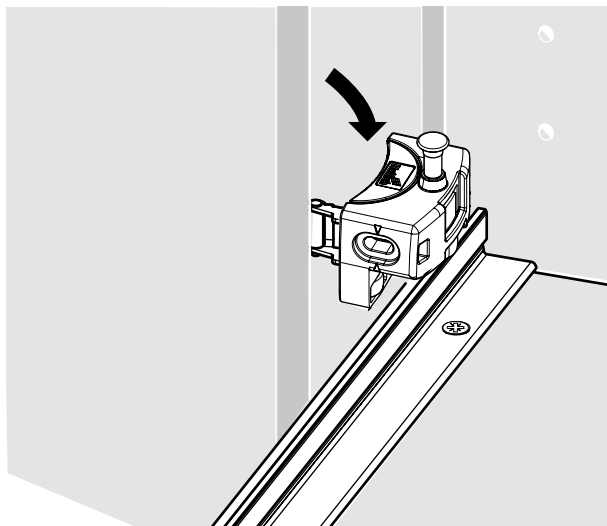
Tool-less running component fast assembly



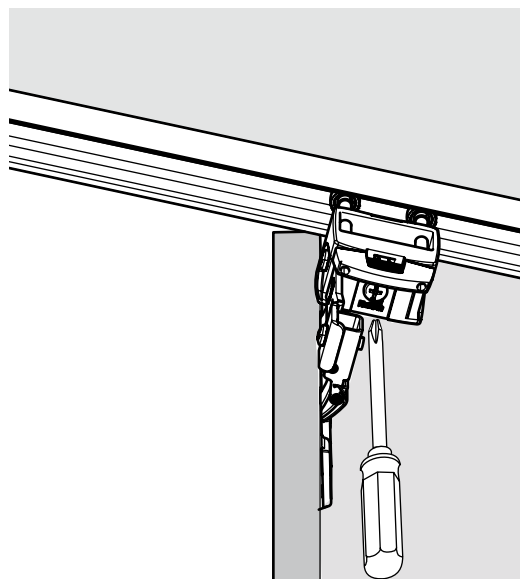
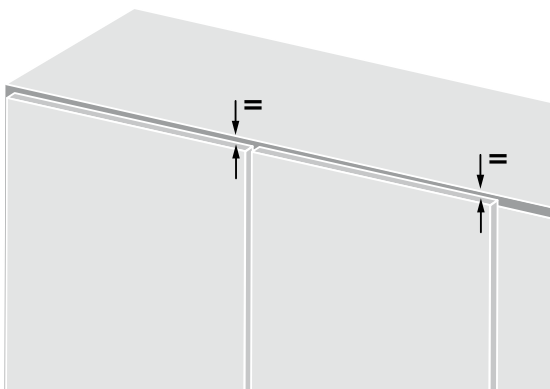
Folding door system

- ▶ WingLine L / attached to the side
- ▶ Installation

Tool-less fast assembly of guide components



Height adjustment at the running component



Folding door system

- ▶ WingLine 230 / Attached to the side
- ▶ All the benefits at a glance

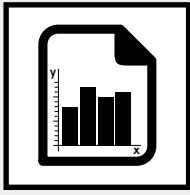


For mammoth tasks.

WingLine 230 is the giant among folding door systems: areas of over 6 m² are opened up in a single movement. Perfect for large cabinets, e.g. in the office or utility room. As an agile room divider. Or for a walk in cabinet in living areas that can be opened and closed with a turn of the hand. WingLine 230 has exactly what it takes, supporting doors with a leaf weight of 20 to 25 kg. Extremely sturdy: side mounting with Sensys 8645i fast assembly concealed hinge. WingLine 230 requires neither centre panels nor any bottom guide.

Folding door system

- ▶ WingLine 230 / Attached to the side
- ▶ Summary



Performance summary

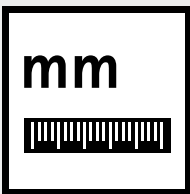
138 – 139

- ▶ Technical details in brief
- ▶ Door sizes
- ▶ Operating principle



System components

140



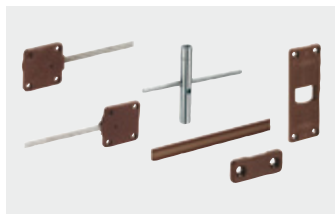
Planning dimensions

141 – 142



Installation

143



Accessories

144 – 145



Technical information

- ▶ Calculating door weights
- ▶ Design advice sliding door systems
- ▶ Quality criteria

160 – 161

162 – 164

165

Folding door system

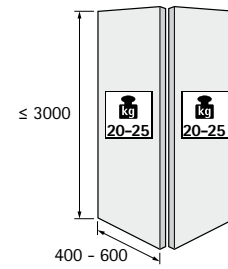


- ▶ WingLine 230 / Attached to the side
- ▶ Performance summary

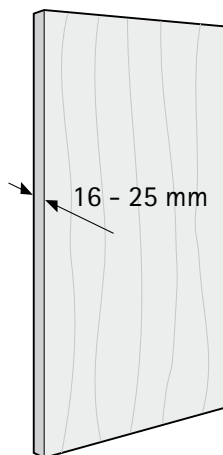
Technical details in brief

- ▶ For 1 folding door with 2 wings
- ▶ Overlay door position
- ▶ For wooden doors
- ▶ Suitable for use with Sensys hinge with Silent System
- ▶ Door wing weight 20 to 25 kg
- ▶ Door height up to 3000 mm
- ▶ Door wing width up to 600 mm
- ▶ Tested with 40000 cycles

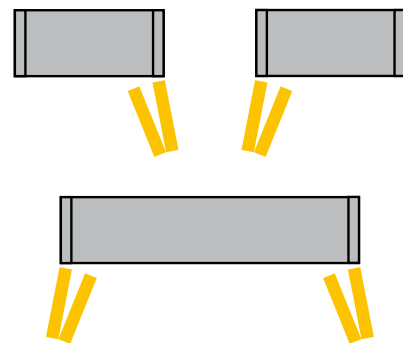
Door format and door weight



Door material



Number of door wings and door position

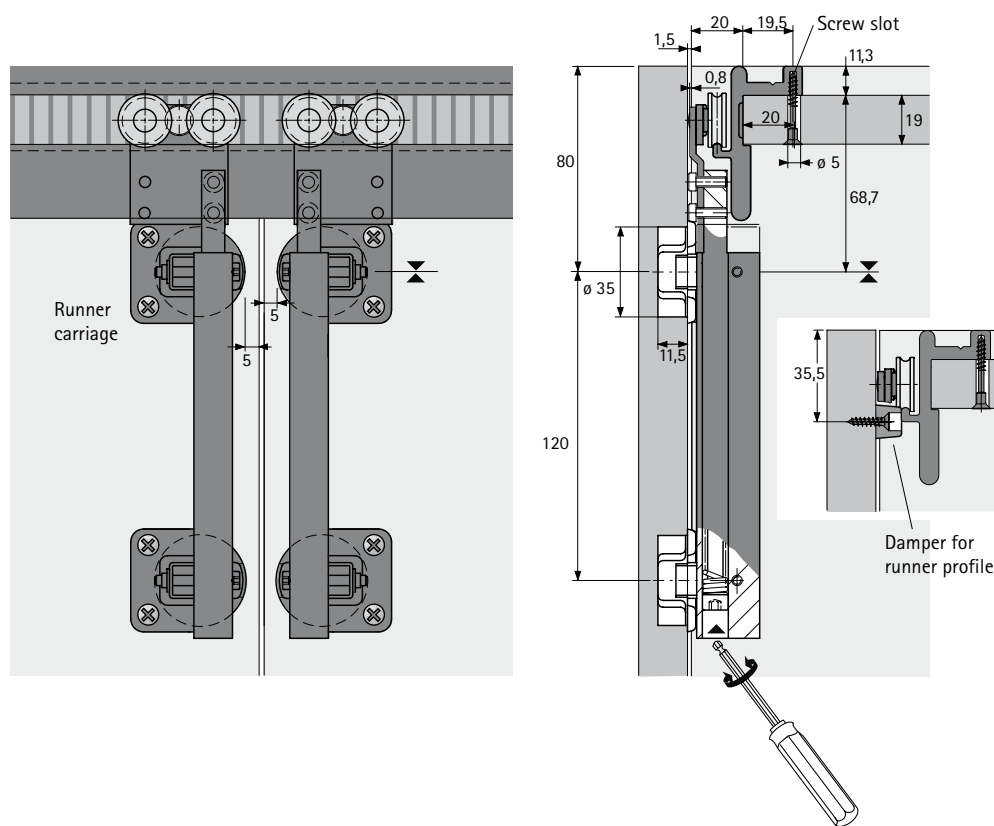


Folding door system

- ▶ WingLine 230 / Attached to the side
- ▶ Performance summary



Operating principle / 1 folding door with 2 wings



Folding door system

- ▶ WingLine 230 / Attached to the side
- ▶ System components

Set WingLine 230



- ▶ Set contains all the parts required for 1 folding sliding door with 2 panels, right or left, and 2 folding doors with 2 panels each on right and left

Set comprises:

- ▶ 1 / 2 running components
- ▶ 5 / 10 folding door hinges for pressing in
- ▶ 1 / 2 dampers on the loose shelf
- ▶ 1 / 2 dampers on the runner profile
- ▶ Fixing material

Advice:

- ▶ Please order profiles separately

Cabinet side	Order no.	PU
left	0 010 083	1 set
right	0 010 084	1 set
left and right	0 079 015	1 set

Runner profile



- ▶ For 19 mm top shelf
- ▶ For screwing on
- ▶ Length 2,400 mm
- ▶ Aluminium, powder coated white

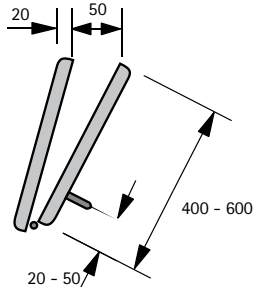
Length mm	Colour	Order no.	PU
2400	white	0 079 013	1/4 ea.

Folding door system

- ▶ WingLine 230 / Attached to the side
- ▶ Planning dimensions

WingLine 230 installation dimensions

2-wing door set



2-wing folding door

Door width 800 - 1200 mm
 Door weight / wing 20 - 25 kg
 Door wing height 2000 - 3000 mm

Calculation of door width / door wing width

2 folding doors with 4 wings

Door width = inside carcase width + (2 x overlay¹)

Door panel width = (inside carcase width - 3 x reveal + 2 x overlay¹) ÷ 4

Overlay¹: max. 15 mm, C dimension 5 mm

1 folding door with 2 wings

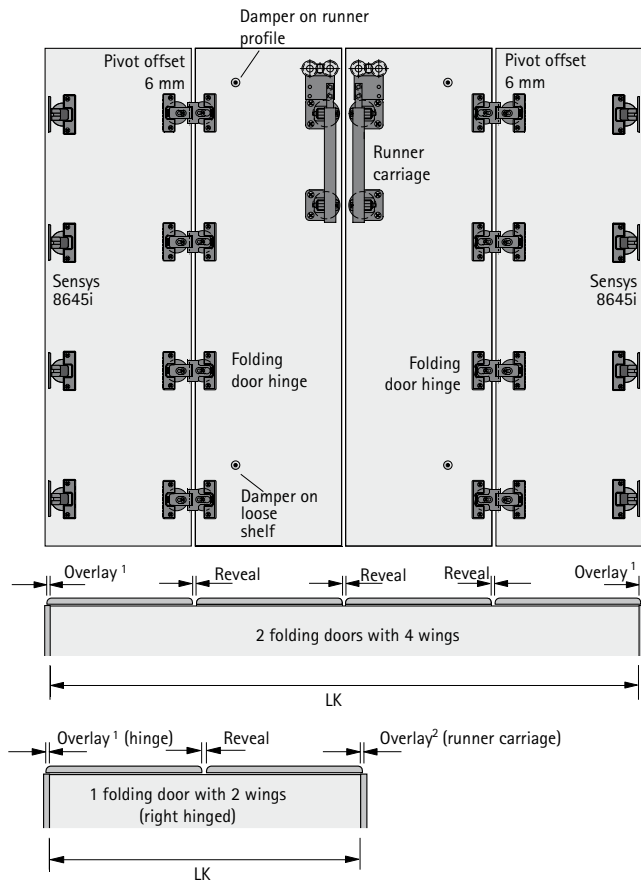
Door width = inside carcase width + (overlay¹ + overlay²)

Door panel width = (inside carcase width - 1 x reveal + overlay¹ + overlay²) ÷ 2

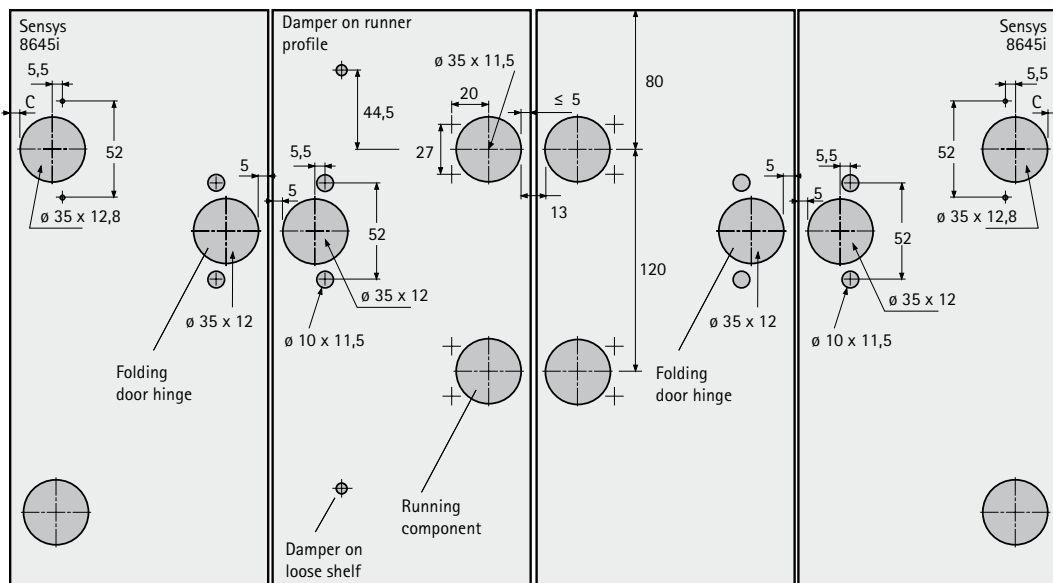
Overlay¹: max. 15 mm, C dimension 5 mm

Overlay²: max. 4 mm

4-wing folding door



Drilling patterns

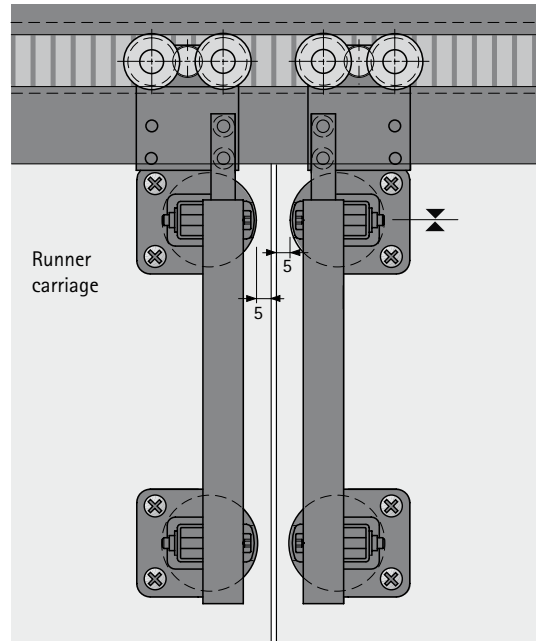
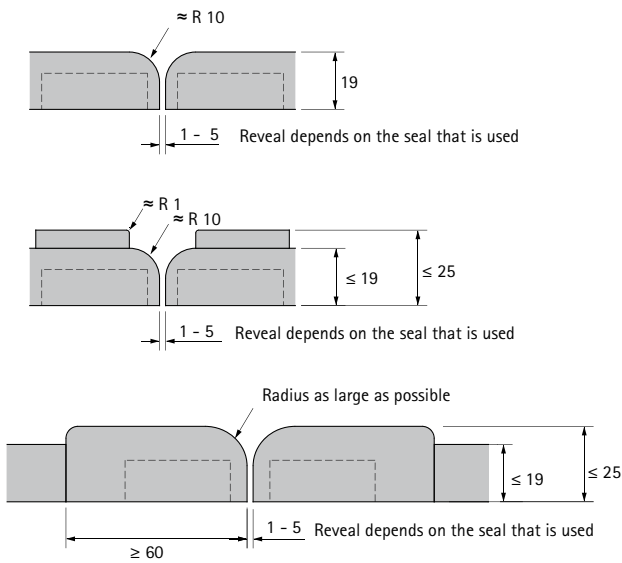


Folding door system

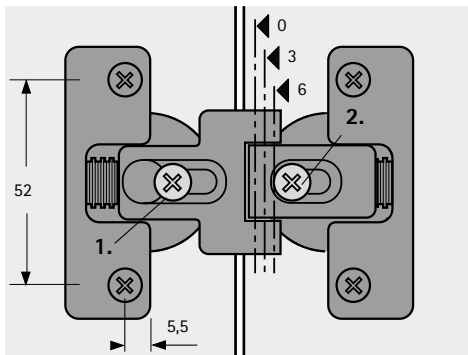
- ▶ WingLine 230 / Attached to the side
- ▶ Planning dimensions

WingLine 230 installation dimensions

Door wing contours and reveals (as finger protection)



Folding door hinge Mounting side right



1. Reveal adjustment: infinitely from minimum reveal to + 4 mm.
2. Gradual adjustment of the pivot offset (0 / 3 / 6) allows door protrusion to be set to 3, 6 or 12 mm.

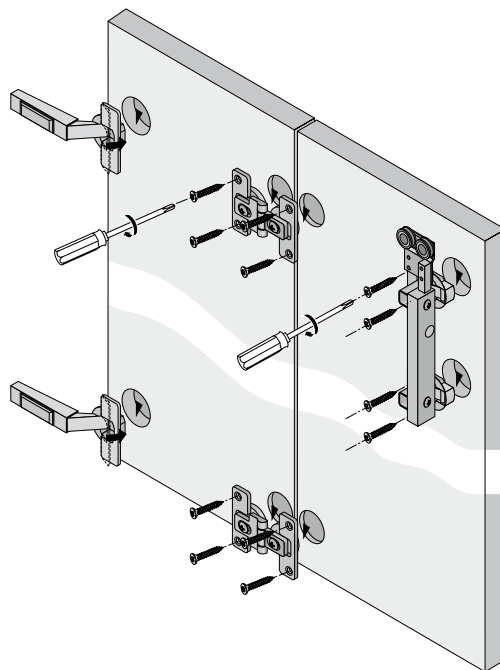
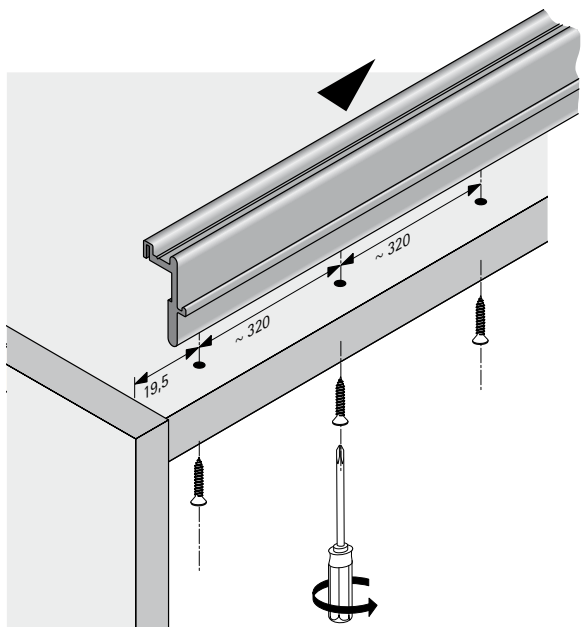
1. Reveal adjustment
2. Pivot offset

Pivot offset mm	Door protrusion mm
0	3
3	6
6	12

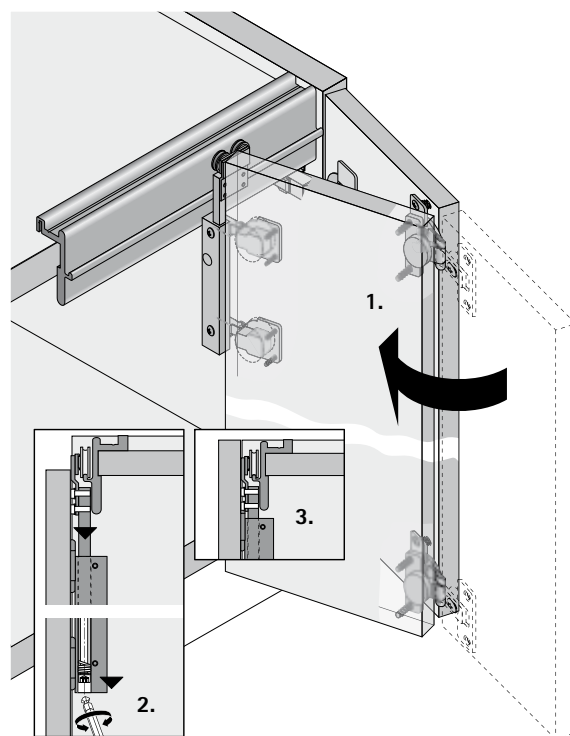
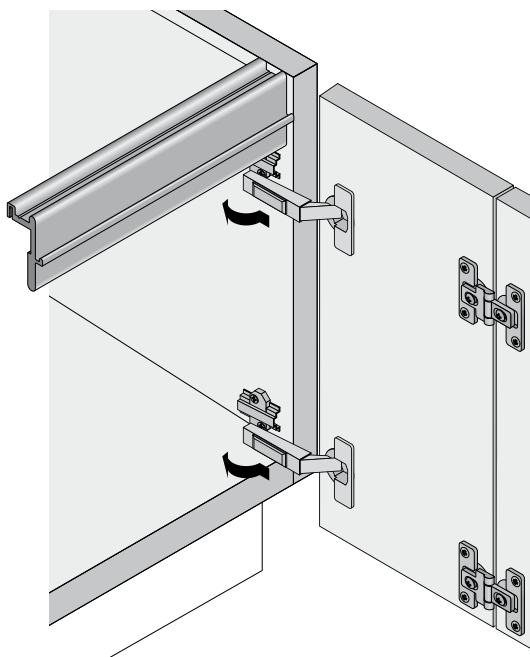
Folding door system

- ▶ WingLine 230 / Attached to the side
- ▶ Installation

Installing runner profile / preparing door set



Installation door set



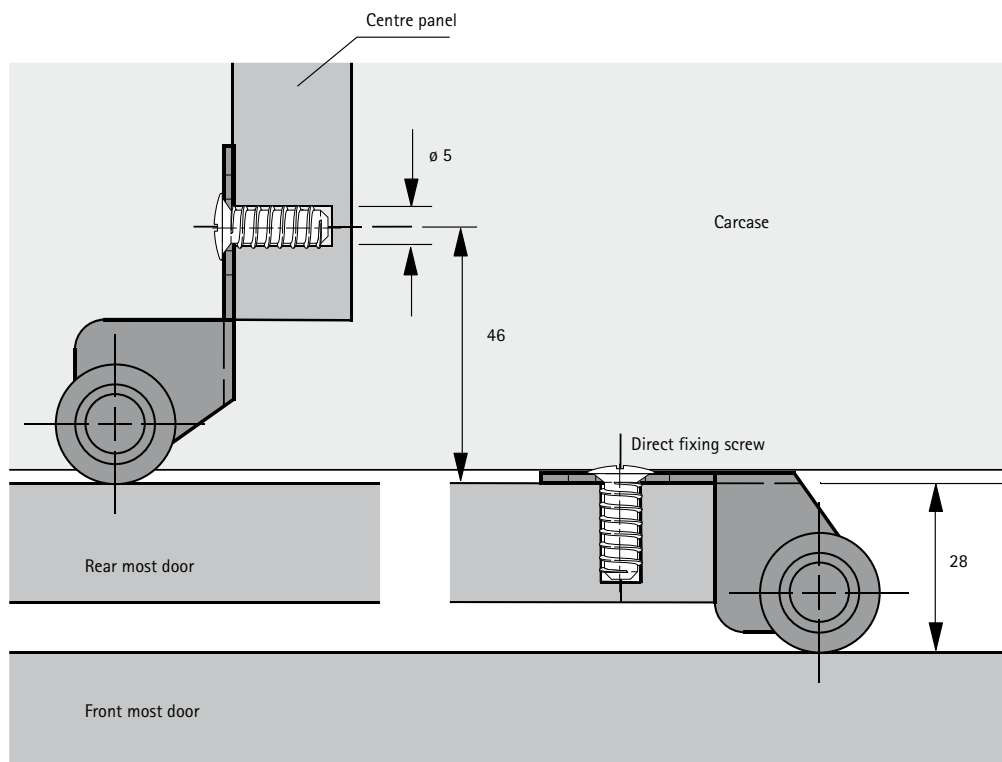
Spacer roller



- For tall sliding doors
- Galvanised steel

Order no.	PU
0 027 740	1/10 ea.

Technical information



Adjustment fitting, plastic



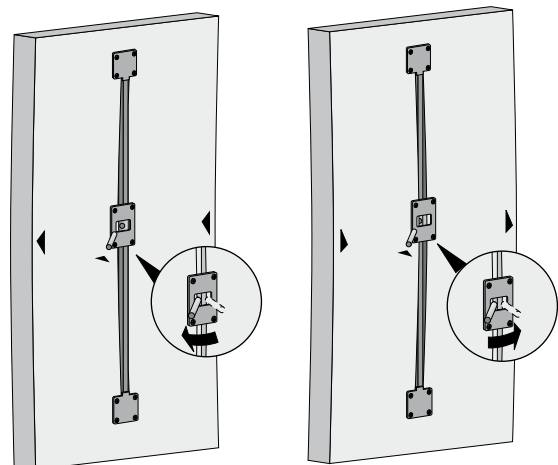
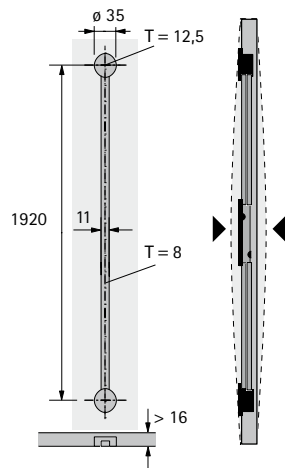
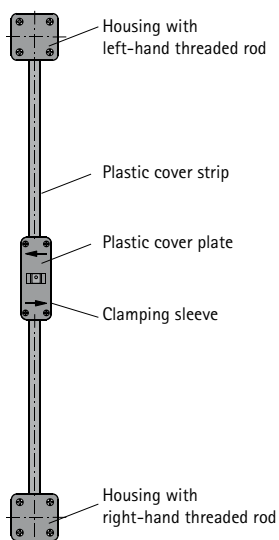
- For straightening distorted furniture doors
- Can also be used as a precautionary measure to prevent doors from warping
- For door / front panel thicknesses from 16 mm
- Maximum door / front panel height 2600 mm
- Installing the fitting is simple and straightforward: a pair of threaded rods, one with a right hand thread and one with a left-hand thread, are fed into a clamping sleeve.
- The threaded rods are each additionally supported in a housing that slots into a 35 mm drilling where it is screwed into place.
- Turning the clamping sleeve produces tensile or compressive force that corrects warping or bowing.
- The housing, clamping sleeve and threaded rods are covered to prevent damage to wardrobe and laundry
- The adjustment fitting can also be used horizontally
- It is recommended that 2 vertical adjustment fittings are installed near the outer edge. On large, wide doors, 2 horizontal fittings can be used instead or in addition

Set comprises:

- 1 housing with right hand threaded rod
- 1 housing with left-hand threaded rod
- 1 clamping sleeve
- 1 plastic cover plate
- 2 plastic cover strips
- 2 retainers for cover strips

Order no.	PU
0 045 198	2 set

Technical information



Sliding and folding door systems

► Additional systems

The following sliding/folding systems are also available from Hettich, here you will find an overview of these systems. You can find further technical detail and ordering information on each system on our website in the Further Sliding & Folding Systems; Online Edition PDF catalogue.

InLine XL
Sliding door system / top running 148 – 149



TopLine XL
Sliding door system / top running 150 – 151



SysLine S
Sliding door system / top running 152 – 153



SlideLine 97
Sliding door system / bottom running 154 – 155



WingLine 26
Folding door system 156 – 157



Wing 77
Folding door system 158 – 159

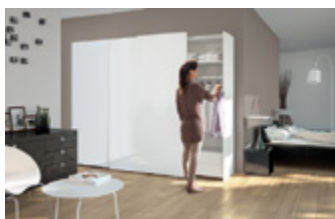


Sliding door system / top running

- ▶ InLine XL / flush fitted door position
- ▶ All the benefits at a glance



Premium design. Premium convenience. The flush fitted InLine XL sliding door system fascinates with its purist and classy look. It's the first sliding door system to do away with handles completely. This lets you design cabinets of stunningly clear cut design. The handleless flush fitted doors can be opened from the leading edge and moved with exceptional ease. And if handles are use, they can be fitted at any chosen position on the front panel. InLine XL makes maximum use of a cabinet's storage space: when opened, the doors can be positioned one in front of the other leaving them completely flush – to provide full access across the entire compartment width. And the design is overwhelming too: no offset to spoil the look, hardly any visible reveals, fascinating flush fit. Sliding doesn't get better than this.



Classy and ergonomic: easily opening handleless, flush fitted door at the leading edge.



Doors open without any protrusion for unobstructed access and maximum use of storage space.



Moves a lot – with little effort: High level of premounted parts for easy and cost efficient installation.



Very easy to install: in next to no time – also on floor to ceiling cabinets.

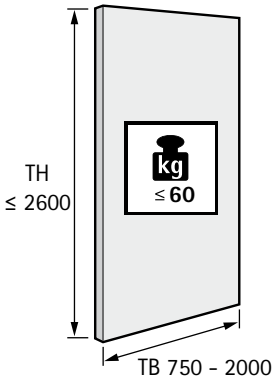
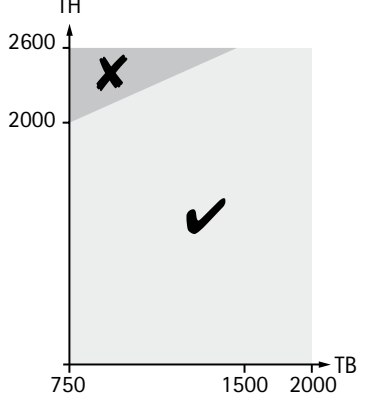
Sliding door system / top running

- ▶ InLine XL / flush fitted door position
- ▶ Performance summary


Technical details in brief

- ▶ Top-running sliding door system
- ▶ Flush fitted doors
- ▶ For wooden or aluminium framed doors
- ▶ Door weights up to 60 kg
- ▶ Door height up to 2600 mm
- ▶ Door width 750 - 2000 mm
- ▶ Door thicknesses 16 - 25 mm
- ▶ Height adjustment, adjustable door overlay and tilt adjustment
- ▶ Silent System (adjustable) in opening and closing direction
- ▶ Tested to DIN EN 15706

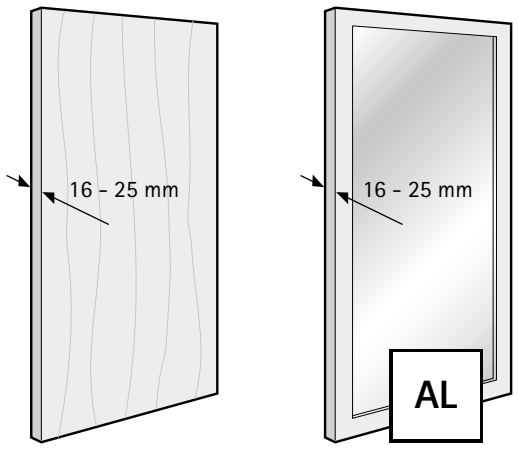
Door format and door weight


TB	750	950	1150	1500	...	2000
TH ≤	2000	2200	2400	2600	...	2600





Door material



Number of door wings and door position



Silent System

	2-door	
Soft closing		
Soft opening		

Sliding door system / top running

- ▶ TopLine XL / overlay door position
- ▶ All the benefits at a glance



Invisibly smart. Whisper quiet. With TopLine XL, you can create sliding doors in a new dimension of luxurious convenience. Because the concealed premium quality sliding door system brings fascinatingly smooth, quiet running action to large surface doors weighing up to 80 kg. Invisibly mounted, the soft opening, soft closing and soft colliding

element provides perfect convenience with a feel of luxury. The TopLine XL System gives you maximum flexibility in designing cabinets because it can be adjusted in many different ways. Fast installation of doors, Silent System and profiles save a lot of time and money.



Opens smoothly, closes gently: Silent System for first class practical convenience from any door.



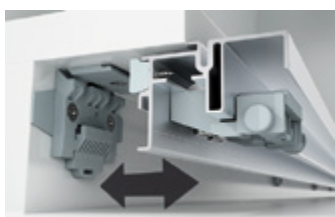
Excellent running performance: fascinatingly smooth action and virtually silent.



Functionality meets design: fully concealed system without any loss of storage space.



Quickly and without the need for screws: simply thread in the Silent System and lock in place.



Tool-less clip on installation: runner and guide profile quickly and easily installed.



Fast door installation: Hook doors into the runner profile, clip in guides – job done!



More design flexibility: Position handles wherever chosen, easily open internal drawers.



Perfect reveal alignment: Easy height adjustment even with doors in place.

Sliding door system / top running

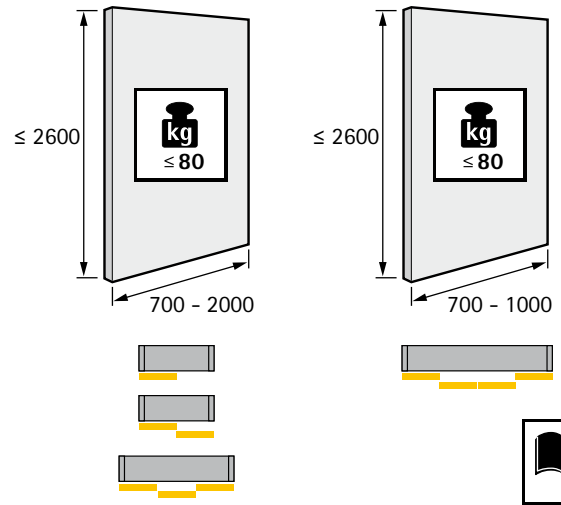


- ▶ TopLine XL / overlay door position
- ▶ Performance summary

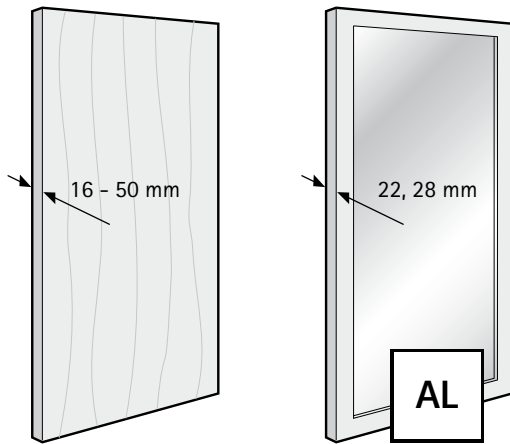
Technical details in brief

- ▶ 2-track, top running sliding door system
- ▶ Overlay door position
- ▶ For wooden doors or wood / aluminium framed doors
- ▶ Door weight up to 80 kg
- ▶ Door height up to 2600 mm
- ▶ Door width 700 - 2000 mm
- ▶ Door thicknesses 22, 28, 40, 50 mm
- ▶ Height adjustment ± 2 mm
- ▶ Door height, door offset and door overlay adjustable
- ▶ Easy to open with minimal opening resistance
- ▶ Silent System in closing, opening and colliding direction
- ▶ Fast installation of runner systems and Silent System
- ▶ Tested to DIN EN 15706, Level 3

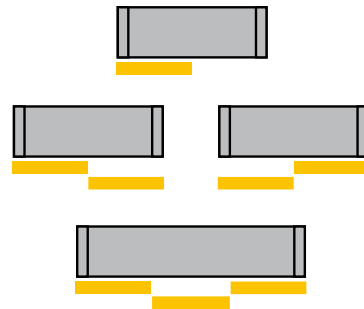
Door format and door weight



Door material



Number of door wings and door position



Silent System

	1-door	2-door	3-door
Soft closing			
Soft opening			
Soft colliding			

Sliding door system / top running

- ▶ SysLine S / inset door position
- ▶ All the benefits at a glance



Storage space wizard. Do you place the most exacting demands on functionality and quality? If you do, then SysLine S is the perfect sliding door system. It gently moves aside doors weighing up to 15 kg - and makes optimum use

of storage space. The optional Silent System provides even more convenience. High quality technology you can feel everywhere but see nowhere. For the ultimate in design. The bottom panel has no intrusive profiles either.



More peace and quiet: optional Silent System in closing and opening direction.



Superbly designed and convenient: no profiles on the bottom panel to spoil the look.



Almost invisible: Runner profiles are recessed into the top panel.



Save time: the door is quickly hooked in and aligned by clip installation and tool-less height adjustment.



Uniform panel thicknesses for less material handling: top panels from 16 mm.



Optimum use made of storage space: SysLine S opens doors with zero protrusion.



Design the plinth in any chosen way: Any runner system can be chosen.



A better place to work: sliding doors provide greater freedom of movement at the workplace.

Sliding door system / top running



- ▶ SysLine S / inset door position
- ▶ Performance summary

Technical details in brief

- ▶ Inset door position
- ▶ 1 or 2-track, top running sliding door system
- ▶ For top panel thicknesses of 16 mm and over
- ▶ For wooden and aluminium framed doors
- ▶ Door weight up to 15 kg
- ▶ Door height up to 1500 mm
- ▶ Door width 410 - 1000 mm
- ▶ Door thicknesses 16 - 19 mm
- ▶ Optional Silent System in closing and opening direction
- ▶ Tool-less height adjustment +/- 1.5 mm
- ▶ Tool-less fast installation of the front panel
- ▶ Can be combined with various runner gliders or STB 11, STB 35 guide system
- ▶ Tested to DIN EN 15706, Level 3

Door format and door weight

Door material

Number of door wings and door position

Silent System

	1-door	2-door		
Soft closing				
Soft opening				

Sliding door system / bottom running

- ▶ SlideLine 97 / Inset door position
- ▶ All the benefits at a glance



Stunning look for glass.

The SlideLine 97 glass sliding door fitting lets you create glass display cabinets in a class of their own. The glass doors are guided in specially designed convex profiles – providing precision, secure running action. With a feel of luxury second to none: ball bearings with steel outer ring and sound absorbing plastic sheathing ensure permanently smooth and quiet running performance. For 5, 6 or 8 mm glass and doors weighing up to 25 or 50 kg.



Sound and secure:
SlideLine 97 for inset, bottom running glass sliding doors.



Customised and fast:
cost effective solutions with the modular system.



Guarding against unauthorised access: the Prestige 2000 cylinder push lock.

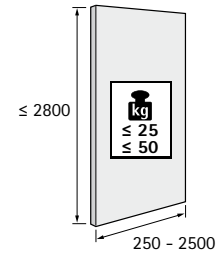


- ▶ SlideLine 97 / Inset door position
- ▶ Performance summary

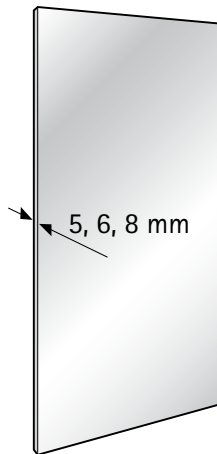
Technical details in brief

- ▶ Door weight no more than 25 kg or 50 kg per glass door
- ▶ Suitable for glass thicknesses 5, 6 and 8 mm
- ▶ Running components with plastic sheathed ball bearing
- ▶ Door height up to 2800 mm
- ▶ Door width 250 - 2500 mm
- ▶ Lockable with Prestige 2000 cylinder push lock
- ▶ Tested to EN 15706, Level 2

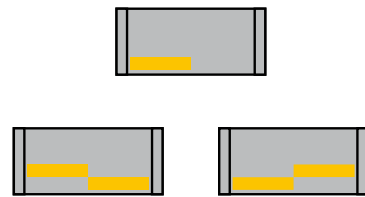
Door format and door weight



Door material



Number of door wings and door position



Folding door system

- ▶ WingLine 26 / side mounted
- ▶ All the benefits at a glance



Economic miracle.

Reliable system providing excellent value for money: the WingLine 26 folding door system manages without a bottom guide. Given its uncomplicated design, the WingLine 26 system is also often used for a bottom guide – where it complements the top running WingLine 770 / 780.



Good basis: WingLine 26 is the preferred option for the bottom guide.



Destined for greater things: WingLine 26 is also suitable as a top runner system for small doors.

Folding door system

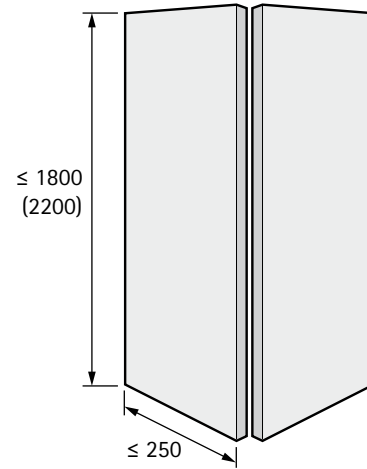


- ▶ WingLine 26 / side mounted
- ▶ Performance summary

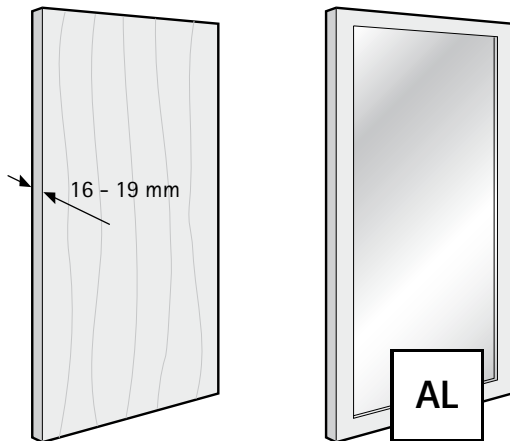
Technical details in brief

- ▶ For 1 folding door with 2 wings
- ▶ Overlay door position
- ▶ For wooden doors or wood / aluminium framed doors
- ▶ Suitable for use with Sensys hinge with Silent System
- ▶ Door wing weight depends on hinges
- ▶ Door height up to 1800 mm (2200 mm with bottom guide)
- ▶ Door wing width up to 250 mm
- ▶ Ideal as bottom guide for WingLine 770 / WingLine 780
- ▶ Tested with 40000 cycles

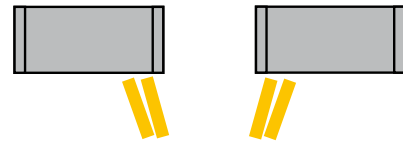
Door size and door weight



Door material



Number of door wings and door position



Folding door system

- ▶ Wing 77 / freely moveable
- ▶ All the benefits at a glance



Fantastic flexibility.

With Wing 77, you can produce cabinet fronts with two door leaves (no more than 25 kg each) or four door leaves (no more than 20 kg each). The clever part: the entire door set is free moving! Door sets can also be interlinked. Surprise your customers individually tailored folding door solutions for the bedroom or office. Wing 77 gives you the design flexibility to do so.



Leaves a good impression: Design flexibility with up to 4 door wings. No mounting to carcase side.



Tried and proven: sturdy runner profile on the top panel as well as bottom guide.

Folding door system

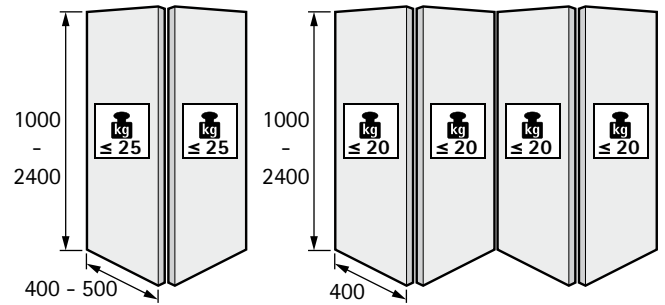


- ▶ Wing 77 / freely moveable
- ▶ Performance summary

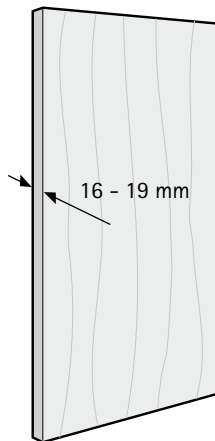
Technical details in brief

- ▶ Folding door system with 2 or 4 door wings
- ▶ Overlay door position
- ▶ For wooden doors
- ▶ Door wing weight up to 20 kg (25 kg) with 4 (2) door wings
- ▶ Door height up to 2400 mm
- ▶ Door wing width up to 400 mm (500 mm) with 4 (2) door wings
- ▶ Height adjustment +/- 3 mm
- ▶ Centre panels recessed 40 mm
- ▶ Tested with 40000 cycles

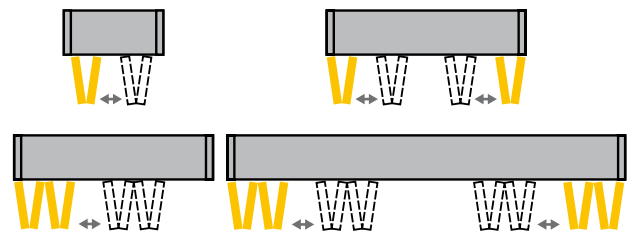
Door format and door weight



Door material



Number of door wings and door position



- ▶ Technical information
- ▶ Calculating door weights

Weight table for chipboard 19 mm

Door weight in kg (density = 700 kg/m³)

Door height mm	Door width mm														
	300	400	500	600	700	800	900	1000	1100	1200	1300	1400	1600	1800	2000
300	1,2	1,6	2,0	2,4	2,8	3,2	3,6	4,0	4,4	4,8	5,2	5,6	6,4	7,2	8,0
400	1,6	2,1	2,7	3,2	3,7	4,3	4,8	5,3	5,9	6,4	6,9	7,5	8,5	9,6	10,6
500	2,0	2,7	3,3	4,0	4,7	5,3	6,0	6,7	7,3	8,0	8,7	9,3	10,6	12,0	13,3
600	2,4	3,2	4,0	4,8	5,6	6,4	7,2	8,0	8,8	9,6	10,4	11,2	12,8	14,4	16,0
700	2,8	3,7	4,7	5,6	6,6	7,5	8,4	9,3	10,2	11,2	12,1	13,0	14,9	16,8	18,6
800	3,2	4,3	5,3	6,4	7,5	8,5	9,6	10,6	11,7	12,8	13,8	14,9	17,0	19,2	21,3
900	3,6	4,8	6,0	7,2	8,4	9,6	10,8	12,0	13,2	14,4	15,6	16,8	19,2	21,6	23,9
1000	4,0	5,3	6,7	8,0	9,3	10,7	12,0	13,3	14,6	16,0	17,3	18,6	21,3	23,9	26,6
1100	4,4	5,9	7,3	8,8	10,2	11,7	13,2	14,6	16,1	17,6	19,0	20,5	23,4	26,3	29,3
1200	4,8	6,4	8,0	9,6	11,2	12,8	14,4	16,0	17,6	19,2	20,8	22,3	25,5	28,7	31,9
1300	5,2	6,9	8,7	10,4	12,1	13,8	15,6	17,3	19,0	20,8	22,5	24,2	27,7	31,1	34,6
1400	5,6	7,5	9,3	11,2	13,0	14,9	16,8	18,6	20,5	22,3	24,2	26,1	29,8	33,5	37,2
1600	6,4	8,5	10,7	12,8	15,0	17,0	19,2	21,3	23,4	25,6	27,7	29,8	34,1	38,3	42,6
1800	7,2	9,6	12,0	14,4	16,8	19,2	21,6	24,0	26,3	28,7	31,1	33,5	38,3	43,1	47,9
2000	8,0	10,6	13,3	16,0	18,6	21,3	23,9	26,6	29,3	31,9	34,6	37,2	42,6	47,9	53,2
2200	8,8	11,7	14,6	17,6	20,5	23,4	26,3	29,3	32,2	35,1	38,0	41,0	46,8	52,7	58,5
2400	9,6	12,8	16,0	19,2	22,3	25,5	28,7	31,9	35,1	38,3	41,5	44,7	51,1	57,5	63,9
2600	10,4	13,8	17,3	20,8	24,2	27,7	31,1	34,6	38,0	41,5	45,0	48,4	55,3	62,2	69,2

Weight table for MDF 19 mm

Door weight in kg (density = 900 kg/m³)

Door height mm	Door width mm														
	300	400	500	600	700	800	900	1000	1100	1200	1300	1400	1600	1800	2000
300	1,5	2,1	2,6	3,1	3,6	4,1	4,6	5,1	5,6	6,2	6,7	7,2	8,2	9,2	10,3
400	2,1	2,7	3,4	4,1	4,8	5,5	6,2	6,8	7,5	8,2	8,9	9,6	10,9	12,3	13,7
500	2,6	3,4	4,3	5,1	6,0	6,8	7,7	8,6	9,4	10,3	11,1	12,0	13,7	15,4	17,1
600	3,1	4,1	5,1	6,2	7,2	8,2	9,2	10,3	11,3	12,3	13,3	14,4	16,4	18,5	20,5
700	3,6	4,8	6,0	7,2	8,4	9,6	10,8	12,0	13,2	14,4	15,6	16,8	19,2	21,6	23,9
800	4,1	5,5	6,8	8,2	9,6	10,9	12,3	13,7	15,1	16,4	17,8	19,2	21,9	24,6	27,4
900	4,6	6,2	7,7	9,2	10,8	12,3	13,9	15,4	16,9	18,5	20,0	21,6	24,6	27,7	30,8
1000	5,1	6,8	8,6	10,3	12,0	13,7	15,4	17,1	18,8	20,5	22,2	23,9	27,4	30,8	34,2
1100	5,6	7,5	9,4	11,3	13,2	15,1	16,9	18,8	20,7	22,6	24,5	26,3	30,1	32,9	37,6
1200	6,2	8,2	10,3	12,3	14,4	16,4	18,5	20,5	22,6	24,6	26,7	28,7	32,8	36,9	41,0
1300	6,7	8,9	11,1	13,3	15,6	17,8	20,0	22,2	24,5	26,7	28,9	31,1	35,6	40,0	44,5
1400	7,2	9,6	12,0	14,4	16,8	19,2	21,6	23,9	26,3	28,7	31,1	33,5	38,3	43,1	47,9
1600	8,2	10,9	13,7	16,4	19,2	21,9	24,6	27,4	30,1	32,8	35,6	38,3	43,8	49,3	54,7
1800	9,2	12,3	15,4	18,5	21,6	24,6	27,7	30,8	33,9	36,9	40,0	43,1	49,3	55,4	61,6
2000	10,3	13,7	17,1	20,5	23,9	27,4	30,8	34,2	37,6	41,0	44,5	47,9	54,7	61,6	68,4
2200	11,3	15,5	18,8	22,6	26,3	30,1	33,9	37,6	41,4	45,1	48,9	52,7	60,2	67,7	75,2
2400	12,3	16,4	20,5	24,6	28,7	32,8	36,9	41,0	45,1	49,3	53,4	57,5	65,7	73,9	82,1
2600	13,3	17,8	22,2	26,7	31,1	35,6	40,0	44,5	48,9	53,4	57,8	62,2	71,1	80,0	88,9

- ▶ Technical information
- ▶ Calculating door weights

Adjustment to different material thicknesses

The table entries refer to 19 mm thick material.
The table entries must be multiplied by a factor in order to adjust to material of different thickness.

Material thickness mm	Factor
15	0,79
16	0,84
18	0,95
19	1,00
20	1,05
22	1,16
23	1,21
26	1,37
29	1,53

Formula for conversion

Door weight = weight for door in thickness of 19 mm from table above x factor

Example

Chipboard door

H x W x D = 2000 x 1800 x 16

Weight shown in table for this door size, but material in a thickness of 19 mm = 47.9 kg

Convert to 16 mm door thickness using factor of 0.84 as shown in table on left

Door weight = 47.9 kg x 0.84 = 40.2 kg

Calculating weights of doors in alternative door materials

Density of various materials in kg/m³

Material	Density kg/m ³
Acrylic glass	1200
Aluminium	2700
Balsa wood	120
Concrete	2400
Lead	11300
Iron	7800
Gypsum plasterboard	900
Glass	2600
Hardboard	1000
Hardwood, wet (beech)	900
Hardwood, dry (beech)	800
Cork	300

To calculate the weight of doors in alternative door materials, the specific density of the door material must be taken into consideration.

Example

Door made of acrylic glass with a density of 1200 kg/m³
Door height: 2000 mm, door width: 1800 mm, material thickness: 6 mm

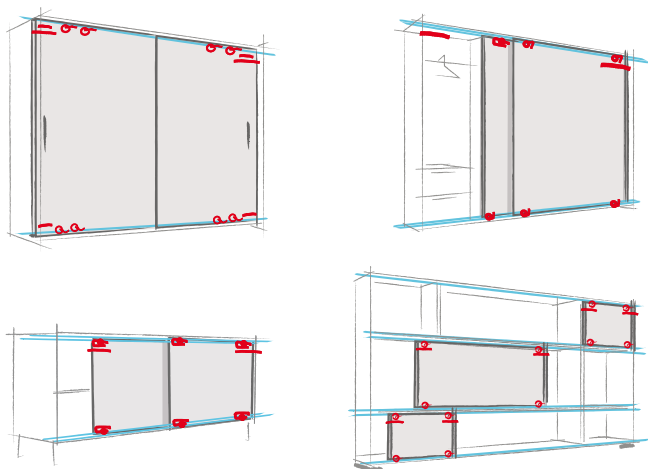
$$\text{Door weight [kg]} = \text{Height [m]} \times \text{Width [m]} \times \text{Material thickness [m]} \times \text{Density [kg/m}^3\text{]}$$

25,9 kg
=
 $\frac{2000}{1000}$
x
 $\frac{1800}{1000}$
x
 $\frac{6}{1000}$
x
1200

Sliding door systems

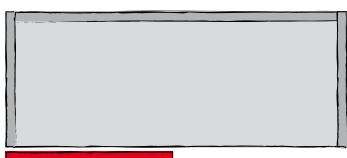
- ▶ Technical Information
- ▶ Design advice

Always the best system



Hettich sliding door systems give you the ideal solution to meet any consumer demand, because Hettich offers you numerous system options. Each design provides its own particular benefits and creative impact on the piece of furniture. Take advantage of Hettich sliding door systems for all cabinets and shelf units. We are now going to give you a brief introduction to the various systems, so you can quickly find the main criteria for selecting the right sliding door system.

Option 1: 1-track or multi-track sliding doors



1-track sliding doors do not close off furniture completely. The door only conceals individual furniture segments and can be pushed to the side. Typical application: the living room combination in which the TV set disappears behind the sliding door after use.

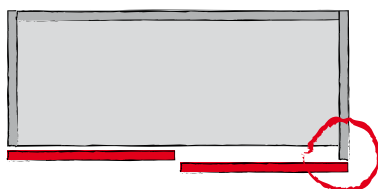


Multi-track sliding doors can close off the entire furniture carcass. At least two doors run in profiles installed one behind the other. Ideal for office cabinets, wardrobes and pantry units: the closed doors conceal the cabinet's entire contents, creating a neat and tidy look in a matter of seconds.



Flush fitted sliding doors are a special innovative type that also close off the complete carcass. The closed cabinet front panel forms an absolutely flat surface, reducing reveals to a minimum. An option for the most exacting demands on design. The doors run in a single track; on opening, however, a special mechanism automatically allows them to run one behind the other.

Option 2: overlay or inset sliding doors



Overlay sliding doors conceal – viewed from the front – the carcass side, the top panel and bottom panel. This makes the front panels the dominant design element of a piece of furniture. Please note: for furniture designed with two doors, the two carcass sides must be produced in different depths.

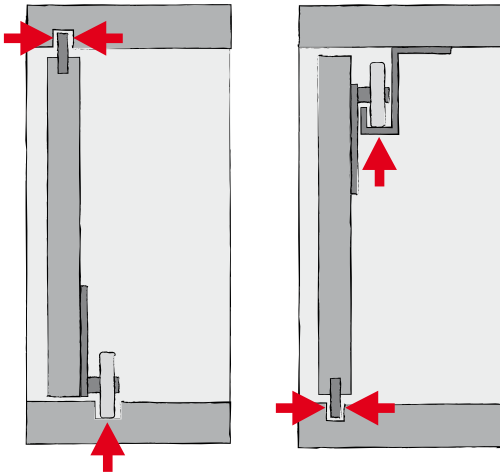


Inset sliding doors, in contrast, move between the carcass sides, the top panel and the bottom panel. The carcass elements are visible from the front, also influencing the design of furniture. The carcass sides are of identical depth.

Sliding door systems

- ▶ Technical Information
- ▶ Design advice

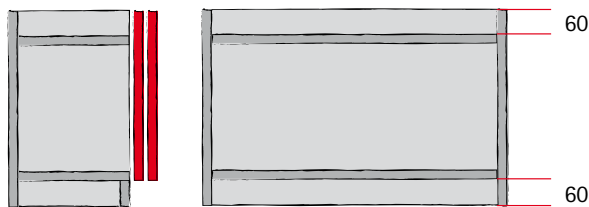
Option 3: bottom running or top running sliding doors



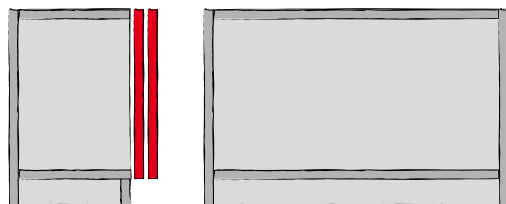
Bottom running sliding doors stand on rollers along their bottom edge and are stabilised by a guide at the top edge of the door. Given the uncomplicated carcass construction, predominantly low door weights and straightforward installation, bottom running doors are seen as the optimum gateway to constructing sliding door cabinets.

Top running sliding doors are suspended from the top panel. A guide at the bottom panel prevents the doors from wobbling. The fitting components can be positioned unobtrusively at the top and bottom panel – for furniture designed with a look of harmony. Top running sliding doors are ideal for heavy doors, e.g. in large wardrobes.

Option 4: installing sliding doors on or in front of the top panel

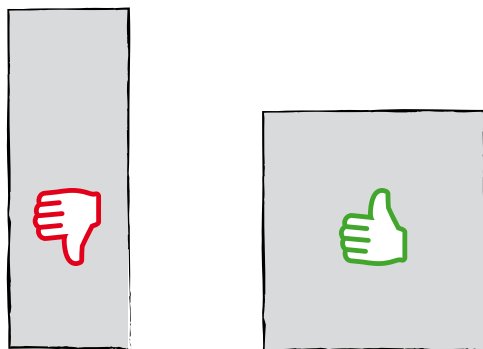


With a simple trick, the fitting technology can be installed largely **out of view on the top panel**: the top panel is lowered by 60 mm. Proviso: the piece of furniture is a tall cabinet with a top panel that is positioned out of sight.



On low cabinets, the top panel is always visible. In this case, carcass and top panel are conventionally mounted at right angles and the fitting technology is either attached **in front of or in the top or bottom panel**. The doors close flush at the top – a neat looking solution. Incidentally: the cabinet here is designed in the same way as hinged door cabinets. Benefit: subsequent conversion from hinged door to sliding door system can be done with little effort.

Option 5: sliding door format and material

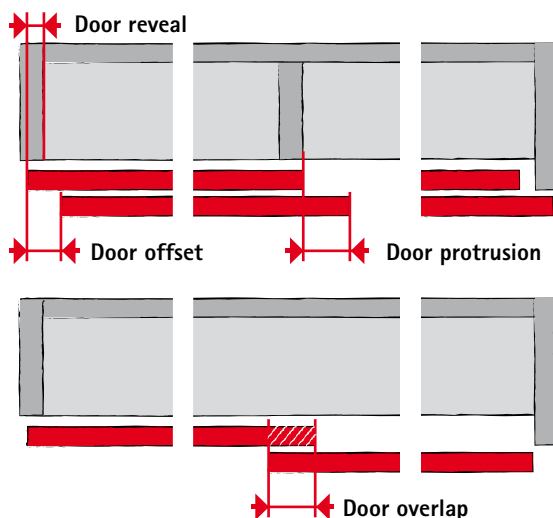


Key to selecting the appropriate system: format and material of the sliding door. In terms of format, bear in mind that wider doors run far more stably than narrow, tall sliding doors. Rule of thumb: the sliding door width should be at least half the height of the door.

Sliding door systems

- ▶ Technical Information
- ▶ Design advice

Definition of important dimensions

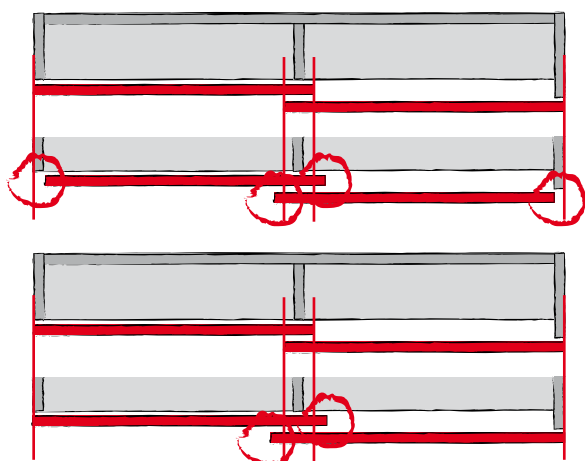


The **door reveal** is the extent to which the door overlaps the carcass side. The **door protrusion** is the measure of opened door offset to the centre panel.

The **door offset** prevents the forward door from knocking against the handle on the rear door.

Door overlap is the surface of the rear most door that is permanently covered by the front most door. The overlap should be approx. twice as large as the gap between front most door and rear most door to avoid being able to see inside the cabinet through the gap. On aluminium framed doors, frame width is often taken as the overlap. This positions the upright frame sections of the front most door and rear most door exactly in front of one another down the middle of the cabinet.

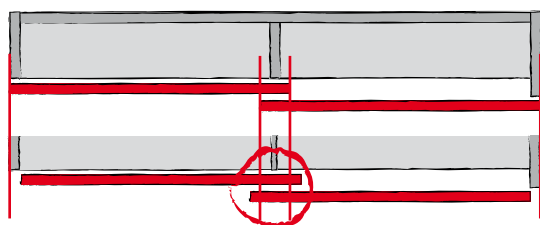
Door reveal as a variable influencing door protrusion



Reducing the door reveal increases the door protrusion on doors of identical width.

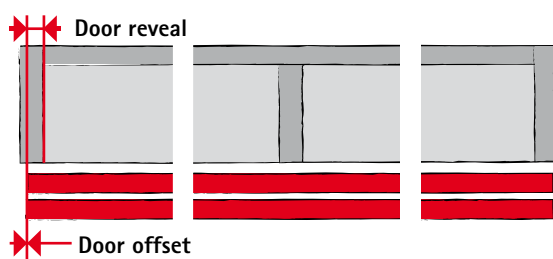
Increasing the door overlap on account of a larger door increases the door protrusion.

The centre panel as a variable influencing door protrusion



A thinner centre panel increases the door protrusion on doors of identical width.

Design with flush opening doors



The rear door must produce the same door reveal as the forward door. It must be noted here that this requires the use of special profiles.

Sliding door system

- ▶ Technical information
- ▶ Quality criteria

Quality that meets all the demands

The quality of the sliding door systems is monitored continuously. Hettich fittings comply with the national and international quality standards of the markets our customers operate in. The diagrams below show some of the tests to which Hettich fittings are subjected.

Load capacity

The values stated in the catalogue for Hettich sliding door systems comprise the permissible total weight of the door in combination with the permitted door sizes. All Hettich sliding door systems pass the overload test to EN 15706¹. The sliding door systems are suitable for furniture to EN 14749 when processed correctly as specified in the catalogue.

Corrosion test

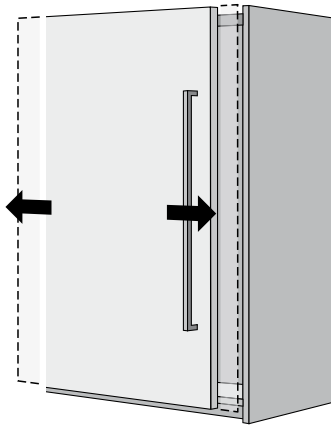
Hettich sliding door systems satisfy the requirements on corrosion defined in EN 15706, 72-hour condensation-water test to EN 6270.

¹ TopLine 1200 / 1210 / 1230 meets the requirements of ANSI / BHMA

Endurance test

The door must withstand a defined number of opening and closing cycles at a defined speed.

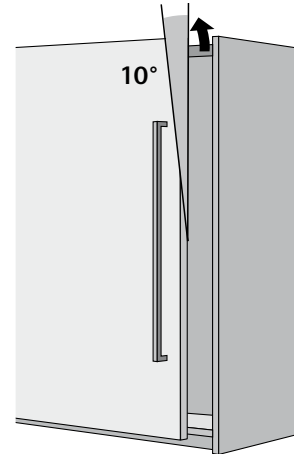
- Level 1: 10,000 cycles
- Level 2: 20,000 cycles
- Level 3: 40,000 cycles



Lift off guard

The door is pulled up and forwards at an angle with a defined force and must not become detached or fall out of the cabinet.

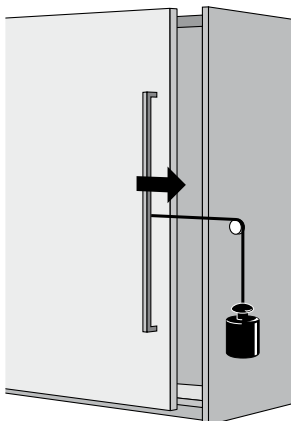
- Level 1: 150 N
- Level 2: 200 N
- Level 3: 250 N



Closing test

The door must withstand a specific number of closing cycles under a defined tensile load.

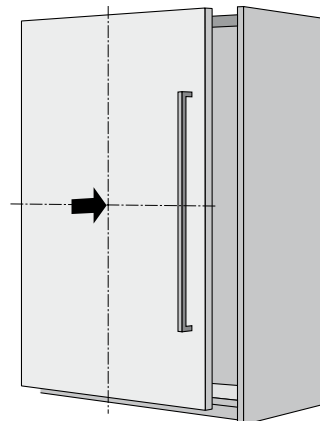
- Level 1: 2 kg
- Level 2: 3 kg
- Level 3: 4 kg



Horizontal safety test

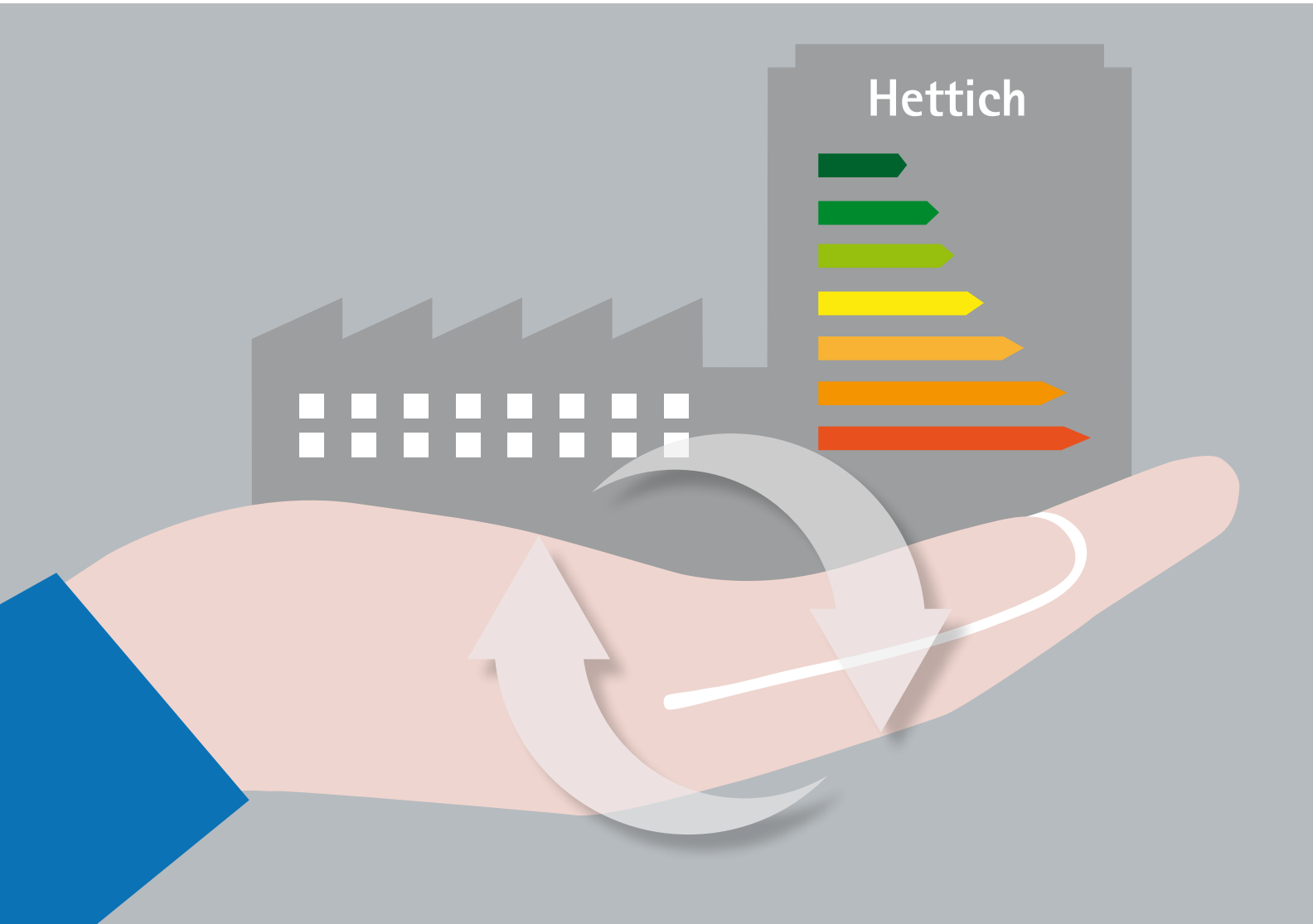
Pressure is applied to the middle of the door with a defined force. The door must not become detached or fall out of the carcass.

- Level 1: 150 N
- Level 2: 200 N
- Level 3: 250 N



Order no.	Page	Order no.	Page	Order no.	Page	Order no.	Page
0 010 083	130	9 156 338	44	9 209 218	46	9 238 101	121
0 010 084	130	9 156 338	60	9 209 222	46	9 238 102	121
0 020 392	96	9 156 339	44	9 209 224	46	9 238 113	121
0 020 393	96	9 156 339	60	9 209 226	46	9 238 114	121
0 020 400	96	9 169 637	16	9 209 231	46	9 238 115	121
0 020 400	104	9 169 637	20	9 209 268	47	9 238 116	121
0 025 120	76	9 169 638	17	9 209 271	47	9 238 117	121
0 025 121	76	9 169 640	21	9 209 273	47	9 238 118	121
0 027 740	134	9 169 651	16	9 209 278	47	9 238 119	122
0 041 372	88	9 169 651	20	9 209 280	47	9 238 120	122
0 041 373	88	9 169 653	24	9 209 283	47	9 238 121	122
0 041 374	88	9 169 654	16	9 209 400	47	9 238 122	122
0 041 375	88	9 169 655	20	9 209 403	47	9 238 123	122
0 041 376	88	9 169 656	24	9 209 405	47	9 238 124	122
0 041 377	88	9 184 566	45	9 227 006	63	9 238 125	121
0 041 378	88	9 184 566	61	9 227 245	62		
0 041 379	88	9 186 075	27	9 227 246	62		
0 045 198	135	9 190 925	27	9 227 326	125		
0 045 315	104	9 199 769	17	9 229 240	63		
0 045 316	104	9 199 769	21	9 229 241	63		
0 052 095	124	9 199 769	25	9 229 243	63		
0 061 546	76	9 201 921	44	9 229 920	124		
0 066 900	76	9 201 921	60	9 236 605	124		
0 071 111	26	9 206 309	15	9 236 926	125		
0 071 117	26	9 206 309	19	9 237 039	126		
0 072 919	125	9 206 310	23	9 237 431	124		
0 079 013	130	9 206 311	15	9 237 431	124		
0 079 015	130	9 206 311	19	9 237 432	124		
1 079 090	76	9 206 313	23	9 237 433	124		
9 002 063	125	9 206 483	14	9 237 434	124		
9 013 759	125	9 206 483	18	9 236 460	126		
9 079 526	88	9 206 483	22	9 236 461	126		
9 115 216	63	9 206 500	14	9 237 479	123		
9 115 216	76	9 206 500	18	9 237 480	123		
9 115 217	74	9 206 500	22	9 237 484	123		
9 115 218	76	9 206 502	14	9 237 488	123		
9 115 219	74	9 206 502	18	9 237 492	123		
9 115 954	74	9 206 502	22	9 237 493	123		
9 115 955	74	9 206 505	18	9 237 494	123		
9 118 477	75	9 206 505	22	9 237 495	123		
9 119 584	75	9 206 506	14	9 237 710	126		
9 119 585	75	9 206 506	22	9 237 711	126		
9 119 586	75	9 206 508	15	9 237 758	126		
9 119 587	75	9 206 508	19	9 238 051	121		
9 136 109	75	9 206 508	23	9 238 052	121		
9 140 438	24	9 209 166	46	9 238 053	121		

We are improving our environmental performance – as proven by EMAS, the world's most stringent environmental management system.



Our corporate principles include taking responsibility for preserving the natural basis of life. This is where we regard statutory provisions as minimum requirements. Over and above meeting statutory requirements, it is imperative for all members of staff to act in a way that conserves energy and resources in their own particular work environment in order to overcome the global ecological challenges of the near future. In the same way, using energy and resources efficiently also plays a key part in maintaining our competitive edge.

The group wide Environmental Department was established back in 1992, with its sustainability principles of environmental protection and occupational health and safety having consistently set the framework for leading the company group forward in this direction since 1993. Introduced in 1996, the environmental management systems complying with the European EMAS Regulation (Eco Management and Audit Scheme), including ISO 14.001, are of central impor-

tance in this context. These implemented a targeted approach to identifying and realising the potentials for using energy and resources in an efficient manner as well as to ensuring conformity with the law. The results are nothing short of impressive.

Environmentally friendly projects

Innovative projects are the mark of our approach to environmental management. For instance, the primary-energy requirement of our new production facilities is up to 75% below the specifications demanded in building legislation. The exemplary, consistent use of wood-based materials in constructing our commercial buildings puts us on the forefront of using resource-conserving, renewable building materials that take enormous quantities of climate-damaging CO₂ out of the atmosphere while they are growing.

Since 2015, we have been trying out three new vehicles, each employing different propulsion systems, to test the



practical suitability of electric mobility in a variety of usage situations. At our Indian production plant, heavy metals are absorbed from concentrated waste water using an innovative method that involves living algae. At our factory in China, a solar-powered system provides staff accommodation and the canteen with hot water.

Numerous awards reflect our commitment to the environment. In 2009, the European Commission gave our zero-energy Hettich Forum building the Green Building Award at national level. In 2016, we won the sustainability prize from the East Westphalian Business Environment Foundation for an environment education project carried out over 20 years.

Success stories

Between 1997 and 2015, for example, we have managed to reduce environmental pollution from manufacturing our drawer runners and drawer systems at the Kirchlengern-Bünde production facility as follows:

- ▶ Specific water consumption 45%
- ▶ Specific power consumption 10%
- ▶ Specific heat consumption 73%
- ▶ Specific CO₂ emission 30%

Technik für Möbel



www.hettich.com

Hettich New Zealand
18 Barmac Place
East Tamaki, Auckland
Phone: (64)9274 47036
Free Phone: 0800 438 8424
Fax: (64) 9274 8177
Free Fax: 0800 737 847
sales_nz@hettich.co.nz
Order online: shop.hettich.com
Web: hettich.com

Technik für Möbel


Hettich