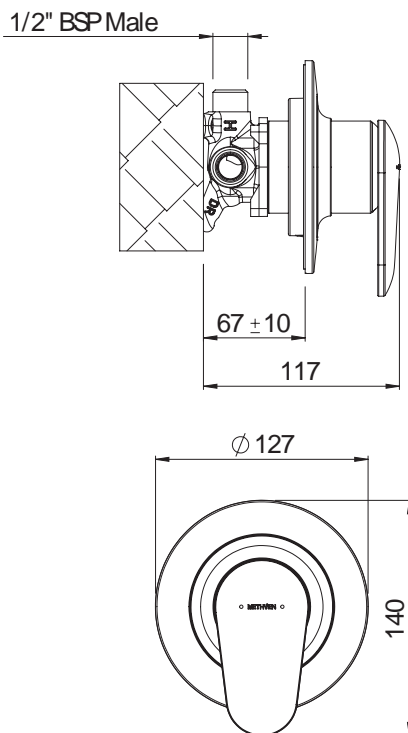


Fastflow® AIO SHOWER MIXER

Fastflow® technology delivers unrivalled performance on unequal pressure installations. It has been used and trusted by New Zealand plumbers for over 20 years.

Using precision engineered jets, Fastflow® ingeniously uses high pressure cold water velocity to draw the low pressure hot water through at an increased rate. This provides maximum water flow at the optimum temperature.



CARTRIDGE TYPE: Ceramic, Fastflow

CLASSIFICATION: Suitable for all pressure systems

INLET CONNECTIONS: 1/2" BSP

OUTLET CONNECTIONS: 1/2" BSP

WORKING PRESSURE EQUAL: 35 - 500kPa

WORKING PRESSURE UNEQUAL: 35 - 300kPa

OPERATING TEMPERATURE: 5 °C - 80 °C

- Ceramic cartridge
- Metal faceplate
- 20mm installation tolerance
- Includes fastflow®

AOAPSCP

Chrome

<http://www.methven.com/nz/aio-shower-mixer-fastflow>