

CBI 5113

March 2007

GIB Aqualine[®] Wet Area Systems





GIB Aqualine® Wet Area Systems Specification and Construction Guide

 Residential and non-residential applications.

 Bathrooms, laundries, toilets and kitchens.

GIB Aqualine® Wet Area Systems, March 2007

Winstone Wallboards Ltd accepts no liability if the GIB Aqualine® Wet Area System is not designed and installed in strict accordance with instructions contained in this publication.

Use only the Current Specification

This publication may be superseded by a new publication. Winstone Wallboards accepts no liability for reliance upon publications that have been superseded. Before proceeding, you should check that this is the current version of the publication. Simply call the GIB® Helpline on 0800 100 442 or visit www.gib.co.nz

Beware of Substitution

The performance of GIB® Systems is very sensitive to design detailing, product specifications and construction practices. All GIB® Systems have been developed specifically for New Zealand conditions and independently tested or assessed to ensure the required level of performance. Therefore for GIB® Systems

it is important to use only GIB® branded components where specified and closely follow the specified design details and construction practices, so you can be confident that the required level of performance and quality is achieved on site.

Customised Design Solutions

The systems detailed in this book should cover most common wet area situations. However, for projects where specific performance is necessary, GIB® Technical Services can assist you to develop customised solutions. Simply contact us through the GIB® Helpline on 0800 100 442.

This publication supersedes the following publication:

GIB Aqualine® Wet Area Systems, October 2002 (v2).



BRANZ Appraised
Appraisal No.427 [2007]

GIB Aqualine® Wet Area Systems, March 2007.



	Page
Introduction	3
This Publication	3
What is a Wet Area?	3
GIB Aqualine®	3-4
DESIGN	
Design Considerations	4
Appraisal	4
Compliance with the New Zealand Building Code (NZBC)	4-5
Limitations	5
Bracing in Wet Areas	5
New Zealand Building Code	6
Wall Surfaces in Areas Likely to be Splashed	6
Surfaces in Showers and Around Baths	6
Wall Surfaces Surrounding Cooktops	7
Penetrations and Sealants	7
Waterproof Membranes	7
Tiling	7
Flexible Sheet Vinyl – Showers and Other Wet Areas	8
Rigid Sheet Shower Linings	8
Renovations	8
Maintenance	8
Non-residential and Apartments	9
High-rise Apartments and Intertenancy	9
Office, Workplace and Schools	9
Healthcare and Hospitals	9
Public Amenities and Sports Clubs	9
FRAMING AND LINING INSTALLATION	
Non-tiled Walls – Timber Framing	10
Non-tiled Walls – Steel Framing	11
Tiled Walls	12
Ceilings	13
TYPICAL DETAILS	
Shower Over Bath – Tiled Walls	14-15
Shower Over Bath Acrylic Liner	16
Bath – Tiled Upstand	17
Shower – Tiled Walls and Base	18-19
Shower – Tiled Walls and Acrylic Base	20
Shower – Acrylic Liner and Base	21
Kitchen and Laundry	22
Office, Workplace or School Bathroom	23
Healthcare and Hospital Bathroom	24
Fire Rated and Noise Control	25
Reference Documents	26
Notes	26
Specification and Installation Checklist	27



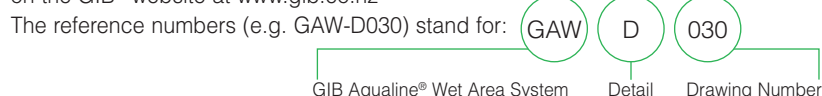
THIS PUBLICATION

This publication is not intended as the definitive guide on wet area construction and wet area systems, but rather as a helpful guide to best practice around areas where there is intermittent water exposure and splash zones within residential and non-residential buildings – in particular, areas covered by the New Zealand Building Code (NZBC), Clause E3 Internal Moisture. The information herein is designed to be helpful to designers, contractors and home-owners wishing to achieve a result that is easy to incorporate into modern design, simple and clear to construct, and that will satisfy the needs, requirements and expectations of both the NZBC and the end user.

Wet areas in the home often require relatively frequent and expensive renovation or repair, often because of the ingress of water to the structure of the building.

It is important to introduce materials and systems which have been specially designed to cope with the conditions that are common in wet areas, and to ensure they are installed correctly, using best practice, and are compatible to form a complete wet area system.

The code numbers shown with each “typical detail”, e.g. GAW-D030, match the code numbers for drawings available as downloads on the GIB® website at www.gib.co.nz



WHAT IS A WET AREA?

Generally, wet areas are described as spaces to where fresh water is reticulated, such as bathrooms, toilets, laundries and kitchens. Wet areas fall into two categories; these are well explained and documented in the NZBC, Clause E3.

1. Water splash areas – These are areas subject to intermittent splash of liquid water around sanitary fittings and appliances such as baths, vanities, laundry tubs, sinks, etc. These areas are required to have an impervious, easily cleaned surface.
2. Shower enclosures – These are areas subject to more frequent, larger quantities of water, and include shower enclosures and shower over bath areas. The NZBC E3/AS1 requires these areas to be impervious, and specifically excludes any paint and wallpaper finishes. Where ceramic tile or stone finishes are applied, E3/AS1 requires that they “shall be laid on a continuous impervious substrate or membrane”.

The requirements of these wet areas are described on page 6 of this publication and in full in Clause E3 of the NZBC. Clause E3 also refers to other requirements not covered in this publication, such as ventilation, condensation control and overflow management, which will require separate consideration. Ongoing maintenance of wet areas is also important to maximise the life of the wet area.

GIB AQUALINE®

Although able to cope with infrequent short-term exposure, standard gypsum plasterboard will have a shortened life expectancy when frequently exposed to water or moisture.

The NZBC does not call for water resistant linings in wet areas but it is highly desirable to incorporate lining materials which will maintain their integrity longer when exposed more frequently to water or steam and particularly to one-off events such as leakages or flooding of a room.

GIB Aqualine® is ideal in such situations because it features a water resistant wax polymer impregnated core.

Unlike other commonly used substrates, the GIB Aqualine® core not only resists penetration of water through the lining into the framing behind, but also resists water “wicking” up the core, a common cause of long-term damage where a water resistant lining has not been used.

GIB Aqualine® will maintain its integrity for extended periods, particularly where wicking over large areas can destroy the integrity of the interface between the lining and paint or wallpaper surfaces or between the lining and the tile adhesive.

The illustrations below graphically show the difference between GIB Aqualine® and standard plasterboard after a two-hour soak test in red dye.





Where to Use GIB Aqualine®

Though not required by NZBC, it is highly desirable to include GIB Aqualine® in all areas at risk of water or moisture damage, in order to prolong the life expectancy of that space.

They include:

	WALLS	CEILINGS
BATHROOMS	✓	✓
SHOWERS	✓	✓
LAUNDRY	✓	✓
KITCHEN	✓	
TOILET	✓	

Benefits

- Water resistant and durable to help protect against water damage
- Proven substrate for paint, wallpaper, tiles, sheet vinyl and rigid sheet shower linings with installations in over 300,000 bathrooms in New Zealand
- Suitable for both residential and non-residential applications
- Dimensionally stable, will not buckle or warp, hence an excellent substrate for ceramic tiles
- Conventional jointing methods
- Easy to cut and form openings
- Contains fibreglass and other additives for strength and fire resistance
- May be used in GIB® Bracing, GIB® Fire Rated and GIB® Noise Control Systems (see Compliance with the NZBC, Clauses B1, C3 and G6). Consult the appropriate GIB® literature for installation details
- Green face paper for ease of recognition.

Sheet Dimensions and Weights

SHEET DIMENSIONS (ALL SHEETS 1200mm WIDE AND TE/TE)		MAXIMUM WEIGHT/m ²
Thickness (mm)	Length (mm)	
10	2400, 2700, 3000, 3600	7.8kg
13	2400, 2700, 3000, 3600	10.2kg

Handling and Storage

- GIB Aqualine® must be stored under cover, stacked flat and clear of the floor with sufficient support to avoid sagging
- GIB Aqualine® must be handled as a finishing material.

APPRAISAL

The document entitled *GIB Aqualine® Wet Area Systems 2007* has been appraised by BRANZ, Appraisal Certificate, No. 427 (2007).

COMPLIANCE WITH THE NEW ZEALAND BUILDING CODE (NZBC)

Structure – Clause B1

The design and material specification for steel and timber framing used in GIB Aqualine® systems must be in accordance with the performance requirements of NZBC Clause B1 (Structure). See Bracing in Wet Areas on page 5.

Durability – Clause B2

When installed and maintained in accordance with this literature, GIB Aqualine® tiled or vinyl covered systems have a serviceable life of at least 15 years. They comply with the requirements of NZBC Clause B2 (Durability) for use in wet areas directly exposed to liquid water, e.g. showers, showers over baths and splash-backs.

When used as a general wet area lining and maintained under normal dry internal conditions, GIB Aqualine® systems have a serviceable life of at least 50 years and comply with NZBC Clause B2 (Durability) for use within toilets, kitchens, bathrooms and laundries not directly exposed to liquid water.

Spread of Fire – Clause C3

GIB® Fire Rated Systems provide passive fire protection in accordance with the requirements of NZBC Clause C3 (Spread of Fire). When GIB Aqualine® is substituted into fire rated systems in place of the equivalent thickness GIB Fyrelite®, the Fire Resistance Rating (FRR) of that system will be maintained.

COMPLIANCE WITH THE NEW ZEALAND BUILDING CODE (NZBC) *continued*

Internal Moisture – Clause E3

When installed in accordance with this literature, tiled or vinyl covered GIB Aqualine® systems may be used in areas directly exposed to liquid water, such as showers, to provide an impervious and easily cleaned wall surface. These systems comply with the requirements of NZBC Clause E3 (Internal Moisture).

Hazardous Building Materials – Clause F2

At no stage during handling, installation, or serviceable life does GIB Aqualine® constitute a health hazard. It therefore meets the provisions of NZBC Clause F2 (Hazardous Building Materials). Dust resulting from the sanding of stopping compounds may be a respiratory irritant and the use of a suitable facemask is recommended.

Ventilation – Clause G4

NZBC Clause G4 (Ventilation) requires buildings to have a means of collecting or otherwise removing steam generated from laundering, utensil washing, bathing or showering. To prolong the life of interior linings and surface finishes and to minimise the risk of moisture related problems such as condensation and mould growth, adequate heating and mechanical ventilation must be provided in kitchens, bathrooms and laundries.

Airborne and Impact Sound – Clause G6

GIB® Noise Control Systems can be used to provide ratings for Sound Transmission Class (STC) and Impact Insulation Class (IIC) in accordance with the requirements of NZBC Clause G6 (Airborne and Impact Sound). When GIB Aqualine® is substituted into GIB® Noise Control systems in place of the equivalent thickness GIB® Standard plasterboard or GIB Fyrelite®, the STC and IIC rating of that system will be maintained. When GIB Aqualine® is substituted in place of the equivalent thickness GIB Noiseline®, a small performance loss may occur. For further information contact the GIB® Helpline 0800 100 442.

LIMITATIONS

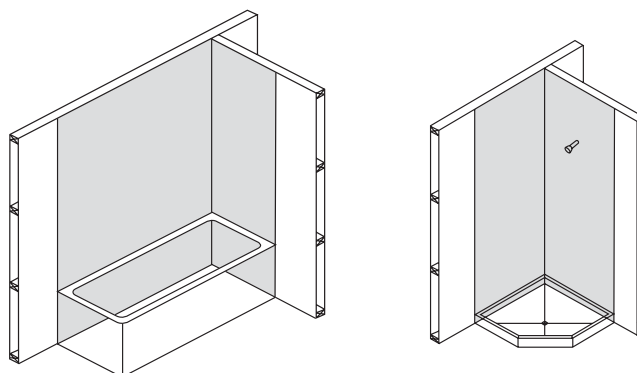
- GIB Aqualine® must not be used for bracing purposes in shower cubicles or above baths (see Bracing in Wet Areas below)
- Do not use GIB Aqualine® where it may be exposed for extended periods to humidities of 90% RH and above. Such areas include group shower or steam rooms as well as moisture and chlorine rich environments such as indoor swimming pools
- GIB Aqualine® must not be directly applied to solid plaster (gypsum or cement), wood based sheet linings or similar materials, masonry or concrete. GIB Aqualine® may only be applied to these materials where timber strapping or steel furring channels are installed
- GIB Aqualine® must not be installed over a vapour barrier or a wall acting as a vapour barrier
- Cracked or damaged sheets must never be used
- GIB Aqualine® must not be used in external applications
- GIB® plasterboard must not be exposed to temperatures in excess of 52°C for prolonged periods. Heat-generating devices may include halogen lighting, cooking elements, radiant heating, solid fuel exhausts and fire surrounds. Consult the appliance manufacturer for installation details.

BRACING IN WET AREAS

Bracing elements are required to have a durability of 50 years. GIB® bracing elements are not to be located in shower cubicles or behind baths because of durability requirements, the likelihood of renovation, and practical issues associated with fixing bracing elements to perimeter framing members.

Otherwise, GIB® Bracing Systems can be used in water-splash areas as defined by NZBC Clause E3/AS1, provided these are maintained impervious for the life of the building.

GIB Aqualine® can be used in place of GIB® Standard plasterboard in GIB® bracing elements. GIB Aqualine® can be used in place of GIB Braceline® in GIB® bracing elements 900mm or longer, provided the perimeter of the element is fixed with GIB Braceline® Nails or GIB Braceline® screws at 100mm centres, using the GIB Braceline® corner fixing pattern.



No bracing in the shaded areas.



NEW ZEALAND BUILDING CODE

E3.3.4 requires impervious and easily cleaned surfaces to all surfaces adjacent to sanitary fixtures or laundering facilities.

E3.3.5 requires that surfaces of building elements likely to be splashed or contaminated in the course of the intended use of the building must also be impervious and easily cleaned.

E3.3.6 requires that surfaces of building elements likely to be splashed must be constructed in a way that prevents water from penetrating behind linings or into concealed spaces (e.g. wall cavities).

Walls in wet areas therefore need to be addressed according to whether they fall within the scope of one of the following descriptions:

1. Wall surface likely to be splashed
2. Shower walls. Although not a requirement of NZBC it is highly recommended that the wall surfaces within 150mm of the top edge of a bath, and the vertical faces immediately under the edge of a bath, are treated in the same way as for a shower wall.

WALL SURFACES IN AREAS LIKELY TO BE SPLASHED

Suitable linings include:

- a. Integrally waterproof sheet material (e.g. polyvinylchloride) with sealed joints
- b. Ceramic or stone tiles having 6% maximum water absorption, waterproof grouted joints, and bedded with an adhesive specified by the tile manufacturer as being suitable for the tiles, substrate material and the environment of use
- c. Cement based solid plaster or concrete having a steel trowel or polished finish (semi-gloss or gloss paint must be used if a paint finish is required)
- d. Cork tile or sheet sealed with waterproof applied coatings
- e. Monolithic applied coatings having a polished, non-absorbent finish (e.g. terrazzo)
- f. Sheet linings finished with vinyl coated wallpaper, or semi-gloss or gloss coating
- g. Water resistant sheet linings finished with decorative high pressure laminate or factory applied polyurethane or resin
- h. Modular or multiple lining units which are themselves *impervious* and easily cleaned, and are installed with *impervious* joints
- i. Timber or timber-based products such as particleboard sealed with waterproof applied coatings.

NB: Floor surfaces and floor/wall junctions are required by E3 to be impervious.

SURFACES IN SHOWERS AND AROUND BATHS

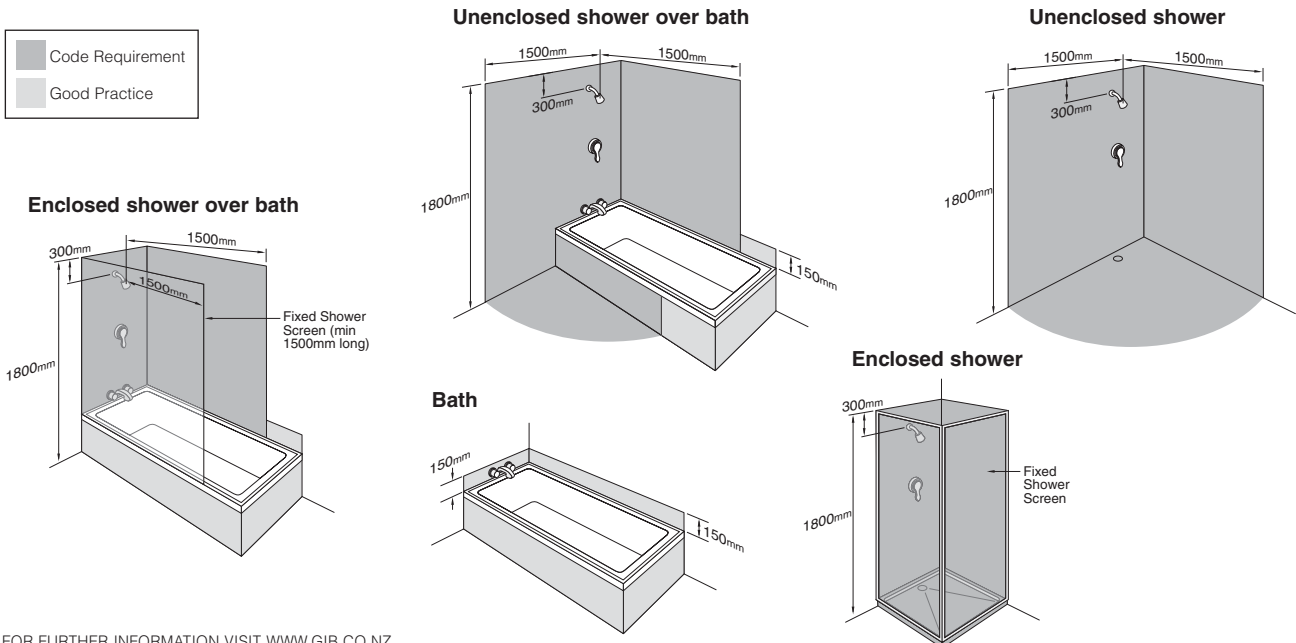
Suitable linings include all of the above, but **NOT including items (d) and (f) from the above list.**

Note that a waterproof membrane complying with AS/NZS 4858: 2004 **MUST** be applied to all lining materials used under ceramic tiles in these areas.

The waterproof membrane must extend to a 1500mm horizontal radius from a shower rose unless the shower is contained within a fixed enclosure. A shower curtain does not constitute a fixed enclosure.

Particleboard manufacturers recommend that in wet areas, panels should be protected with a suitable wet area membrane or an integrally waterproof sheet material. Some local authorities call for this treatment on all timber based floors. Local requirements should be checked before proceeding.

Dark grey shaded areas in the diagrams below represent the minimum extent of wall surfaces requiring impervious sheet materials or waterproof membranes prior to tiling. Light grey shaded areas represent good practice.



WALL SURFACES SURROUNDING COOKTOPS

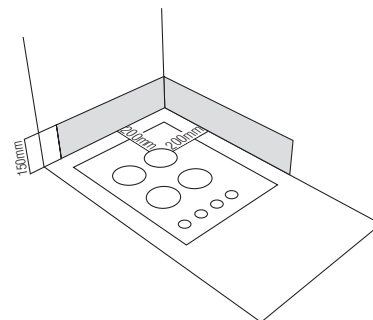
The protection of combustible surfaces surrounding gas cooking appliances is covered by NZS 5261. Consult the current version of this standard to ensure compliance.

However, as a guide the following options are acceptable for wall surfaces within 200mm of the periphery of a gas element to a height of 150mm above the element for the full dimension (width and depth) of the cooktop surface area:

- 5mm ceramic tiles on GIB® plasterboard
- 5mm toughened glass on GIB® plasterboard
- or any system that can be demonstrated to meet the requirements of Clause 2.6.2.6 of NZS5261.

Because of the moisture generated by cooking, it is highly recommended that GIB Aqualine® is used in kitchen areas.

GIB® plasterboard products must not be exposed to temperatures in excess of 52°C for sustained periods. Check with the appliance manufacturer that this requirement will be met. However, it would be unusual for surfaces outside 200mm to exceed 52°C for sustained periods.



PENETRATIONS AND SEALANTS

As leaks and water ingress typically occur at junctions between building elements and at penetrations, it is essential that particular attention is given to these details at the time of installation. Lack of attention to detail can result in water damage that could remain undetected for a long time.

- Ensure that all cut-outs for pipe penetrations are made neatly, and slightly oversize, with a hole saw. These penetrations should be of a diameter no more than 12mm greater than that of the pipe
- Sealants should be of a mould inhibiting type and be neutral cure. Neutral cure silicones will generally meet these requirements
- Surfaces should be dry and free from dust before application, a minimum of a 4mm joint width provided and the depth should not exceed the width
- Gun a bead of silicone sealant to the full depth of the GIB Aqualine® in the following locations:
 - Around all tap/pipe bodies
 - The gap between the bath rim and the bottom edge of the GIB Aqualine®
 - Between the upstand of preformed shower bases and the bottom edge of the lining
 - Where an impervious junction is required at the floor/wall line, carefully seal the gap between the bottom edge of the board and the finished floor. Leave a 5-10mm gap at the bottom of the GIB Aqualine® wall lining for this purpose, ensuring the gap is free from dirt and dust
- Do not locate shower heads or taps on fire rated or intertenancy walls. Should this be unavoidable then refer to the publication *Penetrations in GIB® Fire Rated Systems*. Always use tested and approved proprietary solutions.

WATERPROOF MEMBRANES

- A waterproof membrane must be applied to **all** lining materials used as a substrate for ceramic tiles in a shower or shower over bath situation
- The wall surface in a shower or shower over bath situation is not complete and ready for tiling until coated with a waterproof membrane over the lining and the jointed areas shown shaded on page 6
- Only in-situ waterproofing materials which are manufactured to AS/NZS 4858:2004 "Wet Area Membranes" are recommended and applied to manufacturer's recommendations. Typically, these types of membranes are not suitable for paint and wallpaper finishes
- Waterproof membranes must be fully cured and dry prior to application of tiling adhesives
- Embed reinforcing mats in the membrane at all internal corners of the shower (including floor/wall junctions)
- Preformed sheet membranes are also available and may be more suitable where curing times or specialist skills are an issue
- The details shown in this technical literature are generic in nature. For accurate detailing, follow the specifications provided by the supplier of the proprietary waterproof membrane.

TILING

GIB Aqualine® is suitable as a substrate for tiling up to the following weights:

- 10mm GIB Aqualine® up to 20kg/m²
- 13mm GIB Aqualine® up to 32kg/m².

Note: Most ceramic and porcelain tiles weigh less than 20kg/m².

For further information on tiling consult the BRANZ *Good Practice Guide – Tiling*.



FLEXIBLE SHEET VINYL – SHOWERS AND OTHER WET AREAS

- GIB Aqualine® is a suitable substrate for flexible vinyl wall finishes in wet areas of residential, commercial or institutional buildings
- Framing requirements and installation procedures for the GIB Aqualine® substrate shall be as per page 10 or 11, except that the lining gap at the floor should be reduced to 5mm when a pencil cove detail is used
- The installation of galvanised steel reinforcing angles (32 x 32 x 0.55mm) behind internal GIB Aqualine® corners is recommended for sheet vinyl applications in showers or shower over bath situations (see illustration page 14)
- The GIB Aqualine® lining must be jointed and stopped to a paint quality finish (Level 4) – trowel marks can telegraph through even a commercial grade 2mm vinyl
- A commercial grade vinyl is recommended for the wall finish in commercial or institutional bathrooms and showers
- In areas directly exposed to liquid water, all joints in flexible sheet vinyl must be heat welded
- Installation of the flexible vinyl must be carried out strictly in accordance with the specifications provided by the suppliers/manufacturers of the vinyl.

RIGID SHEET SHOWER LININGS

- The manufacturers/suppliers of thin (usually 2-3mm) and rigid acrylic shower linings commonly recommend direct adhesive fixing to wall linings using solvent-based adhesives
- Water temperature changes will cause movement of the thin acrylic sheet, which in turn will stress the adhesive and wall lining substrate
- **Do not preseal or paint** areas which are to be covered by the rigid shower linings
- The wall surface must be free of dust before installation of the lining
- Suppliers of rigid sheet acrylic shower linings recommend a minimum of 24 hours for the adhesive to cure fully prior to the shower being put into service
- Care must be taken to ensure that rooms are adequately ventilated and the adhesive is fully cured before the shower is used
- Consult the manufacturer/supplier of the shower lining for full installation details.

RENOVATIONS

Bathrooms, kitchens and laundries are the most renovated rooms in the house, partly due to fashion considerations and partly because of damage sustained by ingress of water and moisture within those spaces.

In most cases when renovating these rooms it is often easier and more cost-effective to remove the existing linings and replace them with GIB Aqualine®. This allows for a completely new start in the room and offers sound substrates for new surfaces such as tiling and painting, where otherwise flaking paint or damaged plasterboard may compromise good and sound finish or practice. At the very least re-lining will:

- Allow for inspection of framing where damage may have occurred and provide the opportunity to repair such damage
- Allow plumbing and electrics to be checked and altered or replaced where required
- Provide the opportunity to install thermal and acoustic insulation and water resistant linings where appropriate
- Make the job easier.

MAINTENANCE

Lack of maintenance is frequently the cause of premature and often very expensive failure of components and building elements within wet areas.

It is important to regularly inspect and repair any potential problem before it becomes a major problem and expensive to reinstate. Good maintenance should include:

- Ongoing ventilation. At the very least, good passive ventilation (e.g. window vents); but good active ventilation (e.g. extraction fans) of an appropriate size for the room is recommended
- Impervious coatings and surfaces should be checked for wear and damage and maintained and recoated before ingress of water to the substrate occurs
- Regular cleaning with appropriate cleaners so that build-up of matter, such as mould, is well controlled
- Sealants at junctions and penetrations should be checked for adhesion on a regular basis and replaced where adhesion failure to substrates occurs
- Where pipe leaks have become evident, however small, they should be repaired promptly and any area around such leaks dried out completely before any other repairs are carried out.



High-rise and commercial wet areas can generally be divided into four separate categories:

HIGH-RISE APARTMENTS AND INTERTENANCY

Wet areas in apartment complexes are generally covered by Clause E3 of the NZBC and will have the same requirements as shown for residential applications. However, apartment buildings will also involve intertenancy walls requiring noise control and fire resistance.

Generally, noise control and fire resistance are the first consideration and then the water resistance is added to those systems.

For noise control, GIB Aqualine® can substitute for the equivalent thickness GIB® Standard plasterboard or GIB Fyrelite®.

For fire resistance, GIB Aqualine® can substitute for GIB Fyrelite® of equivalent thickness.

In all cases the prescribed noise control or fire resistance system specifications must be followed completely as presented in the GIB® publications *GIB® Noise Control Systems* and *GIB® Fire Rated Systems*.

Refer to typical details on page 25.

The NZBC for intertenancy calls for special consideration to be given to preventing water from travelling from one tenancy to another. This calls for a waterproof membrane to all wet area floors with upstands to walls and the inclusion of floor wastes.

It is important to avoid penetrations such as taps, shower roses, etc. in intertenancy walls as this will compromise fire and noise ratings.

OFFICE, WORKPLACE AND SCHOOLS

These wet areas are generally no different in requirements to those shown in this publication or those of high-rise apartments, and are treated in the same manner.

As there is often a higher impact requirement in commercial applications, 13mm GIB Aqualine® is the minimum thickness recommended.

These areas are often finished in sheet vinyl or ceramic tiles and GIB Aqualine® is an ideal substrate, particularly in the case of sheet vinyl where a high quality finish is required to minimise telegraphing of imperfections in the substrate.

HEALTHCARE AND HOSPITALS

This industry will generally have special requirements for wet areas. GIB Aqualine® will generally satisfy specific design needs in healthcare facilities and in particular is an ideal substrate for the preferred finish of sheet vinyl.

PUBLIC AMENITIES AND SPORTS CLUBS

Public amenities and sports clubs often have a high demand for impact resistance, therefore 13mm GIB Aqualine® should be used, and suitable impact resistant wall coverings considered, such as heavy duty sheet vinyl or ceramic tiles over waterproof membrane to 1200mm high.

Also full consideration should be given to the usage of the amenity and whether high pressure or chemical cleaners will be used or if the amenity may be subject to vandalism.

Because of extreme humidity and presence of chemicals, GIB Aqualine® is not suitable for enclosed swimming pool areas.

Contact the GIB® Helpline on 0800 100 442 for further assistance.



If bracing, noise control or fire rating considerations exist, consult the relevant GIB® technical publication, e.g. *GIB® Fire Rated Systems*, *GIB® Noise Control Systems*, *GIB® Bracing Systems*, for the appropriate information.

Wall Framing

Framing dimensions must comply with the requirements of NZS 3604:1999.

- The moisture content of timber framing shall be 18% or less at the time of lining
- Studs shall be spaced at 600mm centres maximum for both 10mm and 13mm GIB® plasterboard
- Nogs to be evenly spaced with a maximum spacing of 1350mm. Alternatively, nogs may be staggered 150mm maximum either side of a horizontal joint line
- Nogs are not required behind horizontal joints except in shower situations or specific fire or noise control systems.

Fasteners

- 10mm GIB Aqualine® – minimum 25mm x 6g GIB® Grabber® High Thread Drywall Screws or 30mm x 2.8mm GIB® Nails
- 13mm GIB Aqualine® – minimum 32mm x 6g GIB® Grabber® High Thread Drywall Screws or 30mm x 2.8mm GIB® Nails.

Fastener Centres

- 300mm centres to top and bottom plates and to perimeter studs
- Single fasteners to each stud where the horizontal joint crosses the studs
- Place fasteners 12mm from sheet edges
- Daubs of GIBFix® adhesive at 300mm centres to intermediate studs
- Do not place adhesive at sheet edges or under fasteners. Sheet edges at door or window openings can be adhesive fixed unless forming part of the perimeter of a bracing element.

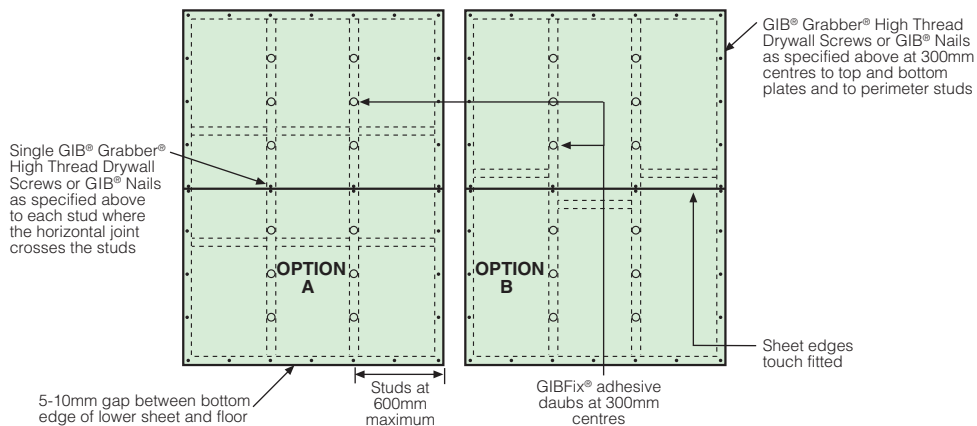
Lining

- Install the sheets leaving a 5-10mm gap at the floor line to allow for movement of the framing members and to allow for cleaning dirt and rubbish before sealing
- Sheets to be touch fitted.

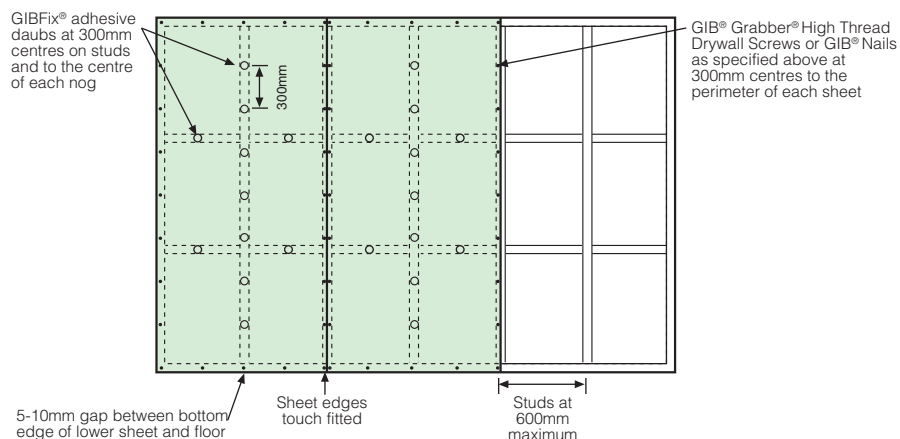
Jointing

- Jointing shall be carried out in accordance with the instructions in the *GIB® Site Guide*; GIB® AquaMix is recommended for the first two coats.

Fastening the Linings – Horizontal Fixing Only



Fastening the Linings – Vertical Fixing Only





The minimum sheet thickness for fixing on light gauge steel framing is 13mm GIB® plasterboard.

Steel framing for residential construction is by specific design.

If noise control or fire rating considerations exist, consult the relevant GIB® technical publication (e.g. *GIB® Fire Rated Systems* or *GIB® Noise Control Systems*) for the appropriate information.

Wall Framing

- Steel stud dimensions to be minimum 63 x 34 x 0.55mm nominal with a 6mm return
- Steel channel dimensions to be minimum 63 x 30 x 0.55mm nominal
- Studs shall be spaced at 600mm centres maximum
- Ensure that the studs are placed with the open side facing in the same direction (see *GIB® Site Guide*).

Fasteners

- 25mm x 6g GIB® Grabber® Self Tapping Drywall Screws.

Fastener Centres

- 300mm centres to top and bottom channels and to end studs
- Single screws to each stud where the horizontal joint crosses the studs
- Place fasteners 12mm from sheet edges
- Daubs of GIBFix® All-Bond adhesive OR screws at 300mm centres to intermediate studs
- Do not place adhesive at sheet edges or under fasteners. Sheet edges at door or window openings can be adhesive fixed.

Lining

- Lay the sheets, leaving a 5-10mm gap at the floor line.

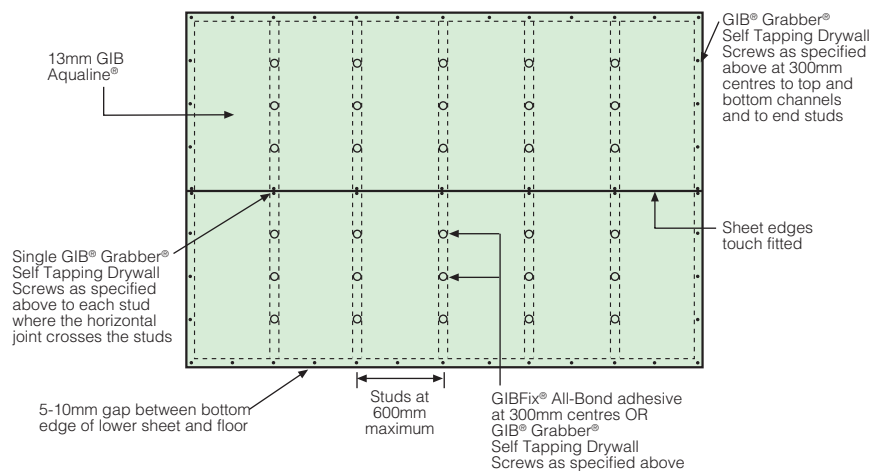
Note: If friction fitted steel studs have been used, sheets must be fitted hard to the floor. Ensure floor is cured and dry

- Sheets to be touch fitted.

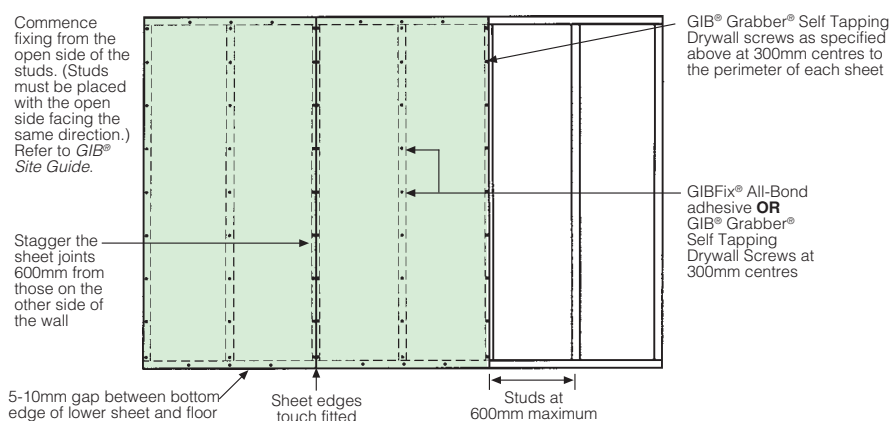
Jointing

- Jointing shall be carried out in accordance with the instructions in the *GIB® Site Guide*. GIB® AquaMix is recommended for the first two coats.

Fastening and Jointing the Linings – Horizontal Fixing



Fastening and Jointing the Linings – Vertical Fixing





Important: See page 6 and 7 for waterproof membrane requirements.

Wall Framing

Framing dimensions and spacing must comply with the requirements of NZS 3604:1999 or relevant NZ Standard.

- Prior to lining in tiled areas (shower cubicles and shower over bath only) the internal corners shall be reinforced with a minimum 32 x 32 x 0.55mm galvanised metal angle. Each side of the angle shall be fastened to the framing with 30mm galvanised clouts at 300mm centres
- Steel stud systems do not generally require nogs except as below:
 - Adjacent to each pipe penetration and behind sink and tub flashings
 - Between all studs above bath flanges and preformed shower bases
- For impact protection in shower cubicles or shower over bath situations it is important that all sheet joints are made on solid framing. This may require either vertical fixing of the GIB Aqualine® or the installation of some additional nogs.

Fasteners

- For 10mm GIB Aqualine® use minimum 25mm x 6g GIB® Grabber® Drywall Screws
- For 13mm GIB Aqualine® use minimum 32mm x 6g GIB® Grabber® Drywall Screws.

Fastener Centres

- GIB® Grabber® Drywall Screws at 100mm centres to perimeter of wall and to all intermediate studs
- Adhesive is not to be used in place of mechanical fastenings.

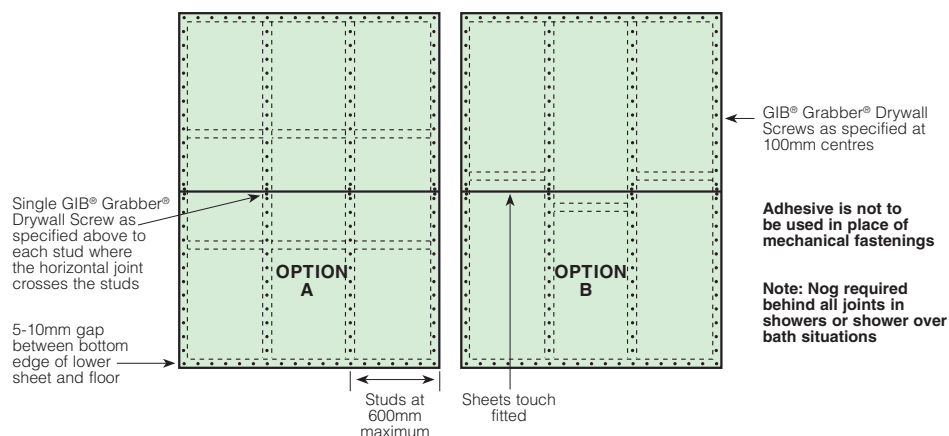
Lining

- 10mm or 13mm GIB Aqualine® is suitable for use on timber framing and for tile weights up to 20kg/m²
- 13mm GIB Aqualine® must be used for tile weights between 20 and 32kg/m² and when light steel framing has been used
- GIB Aqualine® may be fixed vertically or horizontally
- Provide a 5-10mm gap at the wall/floor junction
- Provide a 5-10mm gap between the bottom edge of the GIB Aqualine® and any bath rim or preformed shower base to allow for placement of sealant
- GIB Aqualine® sheets shall be touch fitted
- Where the framing or fastener centres required for tiled areas are closer than those specified for GIB® Fire Rated and GIB® Noise Control Systems, the tiling specification shall prevail. Where relevant, check that fastener lengths comply with the requirements of GIB® Fire Rated Systems or GIB® Noise Control Systems.

Jointing

- Jointing shall be carried out in accordance with instructions in the *GIB® Site Guide*
- Water resistant GIB® AquaMix is recommended for the first two coats
- No top coat is required.

Fastening the Linings – Horizontal Fixing in Tiled Areas



Note:

GIB Aqualine® is suitable for tiling to full height of walls, but if a wall is to be partially tiled (i.e. half high), only the area of wall under the tiles needs to be fixed as above. The remainder of the wall may be fixed as for non-tiled area (see page 10 & 11).



Ceiling Framing

Framing dimensions and spacing must comply with the requirements of NZS 3604:1999 or relevant NZ Standard. If bracing, noise control, fire rating considerations exist consult the relevant GIB® publication for appropriate information.

Fasteners

- Steel battens – 25mm x 6g GIB® Grabber® Self Tapping Drywall screws
- Timber battens or Joists – 32mm x 6g GIB® Grabber High Thread Drywall screws.

Adhesives

- Steel battens – GIBFix® All-Bond
- Timber battens – GIBFix® Wood Bond (not suitable for LOSP treated timber).

Fasteners Centres

- Single screws to the edges and centre of the sheets across each batten
- Screws to be 12mm from sheet edges
- Daubs of adhesive at 200mm centres between the screws
- Do not place adhesive at sheet edges or under fasteners, this may lead to screw or nail pops.

Lining

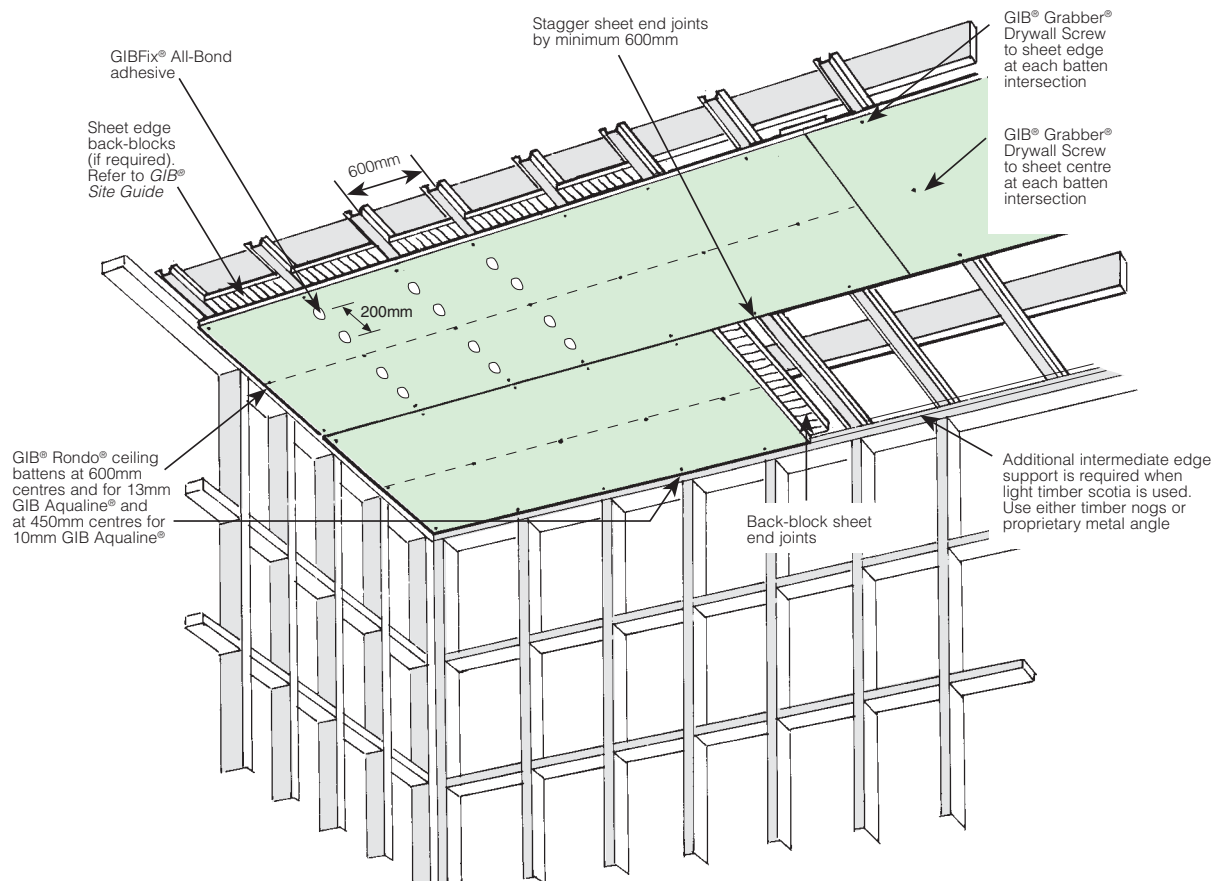
- The lining shall be fixed at right angles to the battens or joists
- Commence fixing from the centre of the sheets outwards
- Sheets to be touch fitted
- Use long length sheets to minimise sheet end butt joints
- Back-block sheet end butt joints
- See GIB® Site Guide for sheet edge backblocking requirements.

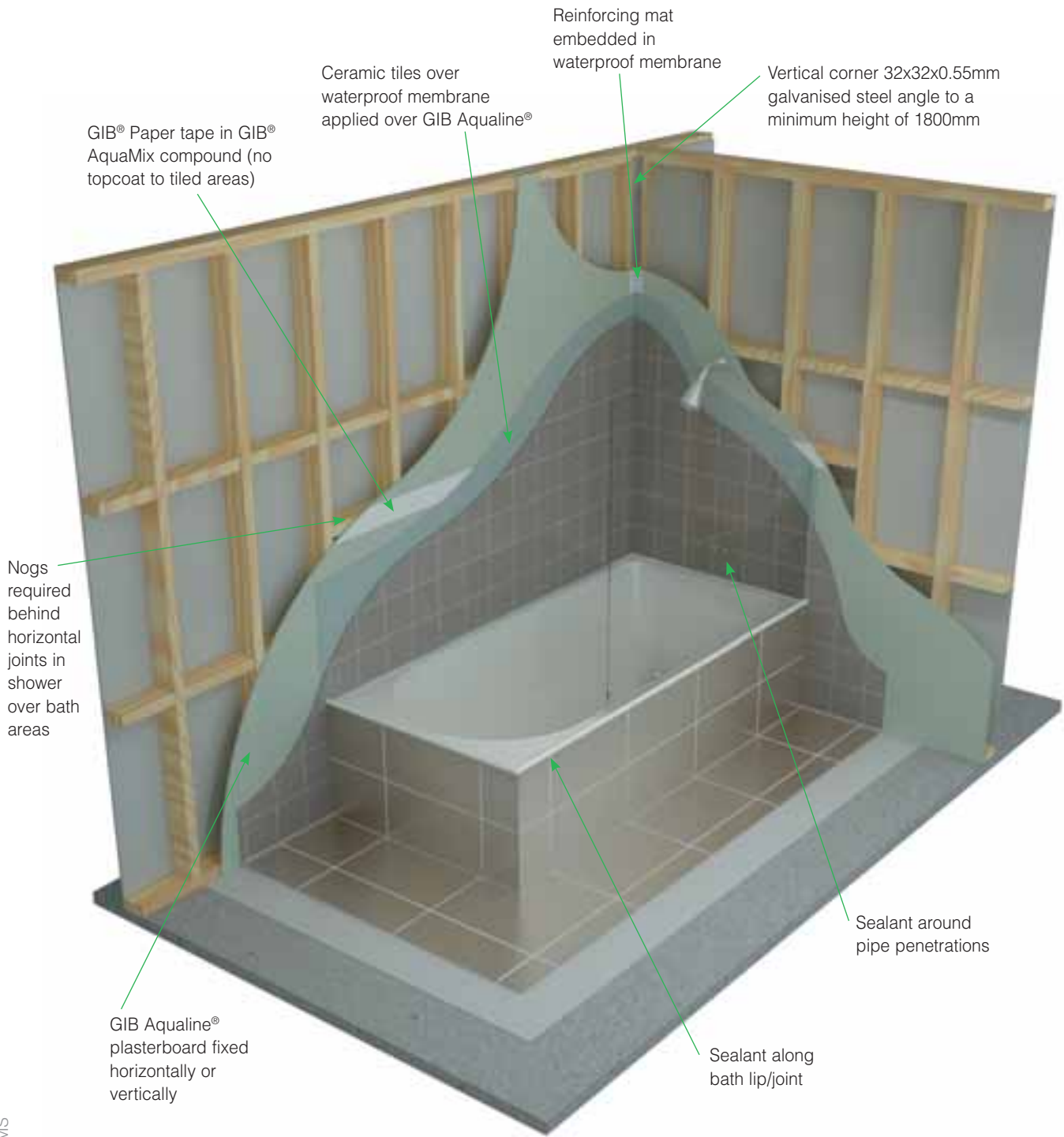
Batten Spacings

- 13mm GIB Aqualine® plasterboard – 600mm centres max
- 10mm GIB Aqualine® plasterboard – 450mm centres max.

Jointing

- All sheet joints must be paper tape reinforced and stopped in accordance with instructions in the *GIB® Site Guide*. Water resistant GIB® AquaMix is recommended for the first two coats.
- Do not fix tiles to GIB® plasterboard ceilings.

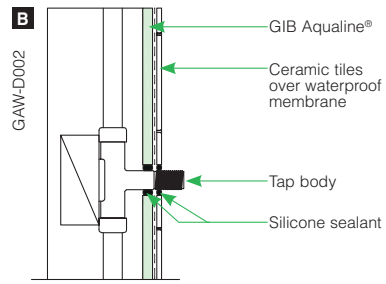
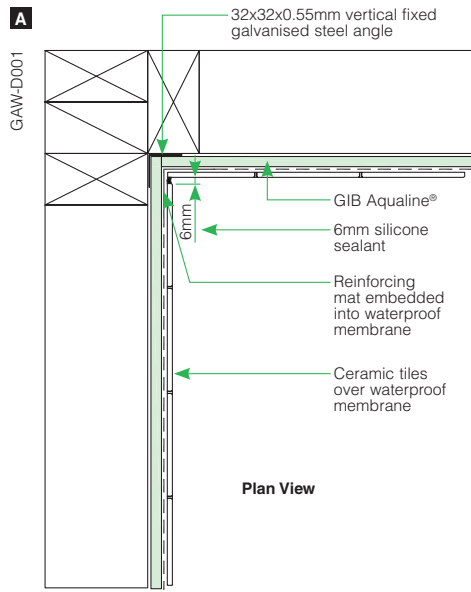




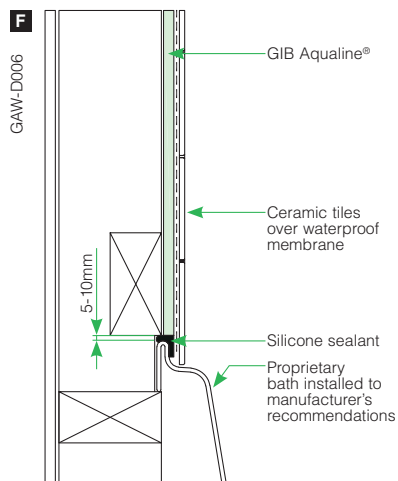
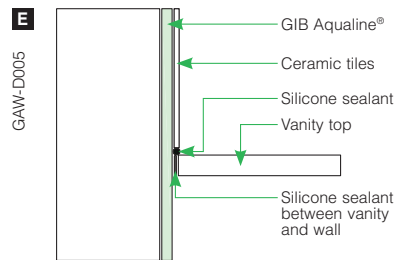
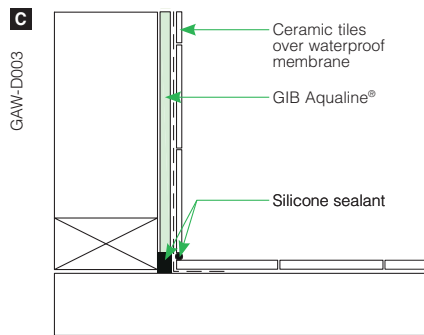
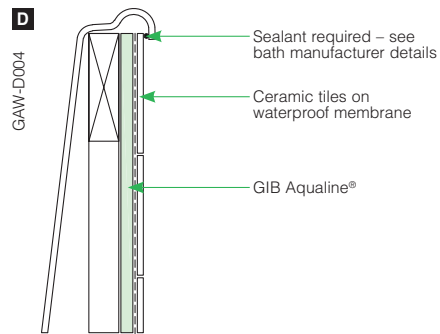
Run a bead of silicone sealant around the mixer unit on the tiles extending below the bottom of the pipe aperture.

For typical details, see the following pages.

Shower Over Bath – Tiled Walls MARCH 2007



Note:
Where impact noise from pipes is an issue, fix all pipes on resilient brackets.

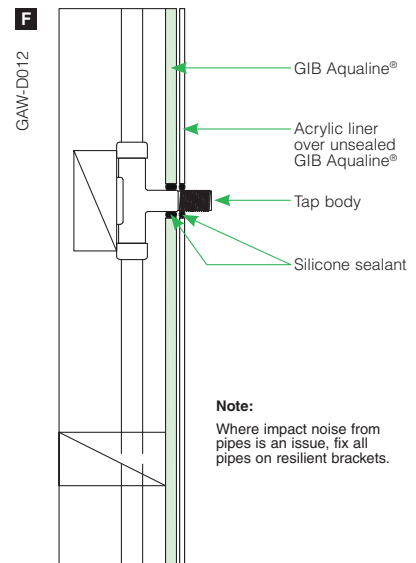
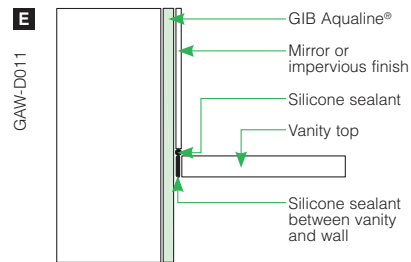
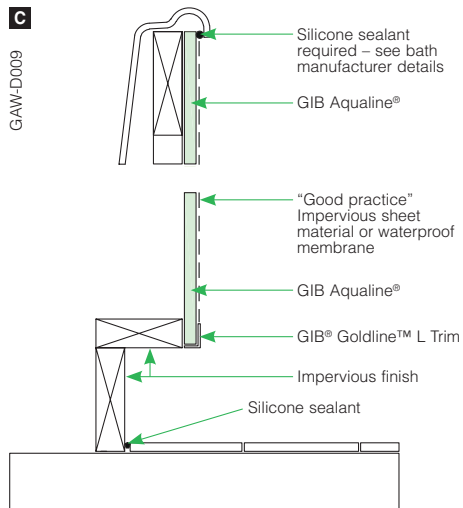
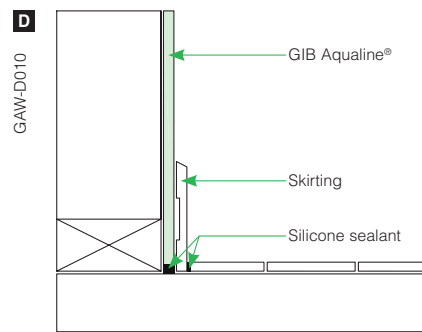
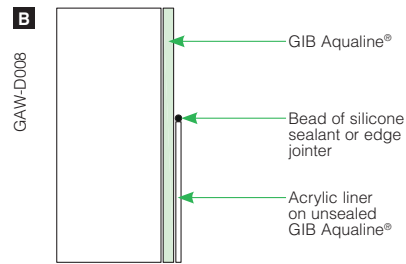
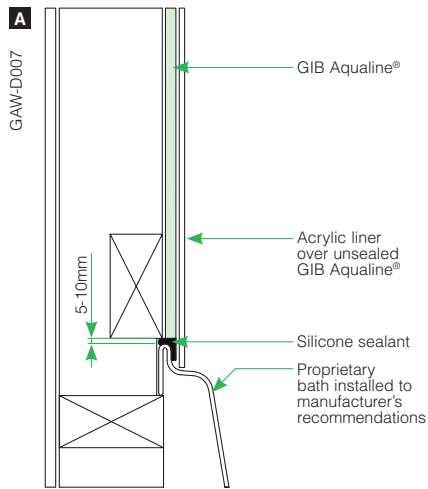


GIB AQUALINE® WET AREA SYSTEMS – TYPICAL DETAILS

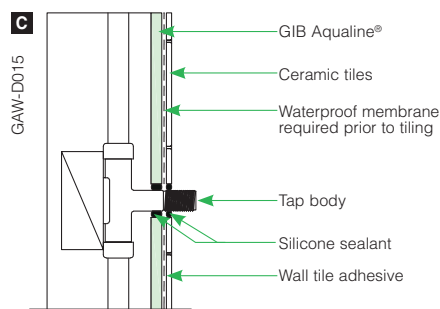
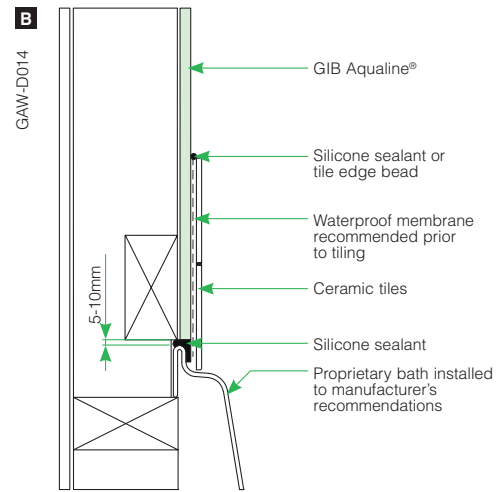
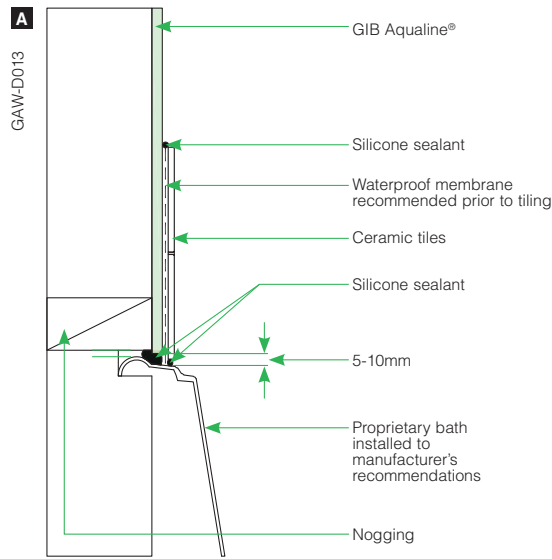
Shower Over Bath – Acrylic Liner



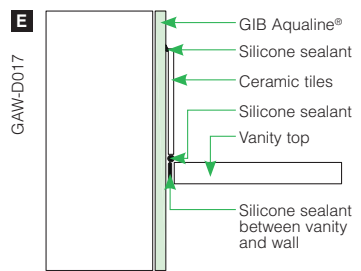
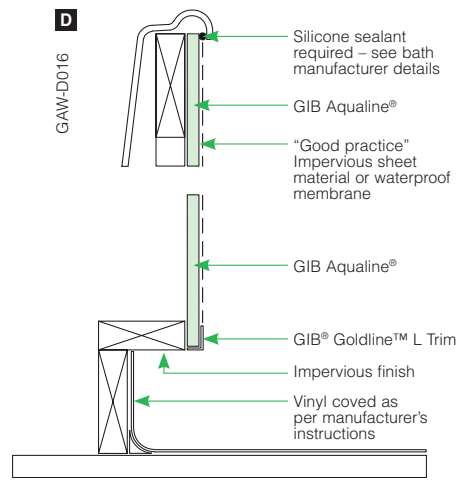
MARCH 2007



GIB AQUALINE® WET AREA SYSTEMS – TYPICAL DETAILS



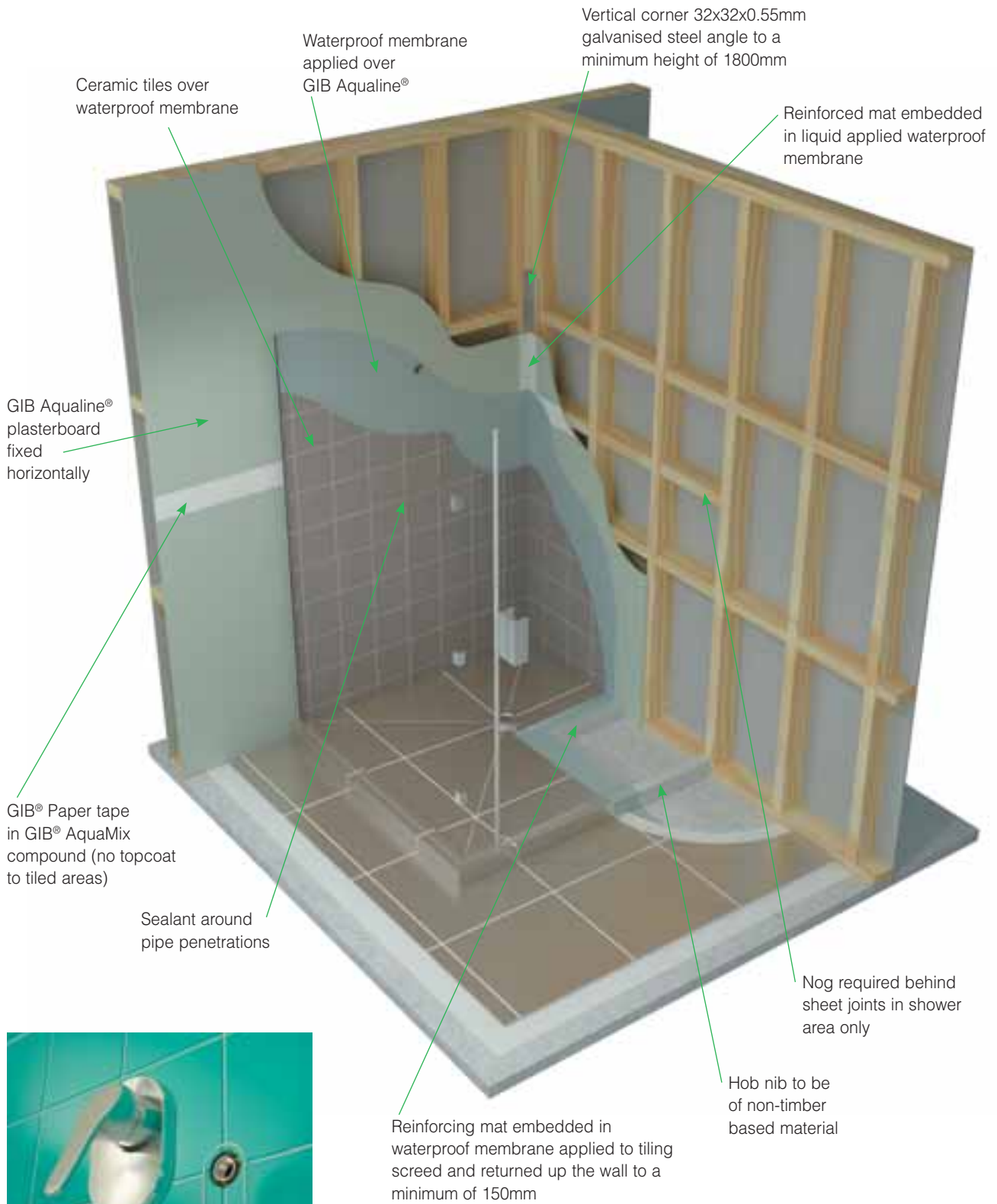
Note:
Where impact noise from pipes is an issue, fix all pipes on resilient brackets.





Shower – Tiled Walls and Base

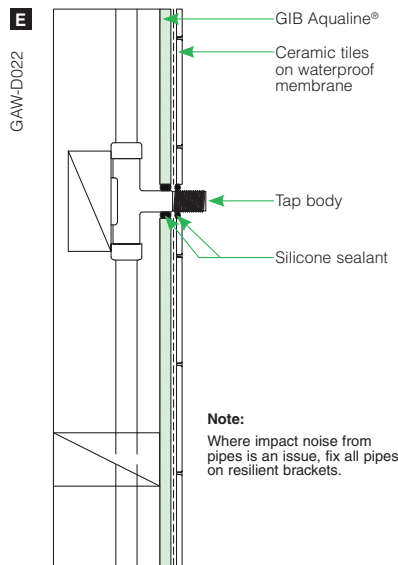
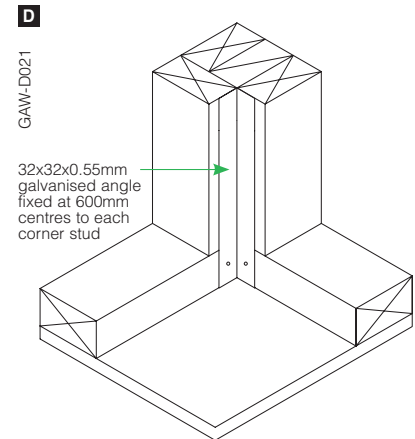
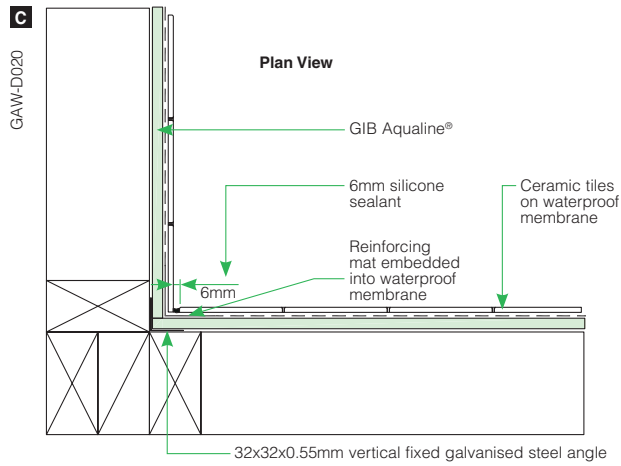
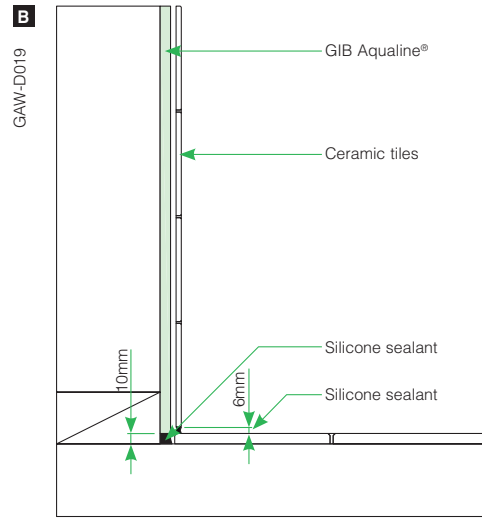
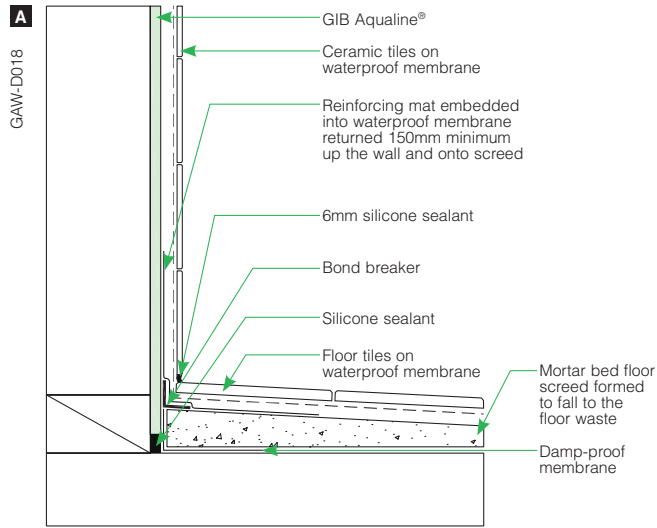
MARCH 2007



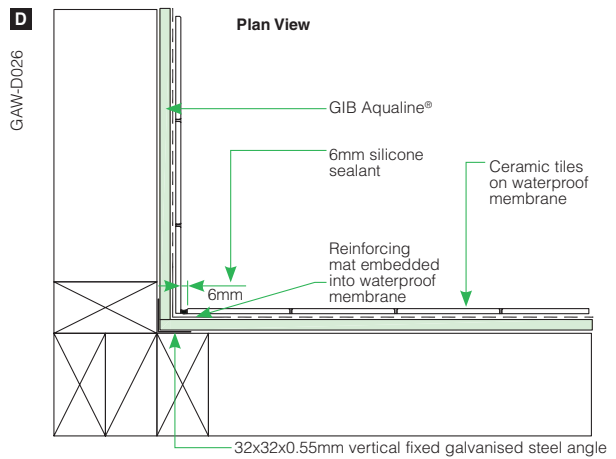
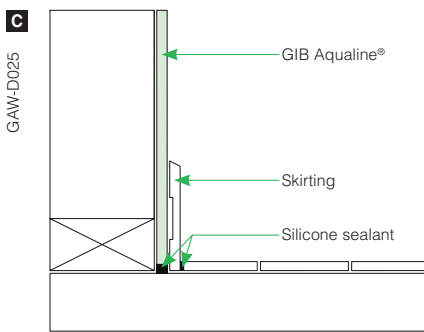
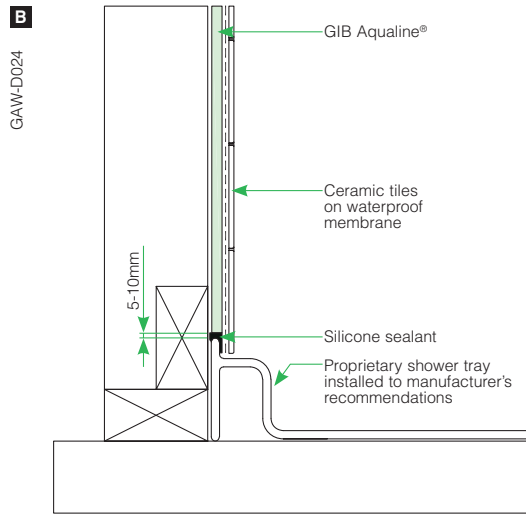
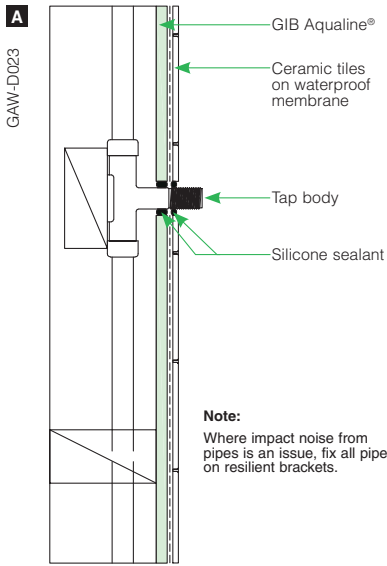
Run a bead of silicone sealant around the mixer unit on the tiles extending below the bottom of the pipe aperture.

For typical details, see the following pages.

GIB AQUALINE® WET AREA SYSTEMS – TYPICAL DETAILS



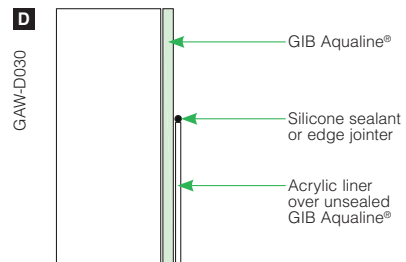
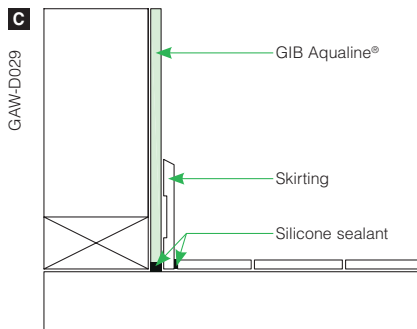
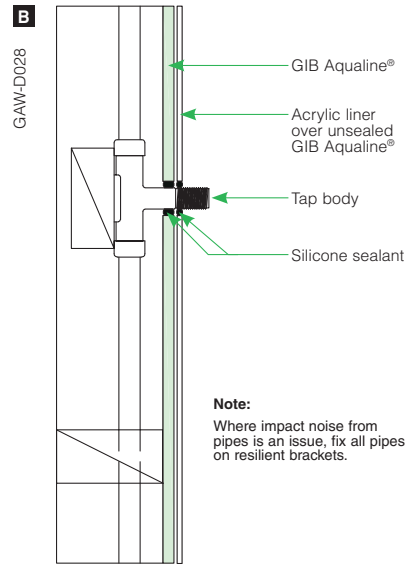
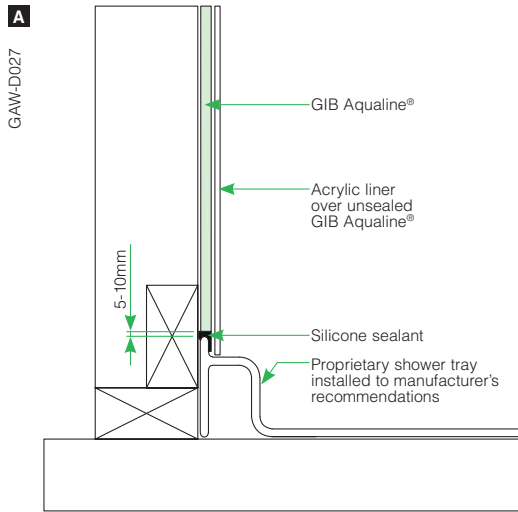
GIB Shower – Tiled Walls and Acrylic Base MARCH 2007



GIB AQUALINE® WET AREA SYSTEMS – TYPICAL DETAILS

GIB Shower – Acrylic Liner and Base

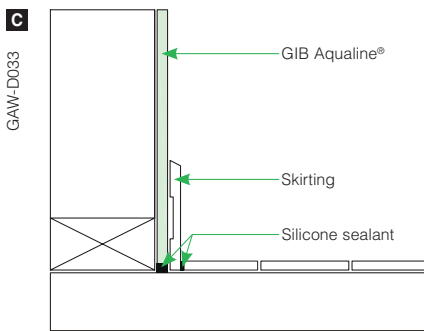
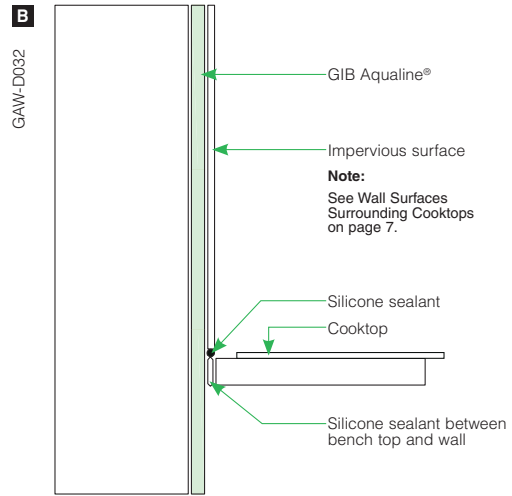
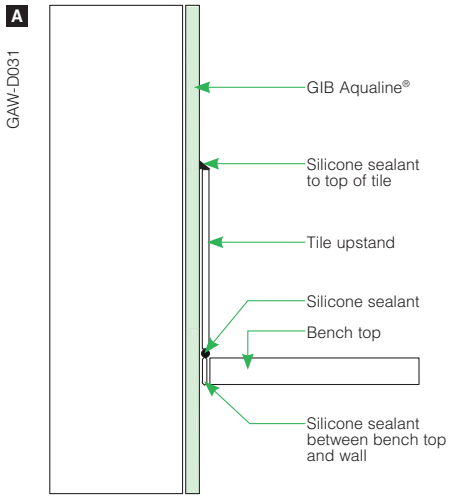
MARCH 2007



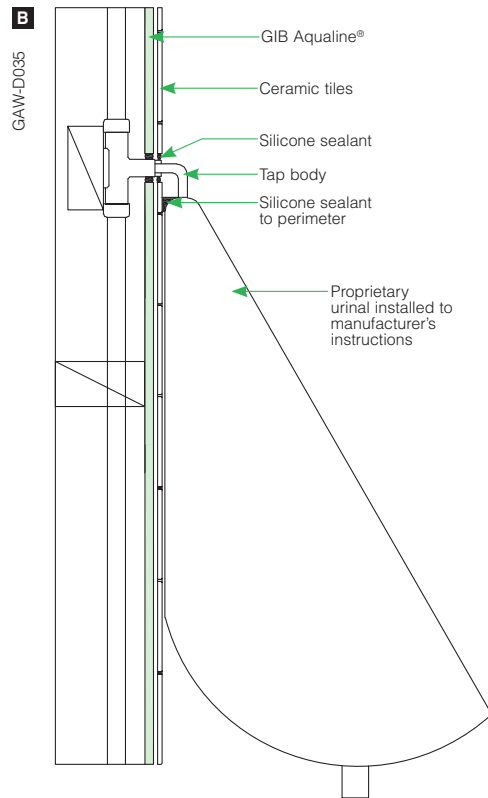
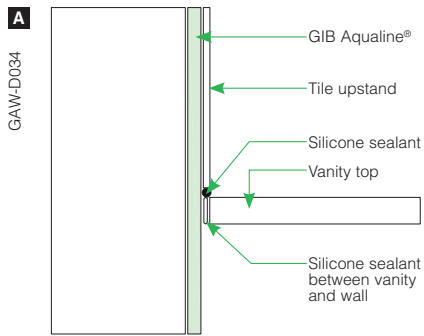
GIB AQUALINE® WET AREA SYSTEMS – TYPICAL DETAILS

GIB Kitchen and Laundry

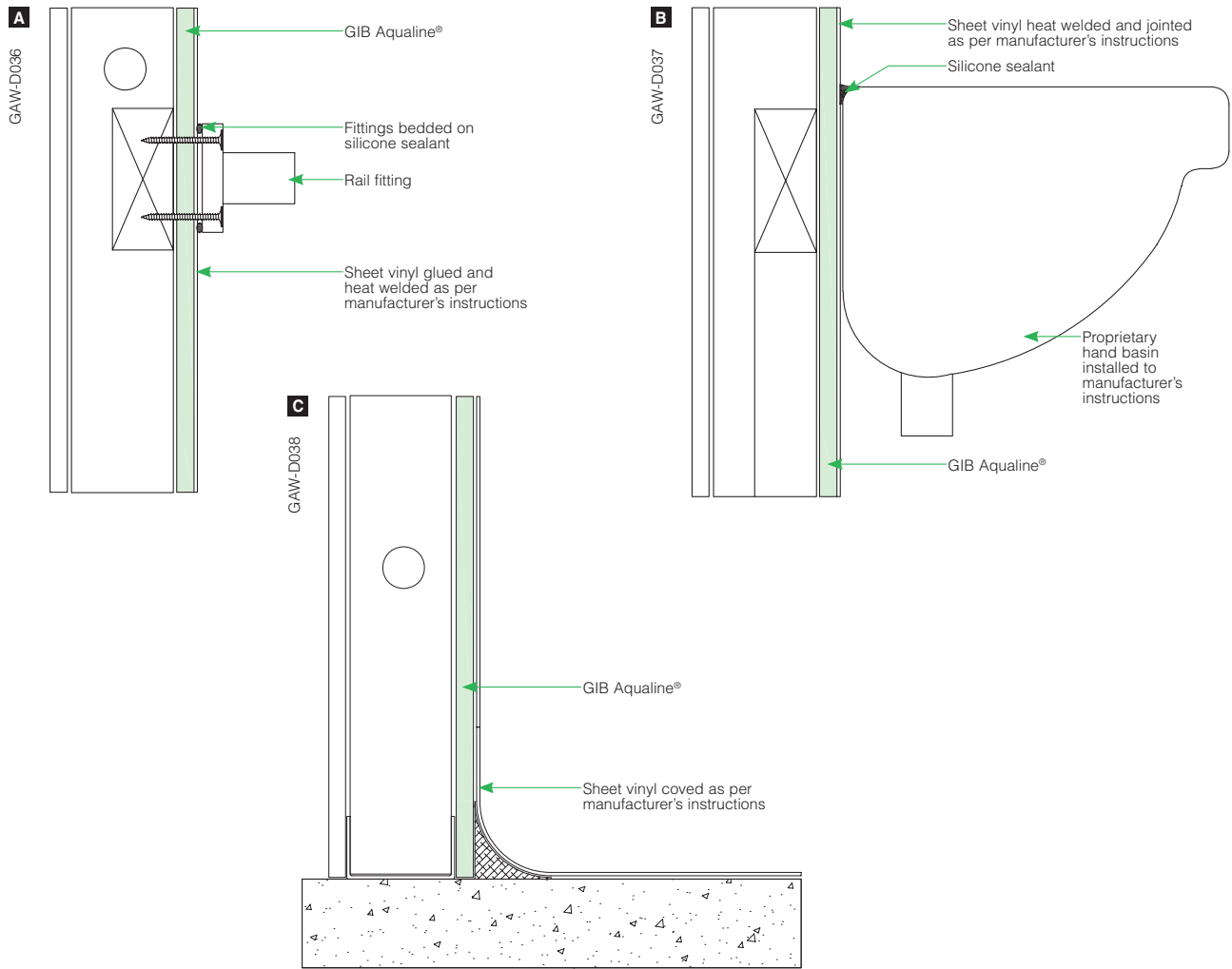
MARCH 2007



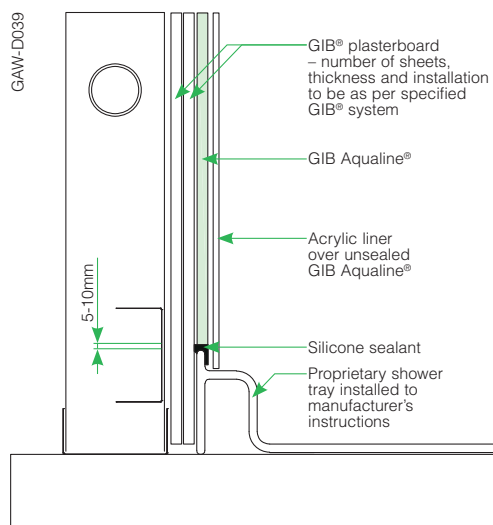
GIB AQUALINE® WET AREA SYSTEMS – TYPICAL DETAILS



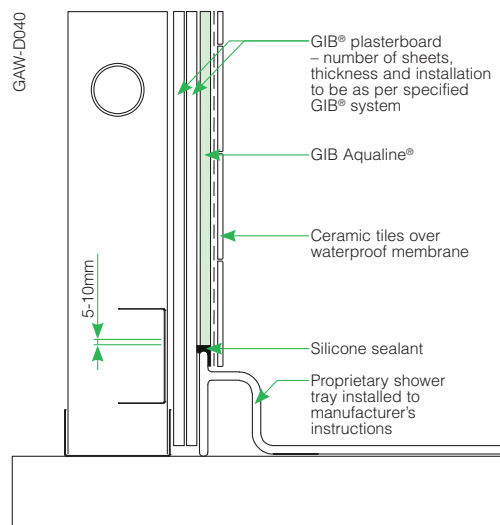
GIB AQUALINE® WET AREA SYSTEMS – TYPICAL DETAILS



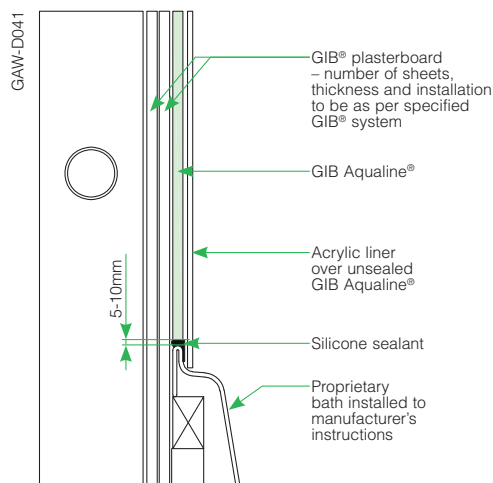
Shower – Acrylic Liner



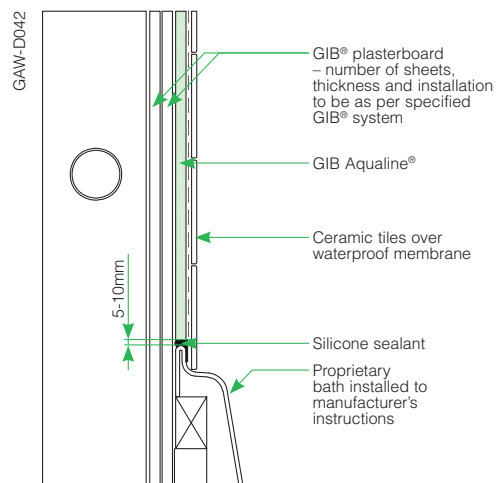
Shower – Tiled Walls



Shower Over Bath – Acrylic Liner



Shower Over Bath – Tiled Walls



GIB Aqualine® Fire Resistance and Noise Control Performance

When GIB Aqualine® is substituted into GIB® Fire Rated systems in place of the equivalent thickness GIB Fyrelite®, the Fire Resistance Rating (FRR) of that system will be maintained.

When GIB Aqualine® is substituted into GIB® Noise Control systems in place of the equivalent thickness GIB® Standard plasterboard or GIB Fyrelite®, the STC and IIC rating of that system will be maintained. When GIB Aqualine® is substituted in place of the equivalent thickness GIB Noiseline®, a small performance loss may occur. For further information contact the GIB® Helpline on 0800 100 442.

	Specification and Installation Checklist	MARCH 2007
---	--	------------

	Contract ID	
	Site Address	
	Client Name	
	Designer	
	Builder	
	Plasterboard Installer	
	Plasterboard Supplier	
	Tiler	
	Shower Installer	

DESIGNER	YES	NO	CHECKED BY	DATE
GIB Aqualine® specified for wet areas and appropriate details included on plans?				
Are tiled areas clearly shown on plans?				
Is area requiring waterproof membrane clearly shown on plan?				
Is the waterproof membrane required to be installed by a licensed applicator? If so, is this noted on the documentation?				
No bracing behind shower or bath?				
BUILDER	YES	NO	CHECKED BY	DATE
Galvanised steel angle installed to the internal corners of tiled shower?				
All sheet joints in showers to be made on solid timber. This may require some additional dwangs for horizontal board installation.				
PLASTERBOARD INSTALLER	YES	NO	CHECKED BY	DATE
10mm GIB Aqualine® for tiles up to 20kg per m ² ?				
13mm GIB Aqualine® for tiles up to 32kg per m ² ?				
GIB Aqualine® mechanically fastened at 100mm centres when tiles are to be installed?				
All junctions between GIB Aqualine® and walls, floors, baths, showers and other elements are correctly sealed with appropriate sealant?				
Pipe penetrations sealed?				
PLASTERBOARD STOPPER	YES	NO	CHECKED BY	DATE
Air drying compound (e.g. GIB ProMix® or GIB Plus 4®) not to be used on areas to be tiled.				
Recommended that GIB® AquaMix is used in wet areas.				
TILER	YES	NO	CHECKED BY	DATE
Waterproof membrane applied to shower areas prior to tiling?				
SHOWER INSTALLER	YES	NO	CHECKED BY	DATE
GIB Aqualine® walls must not be sealed or painted under where acrylic linings are to be installed.				
Ensure GIB Aqualine® is free from dust before installation of acrylic liners.				
Sealant applied to top edge of acrylic shower linings?				
BUILDER/PLUMBER	YES	NO	CHECKED BY	DATE
Sealant applied under penetration face covers?				



Copyright

Copyright © Winstone Wallboards 2007. All of the material contained in this brochure, including all text, tables, charts, graphs, drawings, fastener patterns and diagrams, are protected by copyright. These materials may not be reproduced, adapted or transmitted in any form by any process without the permission of Winstone Wallboards Limited.

Winstone Wallboards also reserves all other intellectual property rights in the materials contained in this brochure.

Trademarks

The names GIB®, GIB Fyreline®, GIB Ultraline®, GIB Braceline®, GIB Toughline®, GIB Noiseline®, GIB Aqualine®, GIB Nail®, GIB Tradeset®, GIB Plus 4®, GIB ProMix®, GIB® AquaMix, GIB-Cove®, GIB Lite Blue®, GIBFix®, Quiet Stud®, GIB Rail®, GIB Sound Barrier®, GIB Soundseal®, GIB Clip®, the colour mauve for GIB Toughline®, the colour blue for GIB Braceline®, the colour pink for GIB Fyreline® and the colour green for GIB Aqualine® are registered trademarks of Fletcher Building Holdings Limited.

GIB® Helpline – Call Free

0800 100 442

Free Facsimile

0800 229 222

E-mail

info@gib.co.nz

Internet Website

www.gib.co.nz

Auckland

PO Box 12256 Penrose. Telephone 0-9-633 0100.
Facsimile 0-9-633 0101.

Copyright © Winstone Wallboards Ltd, 2007



Winstone Wallboards Limited
37 Felix Street, PO Box 12256
Penrose, Auckland, New Zealand
Phone 64-9-633 0100, Facsimile 64-9-633 0101
Internet website: <http://www.gib.co.nz>
E-mail: info@gib.co.nz
GIB® Helpline: 0800 100 442
Facsimile: 0800 229 222