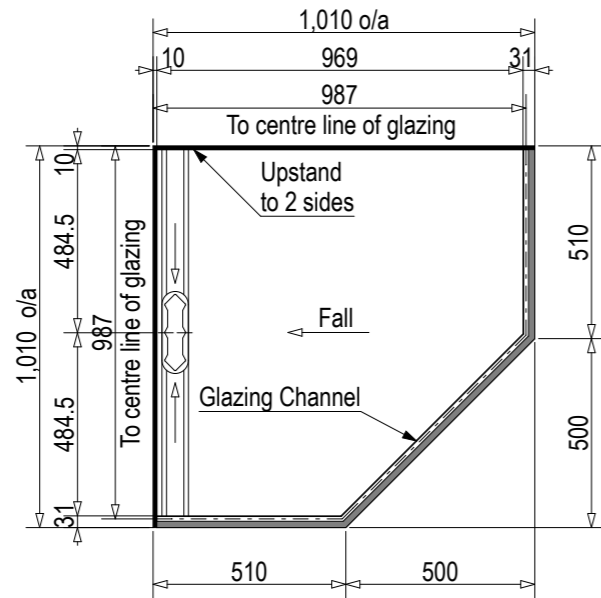


Note: Drain position central unless dimensioned otherwise

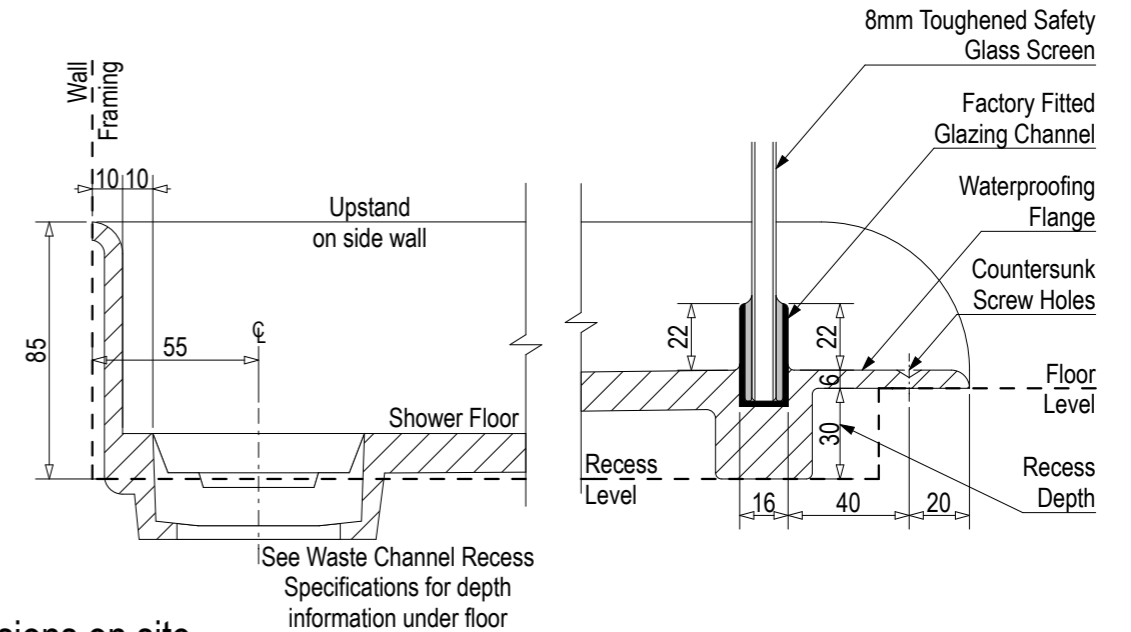
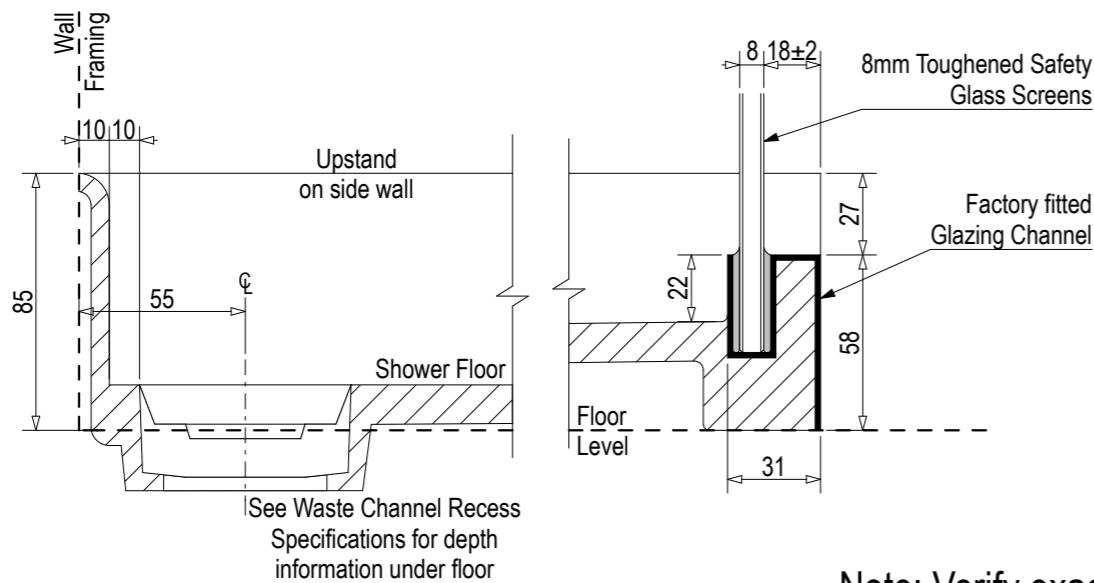
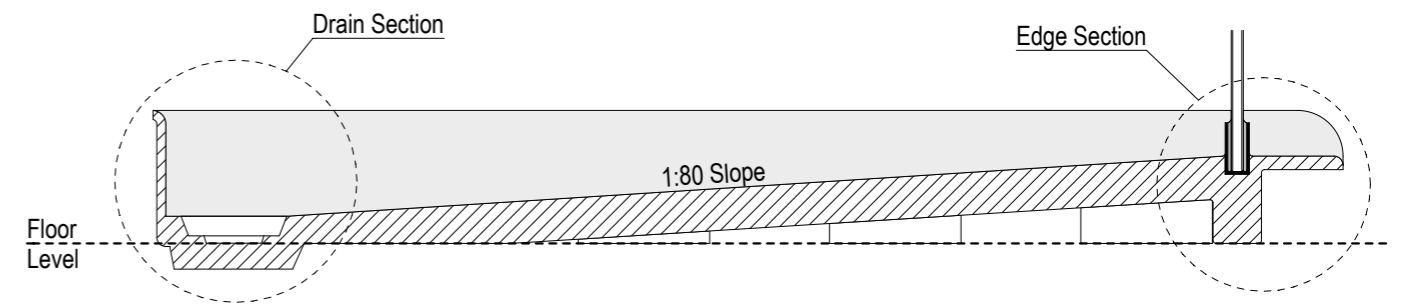
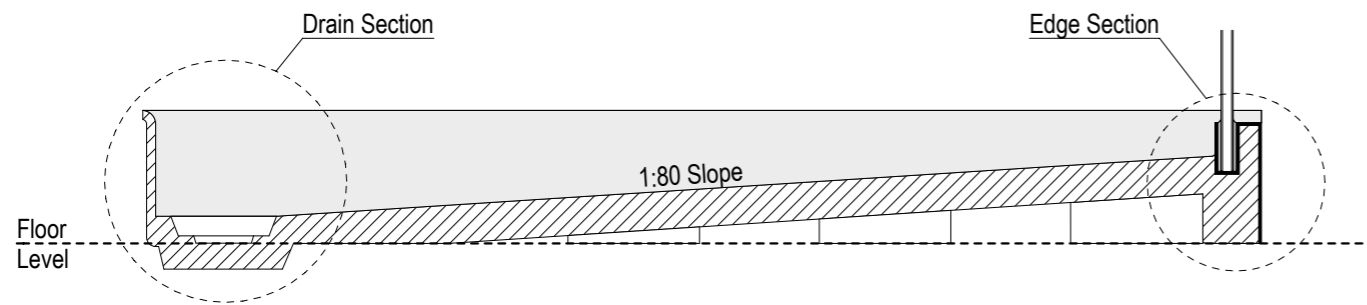
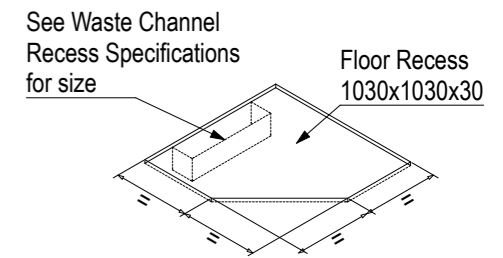
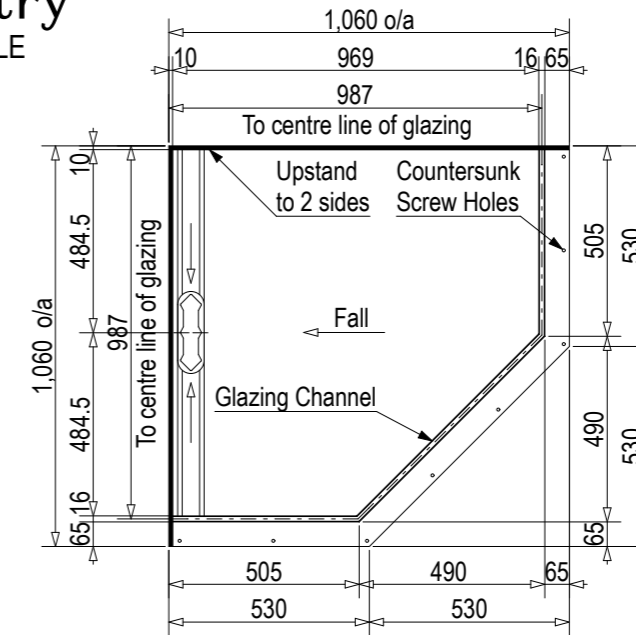
Step Entry

SKU: LQ-ATH-LH-ST



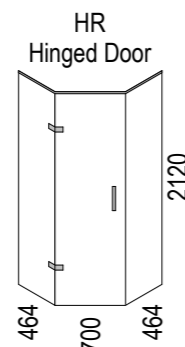
Level Entry

SKU: LQ-ATH-LH-LE



Note: Verify exact shower base dimensions on site

Screen Options:



All Angle Front Screens are reversible

For more product information go to:

www.atlantis.co.nz/shop/linea-quattro/athens-1000x1000/

For installation instructions go to:

www.atlantis.co.nz/trade/installation/

AQUAPLANE WASTE FITTING

- EasyClean Waste with in-built trap
- 50L/min ultra flow rate
- Removable fin for easy cleaning
- 40/50mm outlet with swivel fitting
- Components bolt together for guaranteed watertightness











