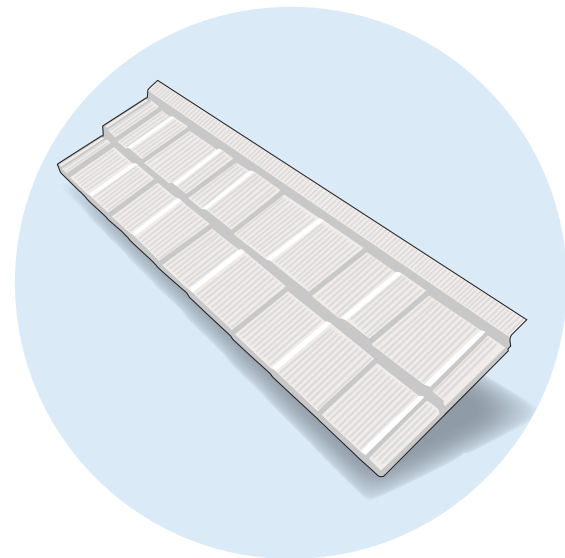


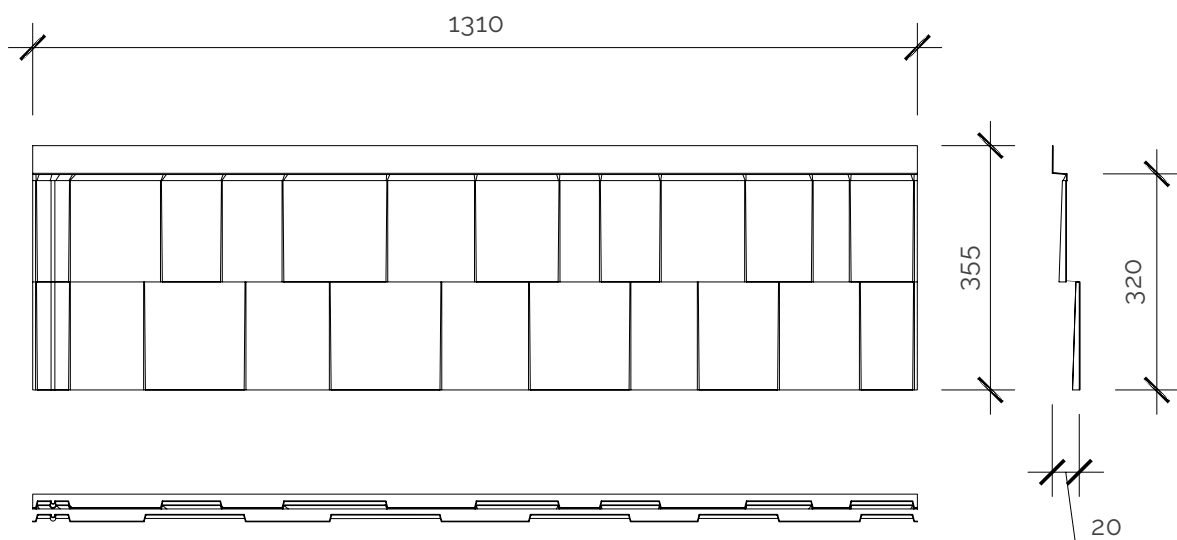
Gerard Oberon

Specific Installation Instructions

Roof pitch	20-90°
Overall length	1310 mm
Length of cover	1230 mm
Width of cover	320 mm
Upstand	20 mm
Roof cover/panel	0.39 m ²
Coverage	2.54 panel/m ²
Textured unit weight	2.8 kg



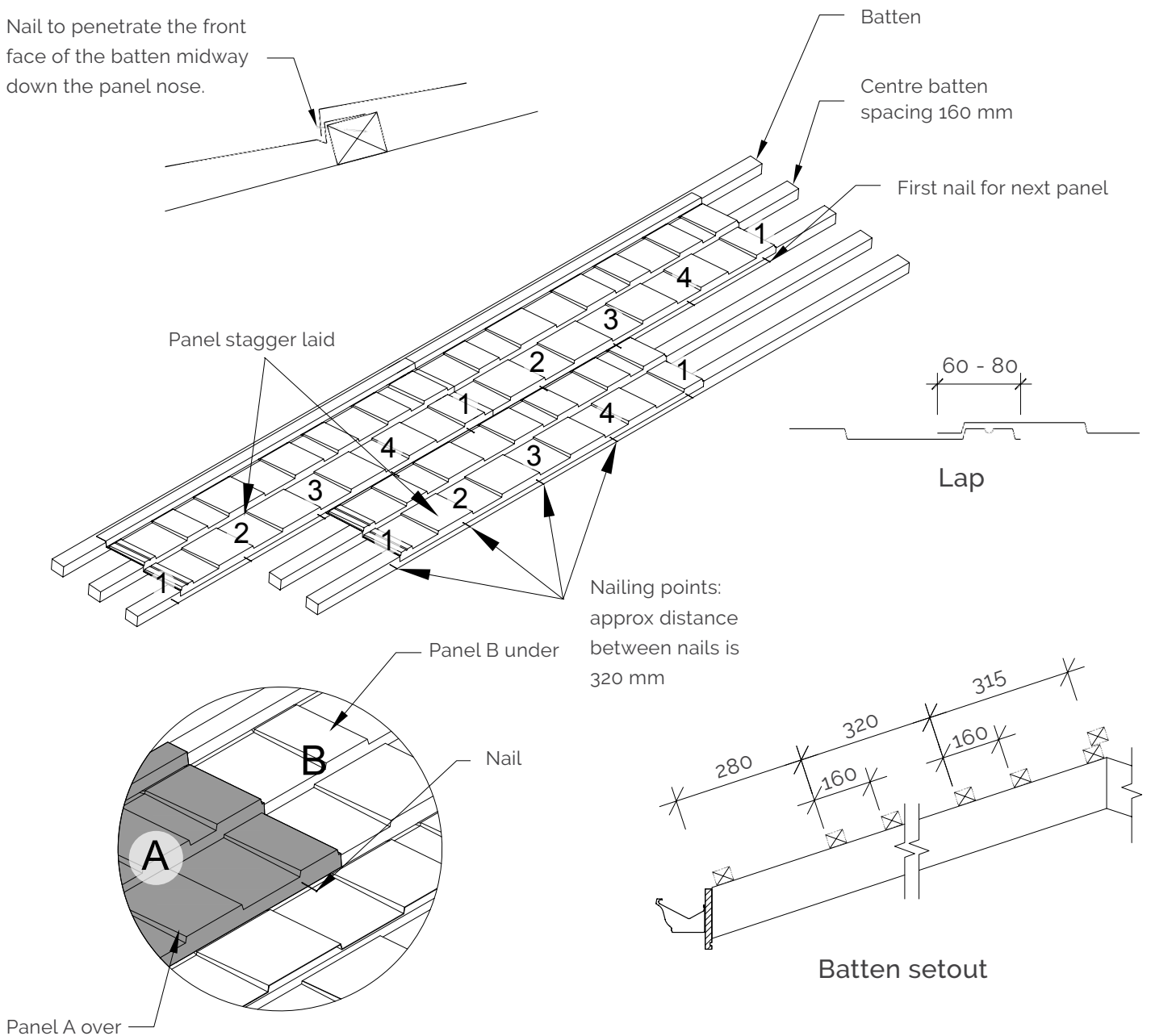
Dimensions and weights given are nominal.



The worry-proof roof.®

Gerard Oberon Panel Installation – Nailing Position

Nail to penetrate the front face of the batten midway down the panel nose.



Fixing

- The nose of each panel is held down at 5 points.
- This comprises 4 nails as per the diagrams plus the nailed overlap panel.

Fastening panels in Cyclone Areas

- Where a building has been designed outside the scope of NZS 3604. Panels on buildings with a wind load design of above 3.8 kPa should be fastened at approx 160 mm spacing (each module).