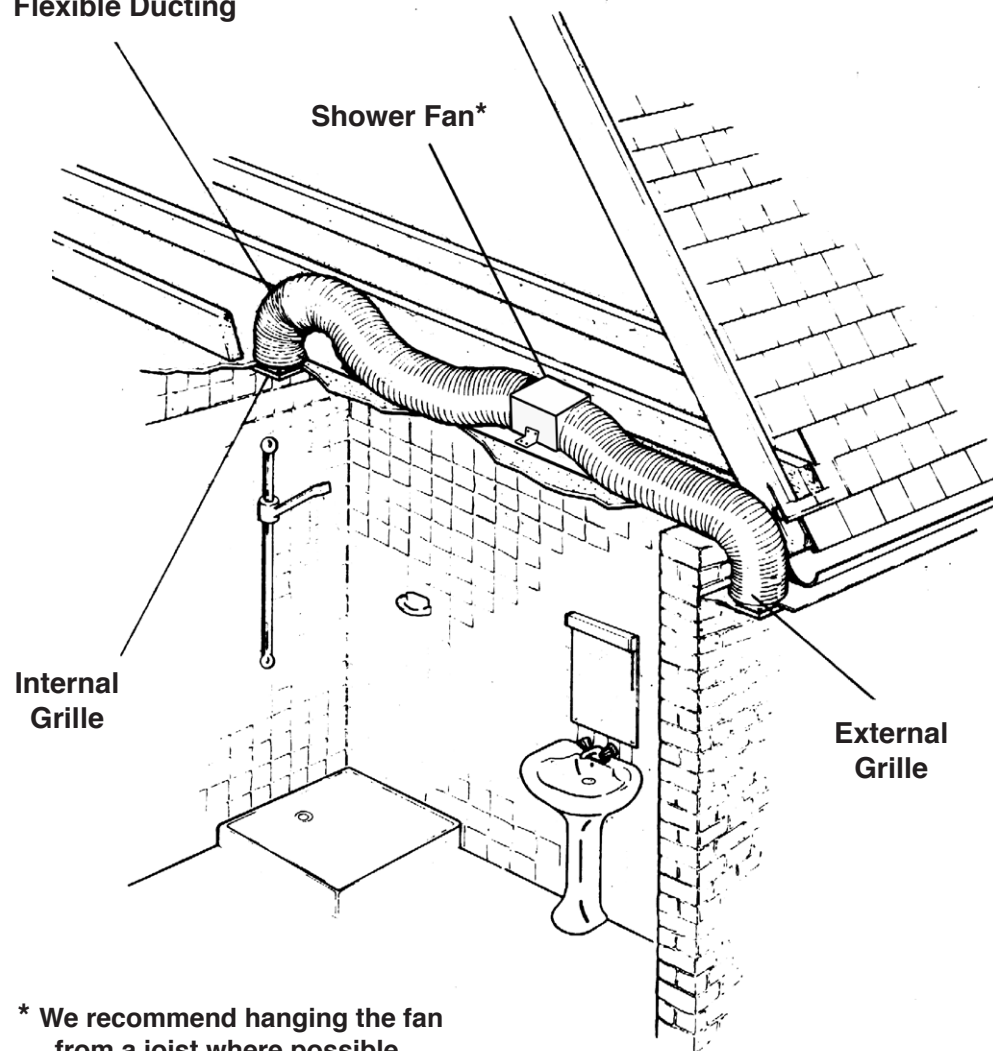


Example of a ID230 fan installation in a bathroom.

Flexible Ducting



* We recommend hanging the fan from a joist where possible.



Manrose Manufacturing Ltd reserve the right to change specification without prior warning

Securimax
SECURIMAX LIMITED
PO Box 14 347 Panmure, Auckland, NZ.

Technical Support Telephone (09) 259 1662 Facsimile: (09) 259 1661
Email: sales@securimax.co.nz Website: www.securimax.co.nz

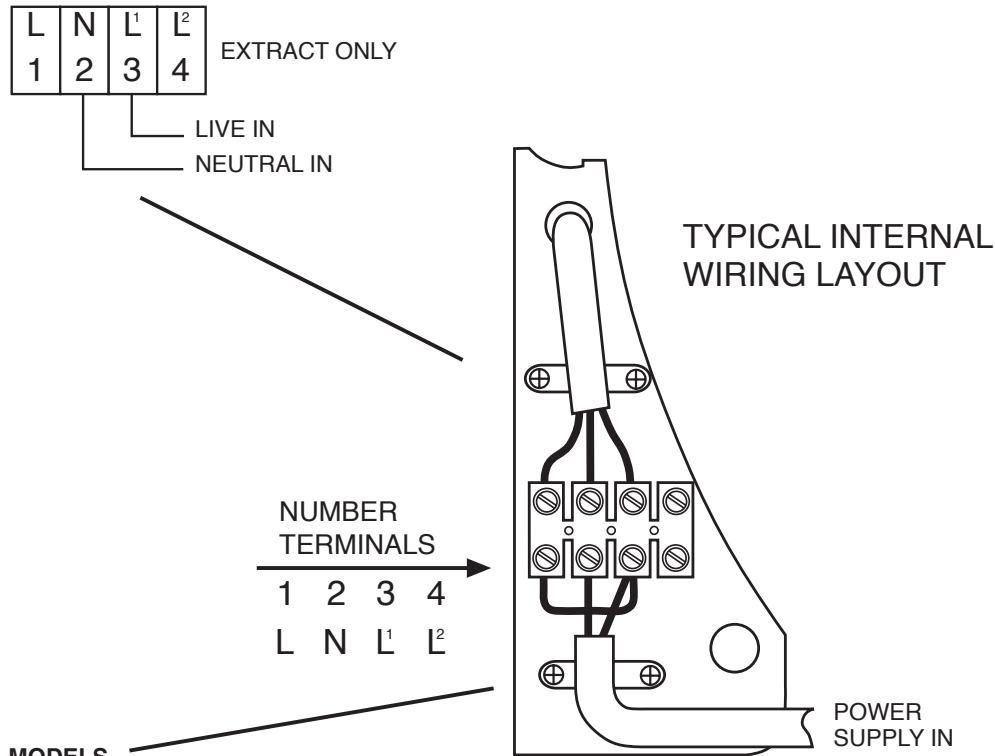
INSTALLATION INSTRUCTIONS FOR THE ID230 FAN.

- NOTE:**(i) Do not install the unit within a shower cubicle or anywhere else where there is a high risk of the fan being sprayed with water.
- (ii) Switch off mains supply before making electrical connections. If in any doubt contact a qualified electrician.
- (iii) This fan is double insulated and does not require an earth.
1. Fit suitable ducting flush to the plaster on grilles.
 2. Remove the cover from the fan by removing the two small screw caps on the front cover and remove the two retaining Philips screws
 3. Bring power cable into position, as marked. Allow an extra 350mm protruding to facilitate connection. Fan should only be installed by fixed wiring, a flexible cord should not be used.
 4. When installing the external grille first take the grille insert out using a flat screwdriver and then drill 4 holes in the corners, mark screw holes on the wall, and fix external grille.

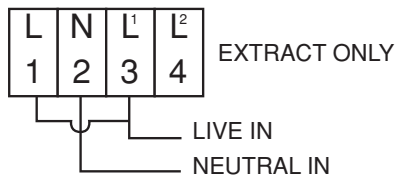
IMPORTANT

- Isolate the main supply before making any electrical connections. This system should be installed by a qualified electrician.
- When fitting through an external wall, an external grille must be fitted at all times.
- Fan should only be installed by fixed wiring, a flexible cord should not be used.
- The appliance is not intended for use by young children or infirm persons without supervision.
- Young children should be supervised to ensure that they do not play with the appliance.

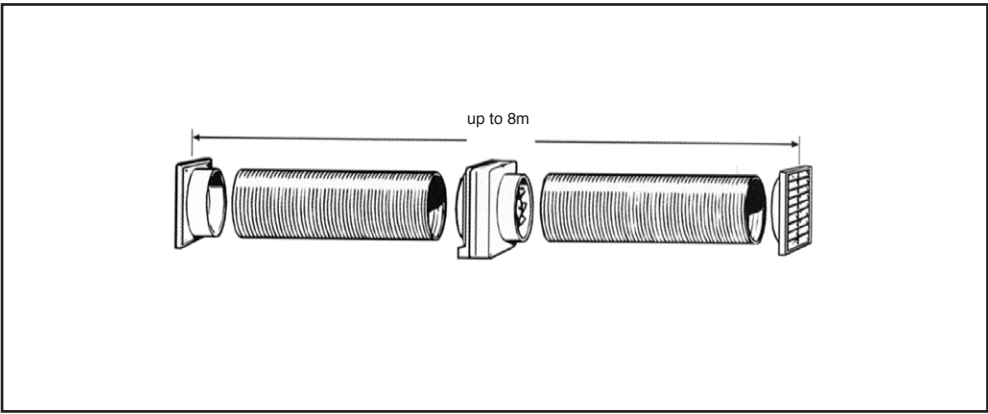
WIRING DIAGRAM



MODELS



NOTE:
When using 1348 or 1349 Controllers
 If using Auto Shutter model fans with these controllers the bridge wire must be removed from terminals 1 & 3



IMPORTANT

All wiring must comply with current Regulations.
 The fan should not be accessible to a person using either the shower or bath.
 These fans are double insulated and do not require an earth.
 All wiring must comply with current regulations.

RATING / SPECIFICATIONS

For all electrical power and IP ratings refer to the fan rating and wiring label.
 All fans are double insulated, manufactured to comply with EN60335-2-80:1997 and are CE marked

Weight:	3.5kg
Electrical:	220-240V
Airflow:	550m ³ /hr. 152l/s
Max Temp:	40°C
Fan Wattage:	80W
IP Rating:	IP24

Extraction of air: Live supply connected to terminal 3 (L¹) as shown
Supply of air: Connect live to terminal 4 (L²) & move bridge wire from (1+3) to (1+4)