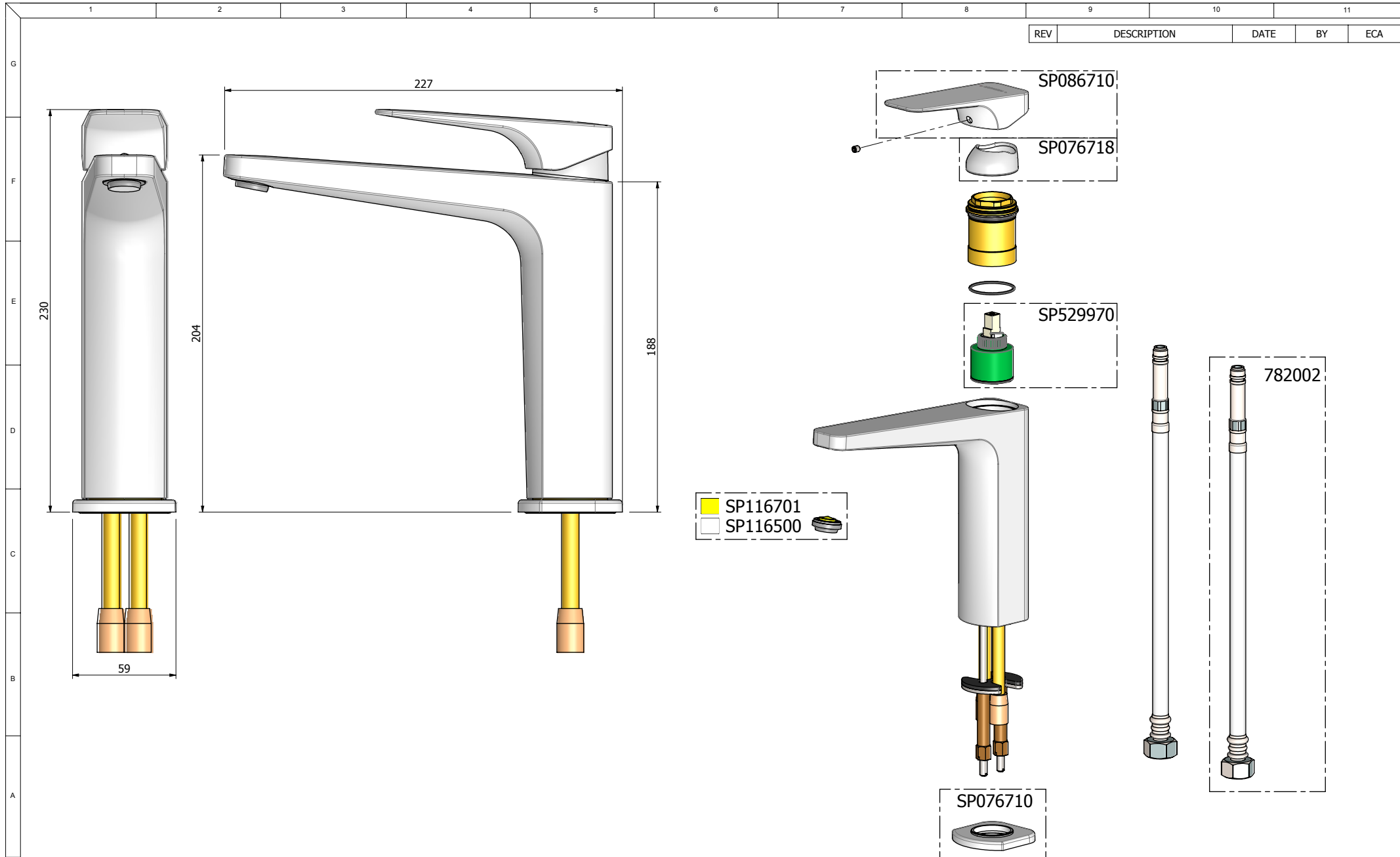


REV	DESCRIPTION	DATE	BY	ECA
-----	-------------	------	----	-----



Process Control Notes:

= Significant Characteristics
 = Customer Significant Features
 = Safety Critical Features

All identified features are required to be produced with a process Cpk ≥ 1.33

Dimensions in mm

Scale: 1:2

DO NOT SCALE

TOLERANCES UNLESS SPECIFIED OTHERWISE	
LINEAR 0 ± 0.4 0.0 ± 0.2 0.00 ± 0.1	ANGLES ± 3° SURFACE FINISH: 1.6/√ CONCENTRICITY © 0.1 ALL Ø ABOUT COMMON CENTRELINE

DRAWN: C Bauer 23/06/2016	CHECKED: Select checked by
MATERIAL: Refer parts	MASS: 3371 g
COLOUR: Refer parts	FINISH: Refer parts
DESCRIPTION: Waipori Sink Mixer - SP	

mETHVEN LIMITED		Sheet 1 of 1
Private Bag 19996, Auckland 1746 447 Rosebank Road, Avondale, Auckland 1026 PH (+649) 829-0429 FAX (+649) 829-0439		Sheet size A3
DWG. No. WAKCP	REV A	