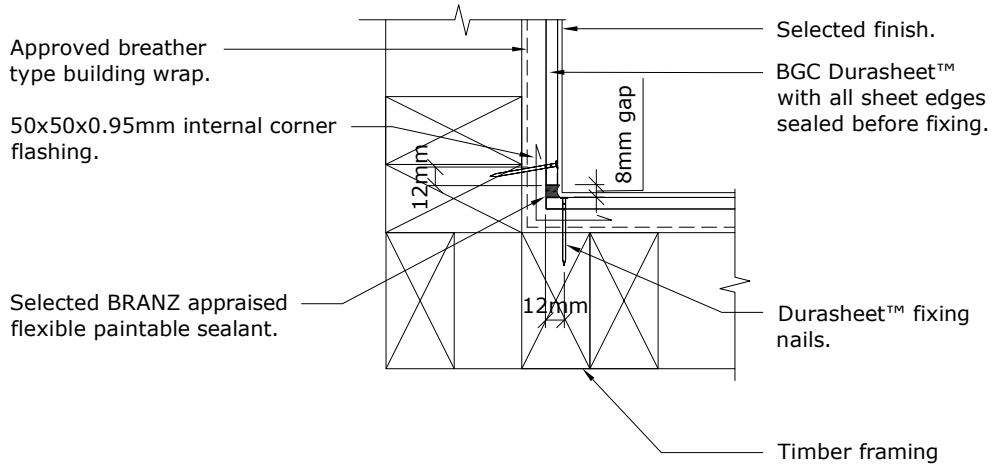
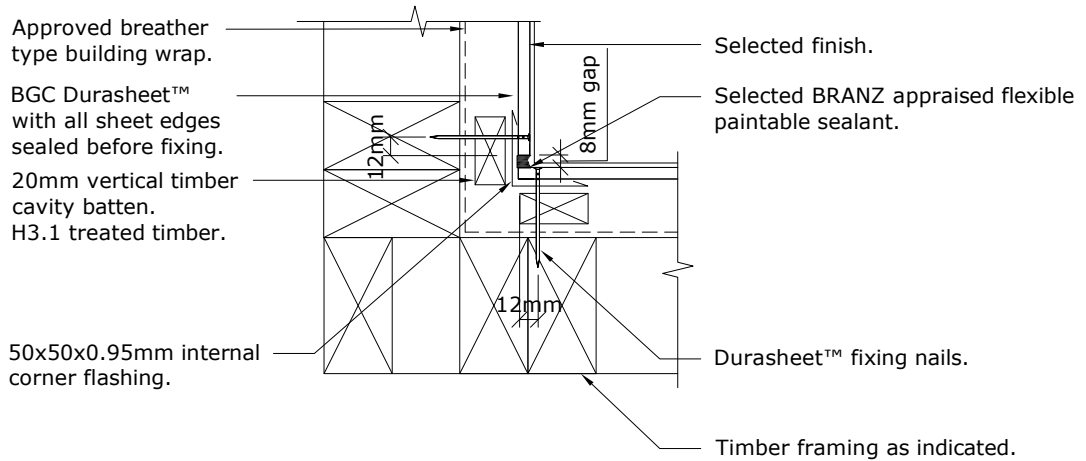




Fibre Cement



Direct Fix



Cavity

PROFILE **BGC Durasheet™**

DETAIL **Sealant Internal Corner Joints**

DATE Oct 2021

SCALE 1:5 @ A4

DETAIL NO. **D 09**