

WAIPORI 3 HOLE WALL MOUNTED FAUCET INSTALLATION GUIDE

TECHNICAL SPECIFICATIONS

Operating Pressure:

Min 35kPa, Max 1000kPa.

Recommended 35kPa - 500kPa.

Recommended installation of a pressure limiting valve if supply exceeds 500kPa.

Operating Temperature:

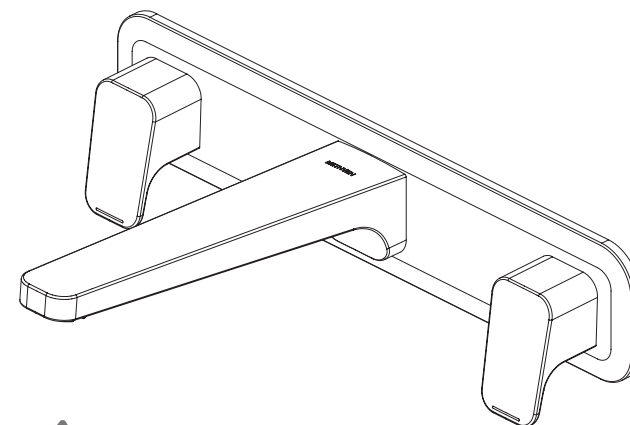
Hot: Max 80°C.

Cold: Min 5°C.

NB: New Zealand Building Code Clause G12 - Water Supplies specifies all outlets used primarily for personal hygiene shall deliver water at a safe temperature.

Inlet Connections:

All 1/2" BSP.



Methven warrants this product against manufacturing defects and that it is suitable for use under the operating conditions specified in this instruction sheet.

For your warranty please refer to www.methven.com or call Customer Service

New Zealand
0800 804 222

Australia
1300 638 483

UK
0800 195 1602



WAIPORI

METHVEN

IMPORTANT

Please read all of the instructions before installation

Do not hydrostatic test the installation with this mixer installed. Damage to the ceramic headworks may occur.

All pipe-work must be thoroughly flushed prior to installation of the mixer. In-line filters (not supplied) must be installed on both hot and cold supplies to prevent foreign particles damaging the ceramic headworks.

NOTE: It is the responsibility of the installer to ensure a water proof seal is achieved between the faceplate and finished surface of the wall. If in any doubt about the quality of the seal the faceplate should be removed and then reinstalled using silicon to ensure a seal is achieved.

