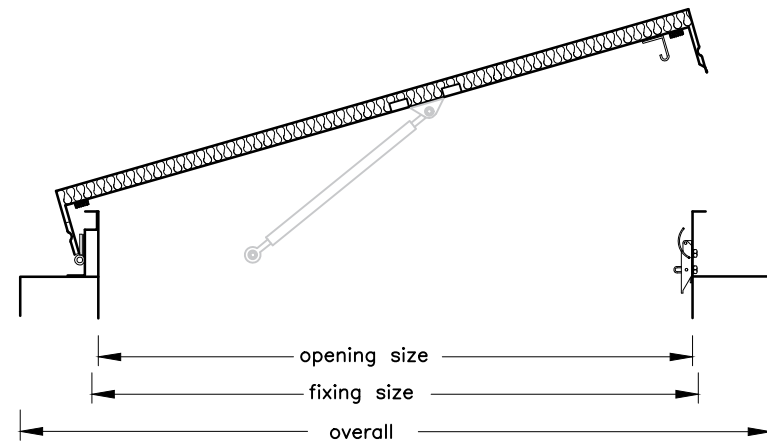
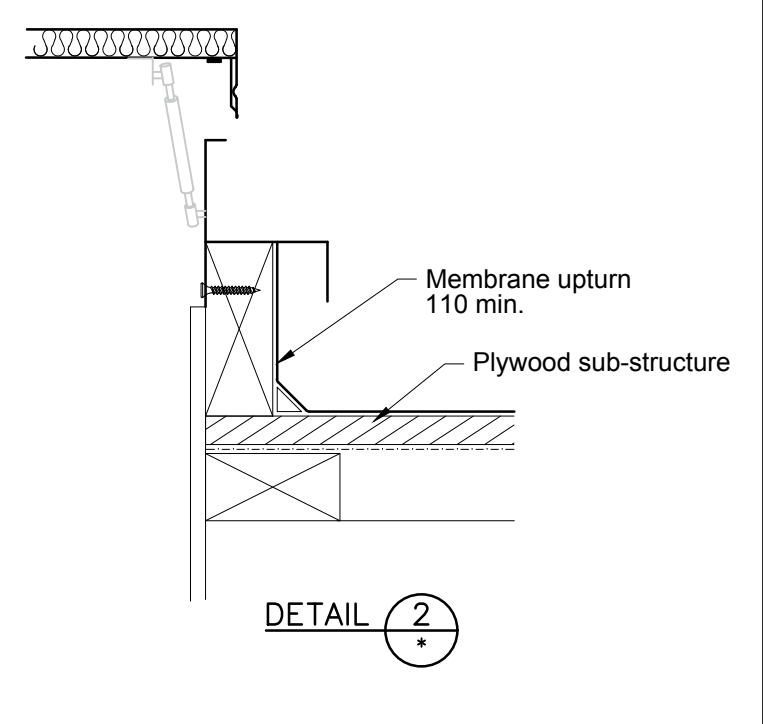
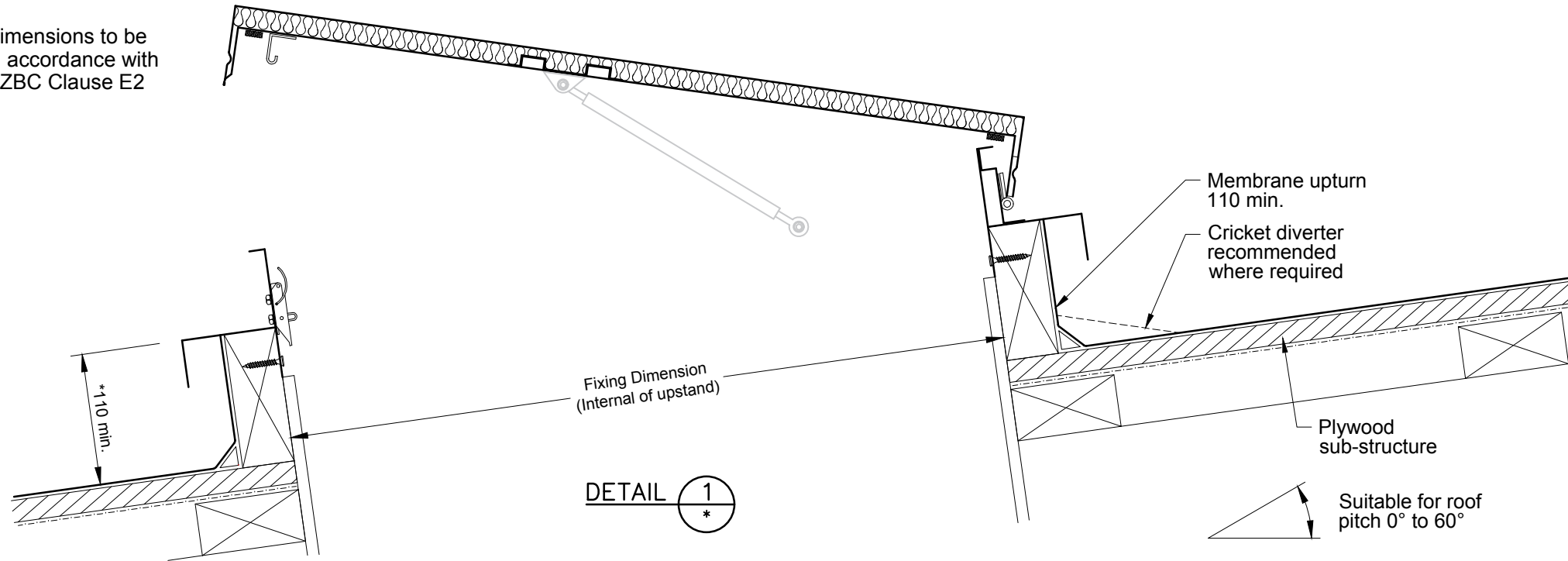
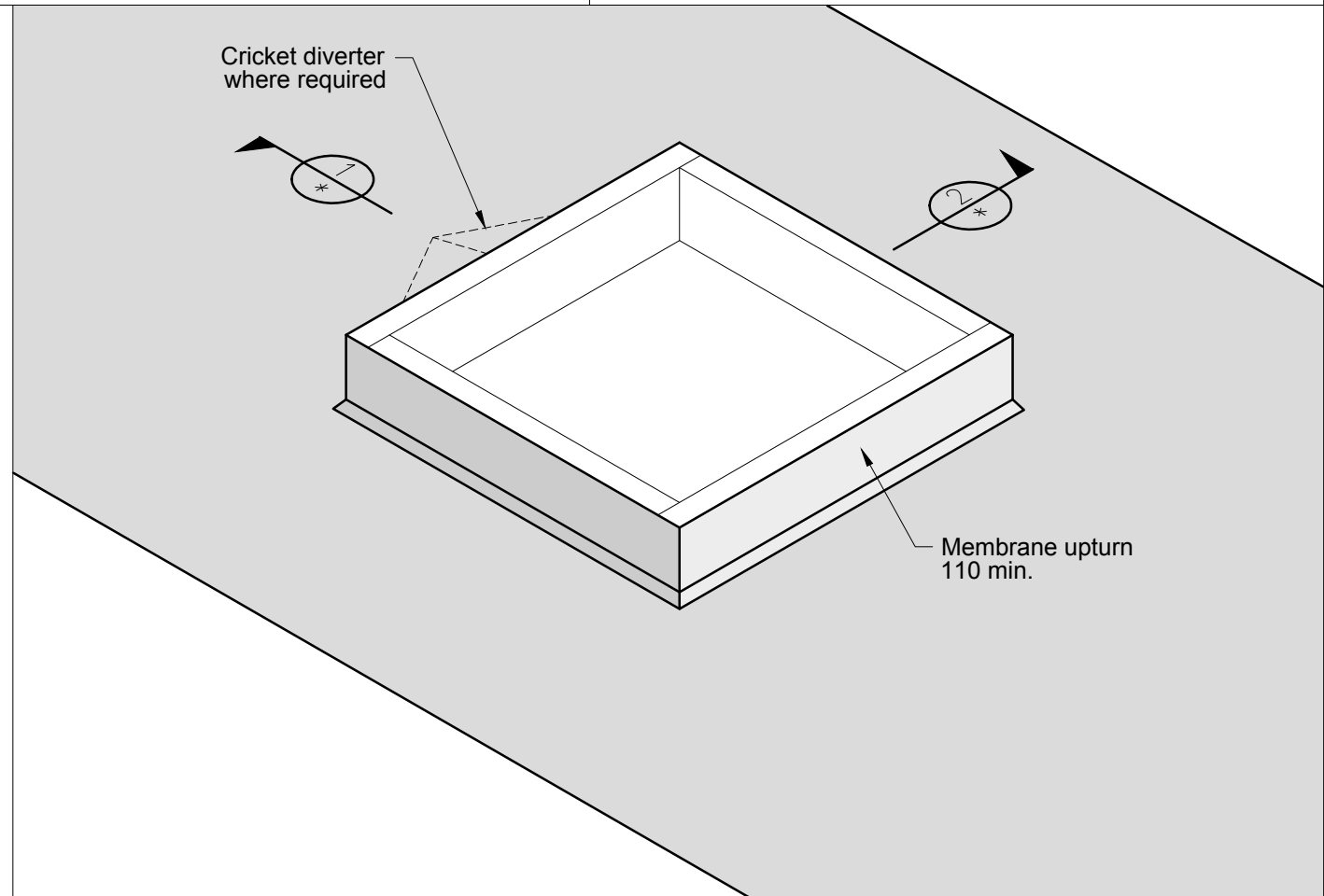


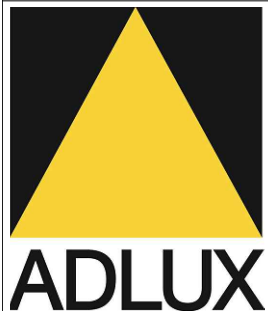
* Dimensions to be in accordance with NZBC Clause E2



Hatch Door Pneumatic Stay						
Model No.	OPENING DIMENSION		FIXING DIMENSION		OVERALL DIMENSION	
HD66PN	660	x 660	665	x 665	840	x 840
HD77PN	725	x 725	730	x 730	905	x 905
HD88PN	800	x 800	805	x 805	980	x 980
HD107PN	1000	x 725	1005	x 730	1180	x 905
HD108PN	1000	x 800	1005	x 805	1180	x 980
HD117PN	1100	x 725	1105	x 730	1280	x 905
HD118PN	1100	x 800	1105	x 805	1280	x 980
HD147PN	1370	x 650	1375	x 655	1550	x 830
HD128PN	1275	x 780	1280	x 785	1455	x 960



Not to scale, do not scale from drawing. All details are generic in nature and should be read in conjunction with the roofing manufacturers' standard penetration details.



ADLUX Industries Ltd. ©
 36 Olive Road, Penrose
 P.O. Box 13866, Auckland
 New Zealand.
 Ph: (09) 636 6866
 Fax: (09) 636 6846
 Email: sales@adlux.co.nz

HATCH DOOR pneumatic stay
MEMBRANE ROOFING
 PITCH 0° TO 60°

DATE: 07/05/19

DWG No: HDpn-MEM