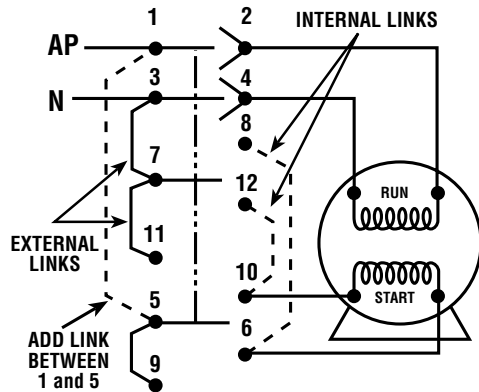


# PDL 56 SERIES CHANGEOVER & REVERSING SWITCHES

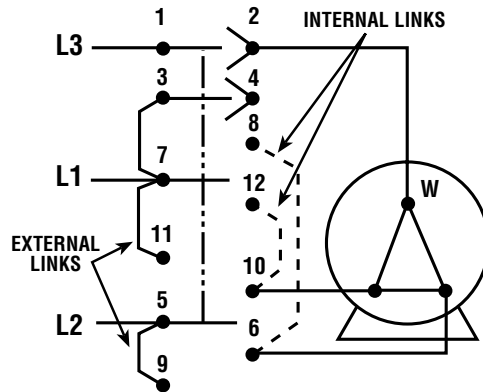
Instructions for 56SW120C/O, 56SW320C/O, 56SW332C/O, 56SW320F/R and 56SW332F/R.

## WIRING - REVERSING SWITCH: 56SW320F/R & 56SW332F/R

### Single Phase Reversing



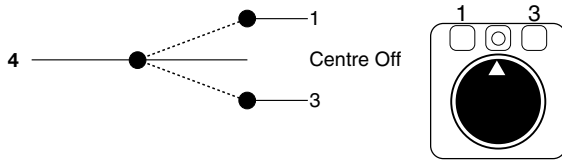
### Three Phase Reversing



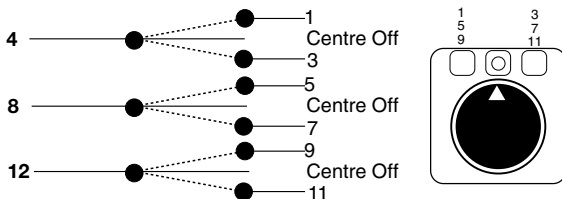
## WIRING - CHANGEOVER SWITCHES: 56SW120C/O, 56SW320C/O & 56SW332C/O

LINE                      LOAD                      LOAD TERMINALS

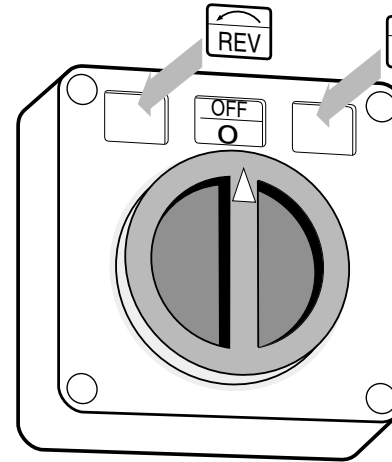
56SW120 C/O  
1 Pole Changeover



56SW320 C/O  
56SW332C/O  
3 Pole Changeover

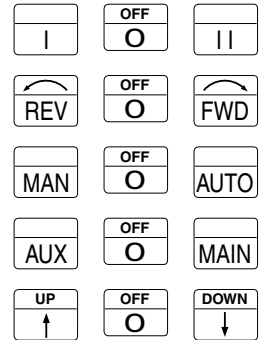


## FITTING COVER MARKING LABELS



NOTE:  
Before use  
affix marking labels  
to the cover

### Cover options



## SPECIFICATIONS

|                                 | IEC947/3      | 20A   | 32A   |
|---------------------------------|---------------|-------|-------|
| Rated Operation Voltage:        | Ue            | 500V~ | 500V~ |
| Rated Insulation Voltage :      | Ui            | 690V~ | 690V~ |
| Rated Thermal Current Enclosed: | Ithe          | 20A   | 32A   |
| Rated Operational Current:      | AC21A 500V Ie | 20A   | 25A   |

(AC21A switching of resistive loads including moderate overloads)

## MOTOR RATING / OPERATIONAL POWER

Switching of motor loads or other highly inductive loads - AC23A

| AC23A | 3 phase | 380-500V | 7.5kW (10hp)  | 11kW (15hp) |
|-------|---------|----------|---------------|-------------|
|       | 1 phase | 220-240V | 2.5kW (3.3hp) | 3kW (4hp)   |

Switching of squirrel cage motors - AC3

| AC3 | 3 phase | 380-500V | 5.5kW (7.5hp) | 7.5kW (10hp) |
|-----|---------|----------|---------------|--------------|
|     | 1 phase | 220-240V | 2.2kW (3.0hp) | 3kW (4hp)    |

Terminal Capacities:

| Stranded | 2 x 2.5mm <sup>2</sup> | 2 x 4mm <sup>2</sup> |
|----------|------------------------|----------------------|
| Flexible | 2 x 2.5mm <sup>2</sup> | 2 x 4mm <sup>2</sup> |



New Zealand Head Office: PO Box 15 355, Auckland, New Zealand  
Telephone +64-9-829 0490, Fax +64-9-829 0491  
www.schneider-electric.co.nz

Australia Head Office: Locked Bag 5500, Baulkham Hills Business Centre,  
NSW 2153, Australia  
Telephone +61-2-9851 2800, Fax +61-2-9629 8340  
www.schneider-electric.com.au

