

# MANROSE

## Halogen Heater Fan & Light

Dear customers,  
Please read all instructions before commencing installation.

- ⚠ **WARNING:** Indicates that injury or death could occur if below **Warnings** are not followed.
- ⚠ This unit must be installed to comply with the appropriate council regulations and the Australia and New Zealand wiring rules AS/NZS3000:2000 or latest edition thereof.
- ⚠ All wiring must be carried out by a Licensed Electrician in accordance with all applicable codes and standards.
- ⚠ Use this heater only as described in this manual. The manufacturer does not recommend any other use as this may cause fire, electric shock, or injury to persons. If you have questions, contact the manufacturer or local agent.
- ⚠ Make sure the power is off before the installation.
- ⚠ The heaters glass shield is hot when in use. Do not touch the heat lamp and glass shield with any part of your body when in use.
- ⚠ For the purpose of avoiding any dangerous gas leaking into your bathroom, the duct vent of the heater must not be laid together with the duct vent of air-fueled water heater or other open-fire appliances into the same flue.
- ⚠ The heater is to be installed so that switches and other controls cannot be touched by a person in the bath or shower.
- ⚠ This unit should not be installed directly above a shower or bathtub. The unit must not be installed in a position where water may splash onto the unit.

**CAUTION:** Possibility of damage to equipment, installation or premises if below **Cautions** are not followed.

- The power cable of this product must withstand a minimum 10A load.
- The main supply and interconnecting cables required for installation of this unit are not included.
- This unit must be properly grounded.
- The disconnection of the product is achieved by incorporating a switch in the fixed wiring in accordance with the wiring rules. The heater must be isolated from the power by means of a disconnection switch with a contact separation of at least 3mm.

- The appliance is not intended for use by persons (including children) with reduced physical, sensory or mental capabilities, or lack of experience and knowledge, unless they have been given supervision or instruction concerning use of the appliance by a person responsible for their safety.
- Children should be supervised to ensure that they do not play with the appliance.
- The appliance shall, under no circumstances, be covered with insulating material or similar material.
- Regulations concerning the discharge of air have to be fulfilled.
- The unit must not be installed beneath a fixed socket.
- The unit is designed for installation in flat ceilings only. Do not mount it on a sloping ceiling or a vertical wall.
- Before commencing any cutting, check in the ceiling space that there are no obstructions such as electrical wiring, hidden utilities or ceiling joists and that there is sufficient height clearance for the housing. Check that the electrical wiring can be routed from the wall switches to the mounting location.
- Joists, beams and rafters shall not be cut or notched to install the appliance.

### INSTALLATION

A few minutes of planning can make a big difference to the installation time and also to your satisfaction with the function of the unit.

#### 1. Cutting a vent

Locate the exterior grill location on a wall or soffit, then cut a 155mm diameter hole at this very position.

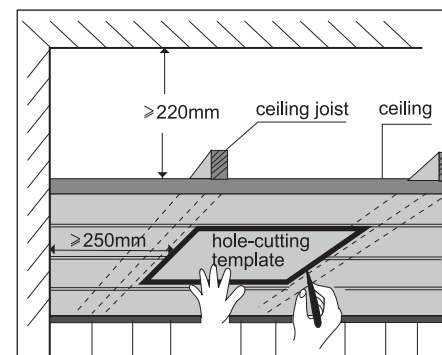
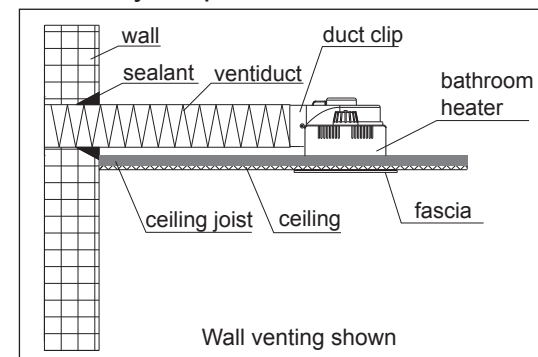
#### 2. Ducting

Put one end of the 150mm diameter duct into the vent hole and connect to grill or cowl with one duct clip included. A 150mm diameter egg-crate grille is included in the package to be used when installing in soffit. If installed in wall a weatherproof cowl should be used. Seal grill/cowl with suitable sealant.

**Note:** The length of each duct is 3.0m. Make sure that from the centre of installation position there should be a distance within 3.0m to the outside vent.

#### 3. Suitable location

The heater must be installed at least 2.1m above the floor and no more than 2.4m from the ground. The heater is most effective when you are standing directly beneath it, so generally the unit would be mounted in a place where you would stand to dry yourself. For the exhaust fan to work efficiently, replacement air of a volume equivalent to what is being



extracted must be able to enter the room. Generally, this air would be drawn under the door with a minimum space of 20mm. If the room is airtight, the fan will function poorly.

#### 4. Prepare the ceiling

Use this template to mark the hole outline on the ceiling. Make sure a distance between the edges and wall is no less than 250mm. Also from the rooftop should be a minimum 220mm height to the ceiling.

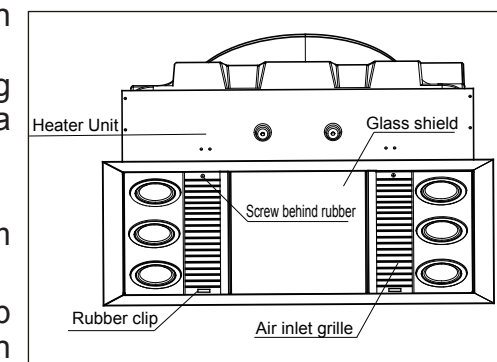
#### 5. Remove the fascia

Remove 4 silicon clips at 2 ends of the rectangle air inlet grilles. Remove the screws hidden inside. Remove the fascia.

**Note:** Be careful while removing the screws so that the fascia does not drop to the ground.

#### 6. Remove the lamps

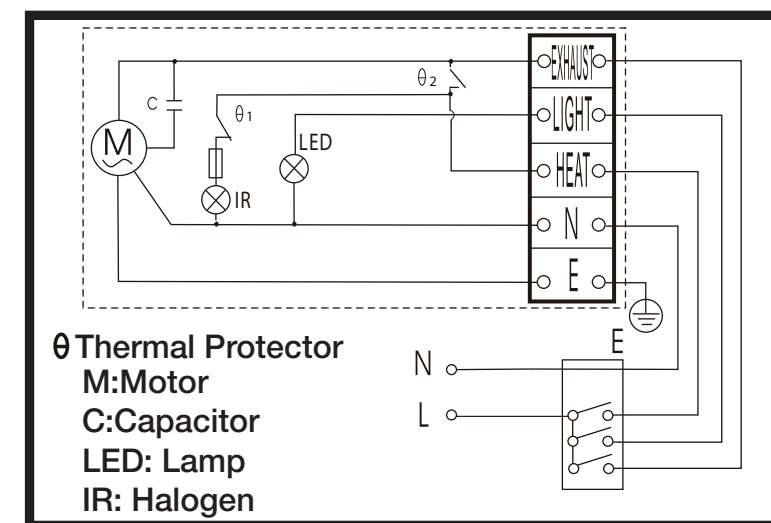
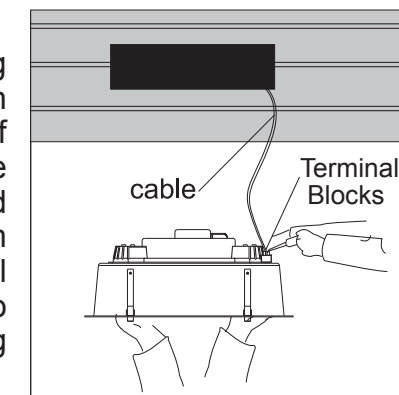
- Remove the 6 LED lamps from the heater unit.
- Remove the halogen heat lamp from the heater unit and keep it in a safe place. Do not touch this lamp with your bare skin.



**Natural skin oils and salts damage new halogen lamps and shorten their life.** Only handle a new heat lamp with soft, dry, clean, lint-free cloth or paper. You can wear gloves, cover your fingers or wrap the heat lamp until it is installed (so long as you remove all cloth or paper when finished).

#### 7. Wiring

Connect one end of the interconnecting wire with the switch panel, and then drag the other end power cable out of the hole on the ceiling. Open the terminal block cover on the housing and make connection as the wiring diagram instructs, then reposition the terminal block cover. Tuck the excess wire into the ceiling so as to leave the housing enough room to fix in.



# INSTALLATION INSTRUCTIONS AND HOLE-CUTTING TEMPLATE

## 8. Fit the in-house end of the duct to the fan outlet, and fix the end with duct clip.

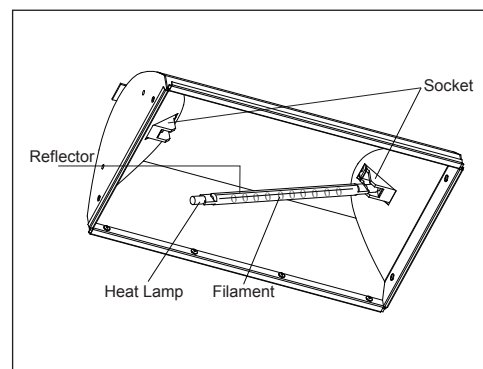
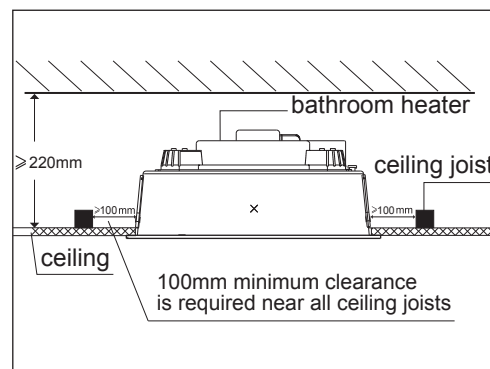
A backdraft stopper is included in the package, fit the stopper to the fan outlet and fix it with one duct clip. Fit the in-house end of the duct to the stopper, and fix the end with another duct clip.

**Note:** Keep the route as straight as possible.

## 9. Position the housing into the hole

Choosing the best direction to put the housing into the hole in accordance with the position of the fan outlet. Use screws to fix the unit onto supports (not supplied). Ensure that the unit is held securely on all 4 sides. You may have to add supports on 2 sides in between joists or even build a frame to secure it properly into the ceiling with supports.

**Note:** Try to keep the excess wire away from the housing.



## 10. Final installation

- Install the heat lamp.
- Fit one end of the heat lamp into socket and gently push it away from the other socket. When there is enough room, fit the other end of the heat lamp into its socket (The heat lamp is half coated with a white reflector. When you grasp the heat lamp with cloth or paper, face the back of the reflector to the ceiling so you can see the heat lamp's filament. Not doing this will reduce performance)
- Reinsert the LED lamps.
- Check the glass shield to make sure that it is not damaged and is well fixed on the fascia by the screws (A little movement of the glass won't cause any problem to the use)
- Replace the fascia with screws. Use 4 silicon clips to cover the screws.
- Fix the switch panel to the wall.

**Note:** The switch wiring should be mounted inside the wall to give the switch an integrated built in appearance. If it is necessary to run the wiring on the outside of the wall, use a suitable conduit and fixings to properly located and hold the wiring used.

## USE

Our bathroom heater uses the halogen heating lamp (re-order code LHT0326) as a source of heat. It also combines the functions of exhaust and light.

### 1. Heat

'HEAT' switch On/Off

Do not touch the halogen heating lamp and the glass shield with any part of your body when in use.

### 2. Exhaust

'FAN' switch On/Off

This unit can exhaust odours and steam in a quick and efficient way by turning on the "FAN" switch.

### 3. Lighting

'Light' switch On/Off

Do not switch on/off frequently when in use. Shut off the power if in long periods of inactivity.

## PLEASE NOTE:

The Manrose Halogen Heater Fan Light has a Triple Thermal Protection System: The Heater FL is equipped with automatic resettable thermal switches. If the Heater FL overheats, the unit will shut off automatically. The unit will operate normally after cooled.

## MAINTENANCE

### 1. Clean

- Shut off the power before cleaning.
- Wipe the glass shield and fascia with care using a soft cloth soaked with a neutral detergent. Check the glass shield is not loose from the slots regularly.

**Note:** Ensure the lamps are cool enough to touch before handling.

### 2. Lamp Replacement

- Shut off power before replacement.
- Use ONLY Manrose 4.5W GU10 LED Lamp for lighting - LHT0211
- Use ONLY 1000W Halogen Heat Lamp for heating - LHT0326

**Note:** Only use Manrose replacement bulbs as listed. Using other bulbs may damage the unit.

## WARRANTY

The unit is warranted against defects in manufacturing and workmanship for a period of 5 years. The warranty does not extend to lamp globes supplied or installation of the unit or any associated wiring or any damage caused by installation or wiring.

The installation must be conducted by a licensed electrician and a suitable certificate of safety is to be issued by the electrician who installed the unit. Warranty claims will be voided unless a certificate of safety can be produced when required, prior to service or repair.

## This warranty does not cover damages or loss caused by:

- 1) Heat or light lamps.
- 2) Any consequential losses arising from incorrect installation or operation or maintenance of this product.
- 3) Any consequential losses arising from incorrect wiring of this product.
- 4) Any modifications or changes made to the unit, other than those recommended by the Manufacturer.

## MAIN TECHNICAL PARAMETERS

Model Number	FAN5876
Rated Voltage	230V-240V
Rated Frequency	50Hz
Rated Power	1100W

## LIST OF PARTS

Operation unit	1 piece
1000W Halogen Heat Lamp (LHT0326)	1 piece
Manrose 4.5W GU-10 LED Lamp (LHT0211)	6 pieces
Installation instruction & hole-cutting template	1 piece
Warranty card	1 piece
Ducting kit	1 set
Backdraft stopper	1 set
Duct clip	3 pieces
Switch	1 piece

For warranty purposes fill out the following details and save with proof of purchase. This information must be submitted in the unlikely event that this product fails.\*

MODEL NO.: FAN5876

Purchased from: \_\_\_\_\_

Date of purchase: \_\_\_\_\_

\*All warranty claims must be submitted through [returns@simx.co.nz](mailto:returns@simx.co.nz)

We reserve the rights to revise this instruction without any prior notice.