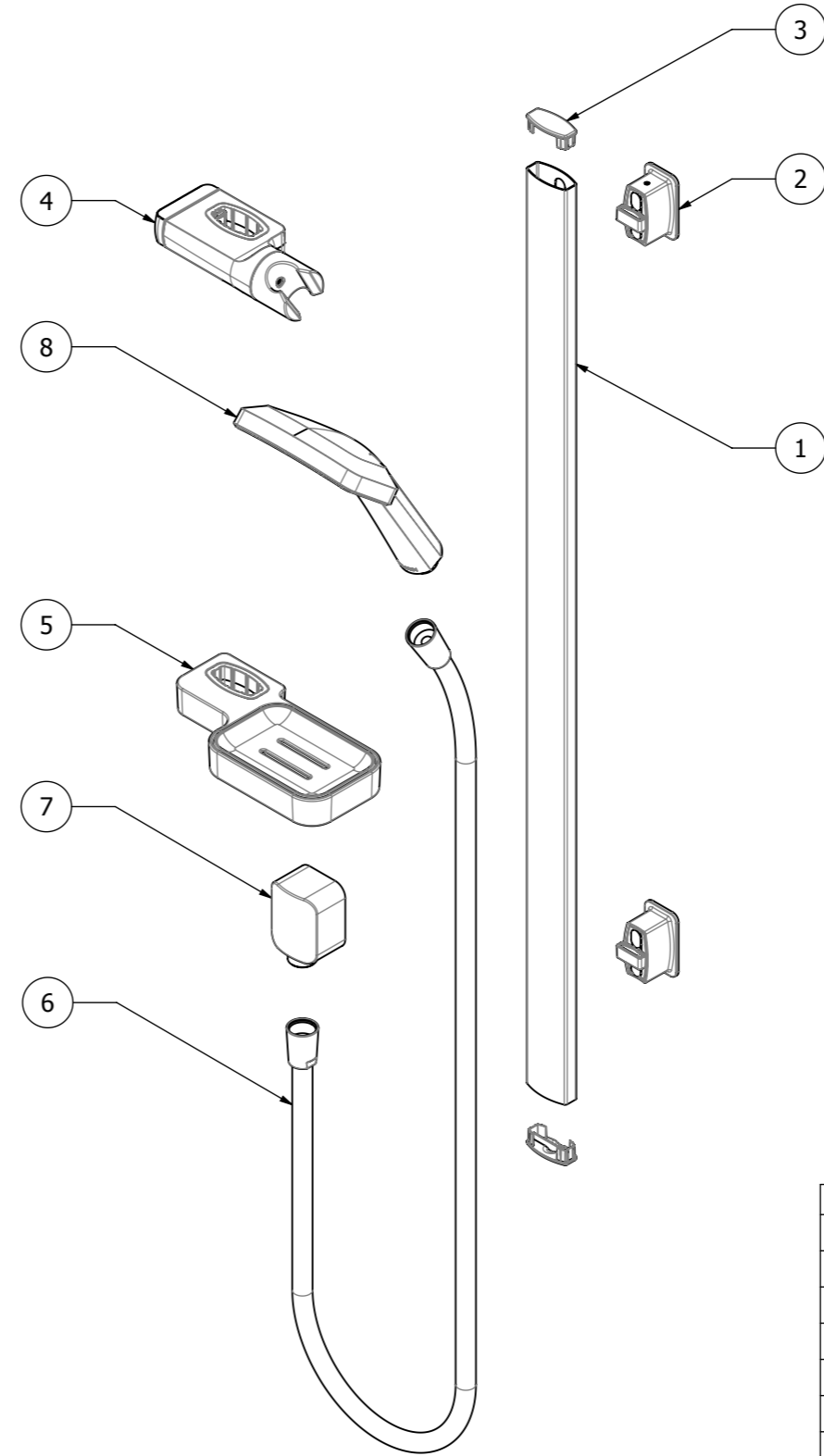
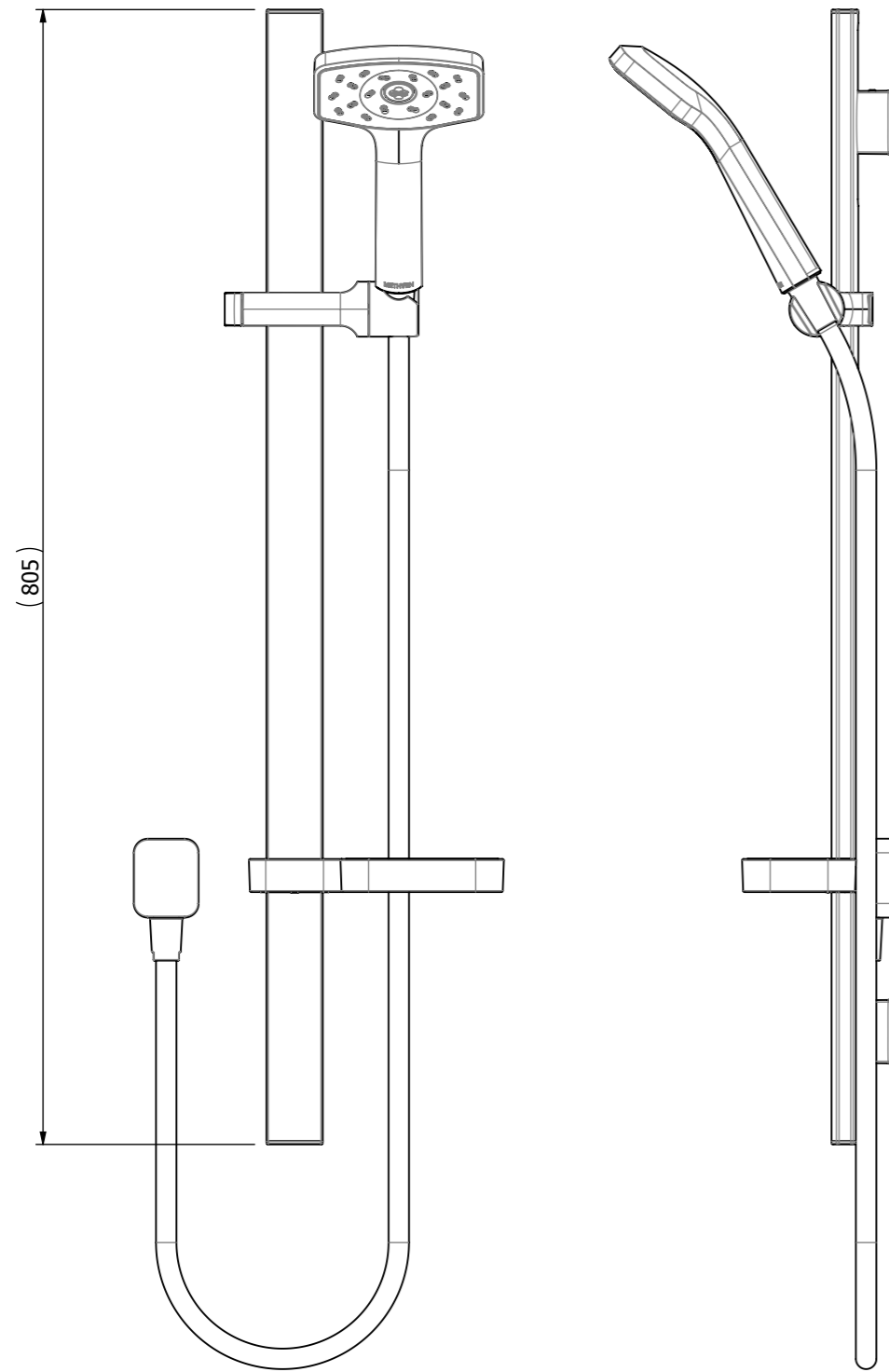


REV	DESCRIPTION	DATE	BY	ECA
C	Slider 189900 was 136710; Soapdish 189912 was 136060.	17/08/2015	NMA	9706



ITEM NO.	PART NO.	DESCRIPTION	QTY.
1	133657	Rail Slotted Edge 800mm	1
2	290071	Waipori Wall Bracket CP	2
3	290172	End Cap Edge Rail CP	2
4	189900	Slider Edge Rail	1
5	189911	Soapdish Assy Chrome Edge Rail	1
6	191511	Hose Narrow Bore Satin Lux 1500mm	1
7	131720	Elbow Assembly Square No FRD CP	1
8	266700	Waipori Handset CP White Bulk Pack	1
9	269982	Mounting Kit Railset	1

**Process Control Notes:**  
 SC = Significant Characteristics  
 CS = Customer Significant Features  
 S = Safety Critical Features  
 All identified features are required to be produced with a process Cpk ≥ 1.33

**Dimensions in mm**  
  
 Scale: 1:5  
**DO NOT SCALE**

**TOLERANCES UNLESS SPECIFIED OTHERWISE**

LINEAR	ANGLES ± 3°
0 ± 0.4	SURFACE
0.0 ± 0.2	FINISH: 1.6/
0.00 ± 0.1	

CONCENTRICITY © 0.1  
 ALL Ø ABOUT COMMON CENTRELINE

DRAWN: N Ashby 17/08/2015  
 CHECKED: U Patel 12/10/2015  
 MATERIAL: Refer parts  
 COLOUR: Refer parts  
 FINISH: Refer parts  
 MASS: 1634 g  
 DESCRIPTION: **Waipori Rail Shower CP White**

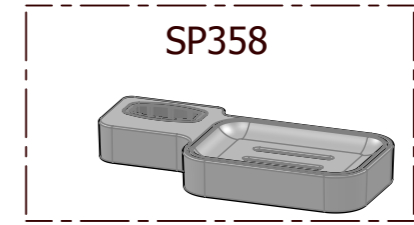
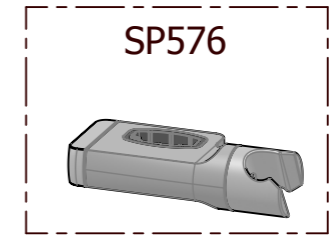
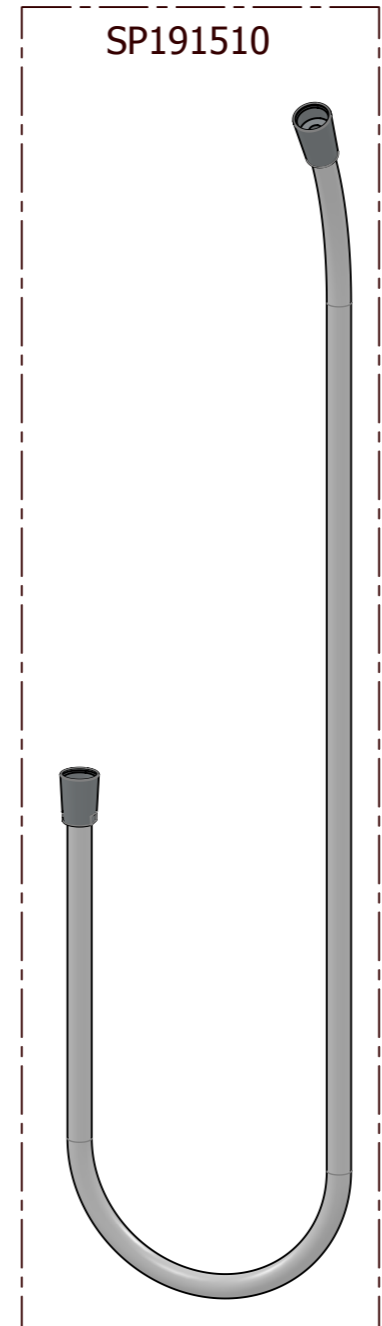
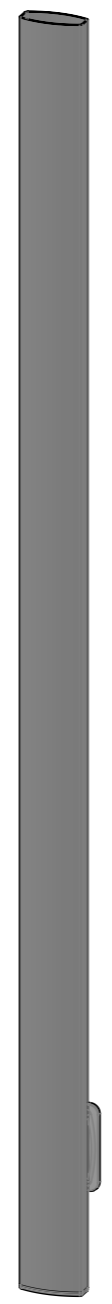
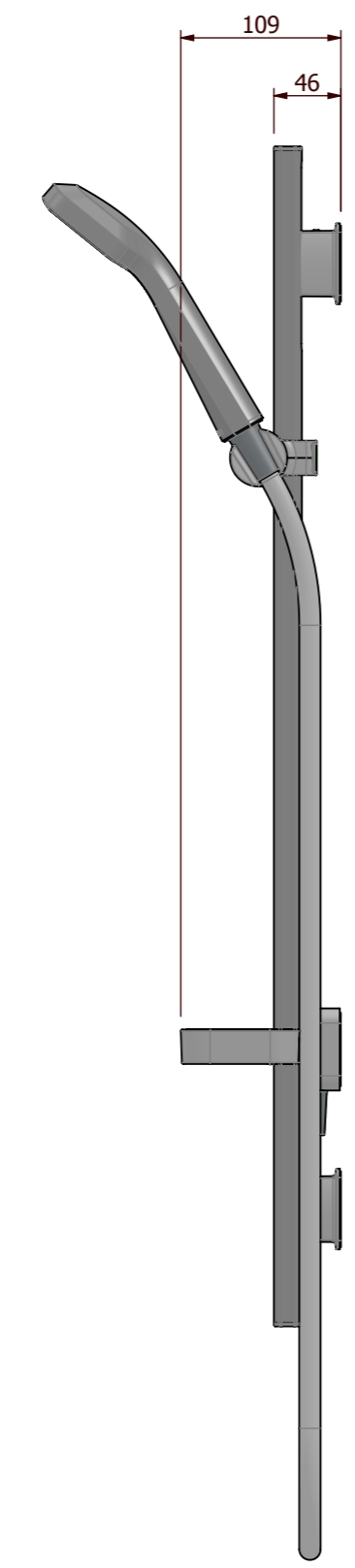
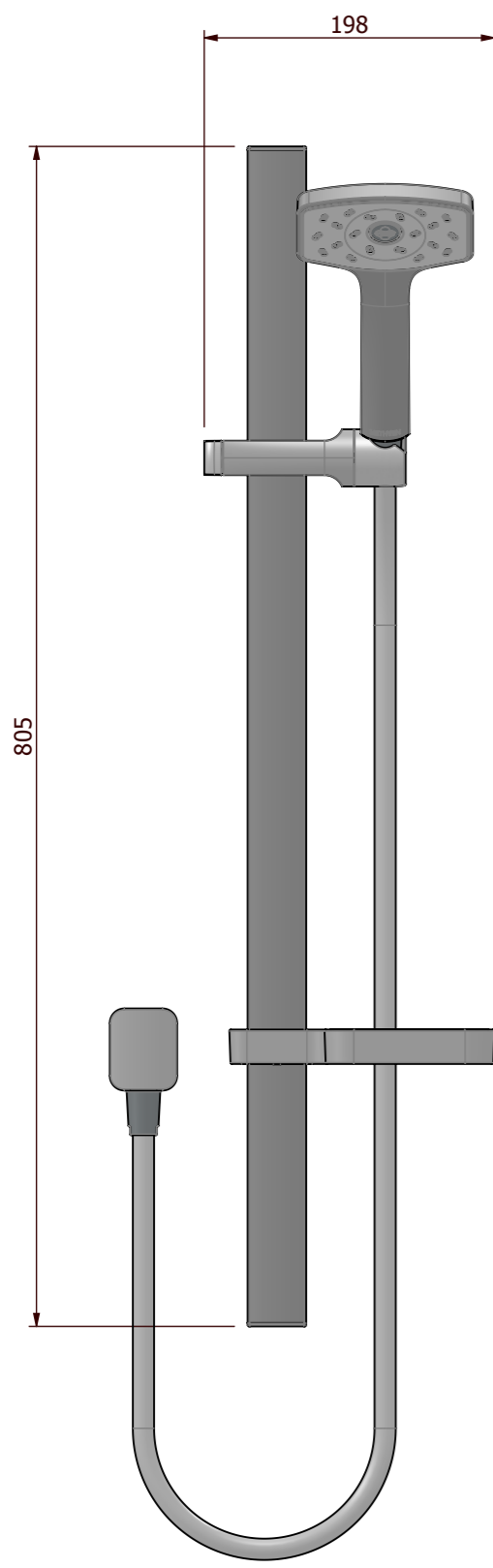
**METHVEN LIMITED**  
 Private Bag 19996, Auckland 1746  
 447 Rosebank Road, Avondale, Auckland 1026  
 PH (+649) 829-0429 FAX (+649) 829-0439

Sheet 1 of 2  
 Sheet size A3  
 DWG No: **WASRCPWH**  
 REV: **C**

1	2	3	4	5	6	7	8	9	10	11
---	---	---	---	---	---	---	---	---	----	----

REV	DESCRIPTION	DATE	BY	ECA
-----	-------------	------	----	-----

G  
F  
E  
D  
C  
B  
A



**Process Control Notes:**  
 SC = Significant Characteristics  
 CS = Customer Significant Features  
 Ⓢ = Safety Critical Features  
 All identified features are required to be produced with a process Cpk ≥ 1.33

**Dimensions in mm**  
  
 Scale: 1:5  
**DO NOT SCALE**

TOLERANCES UNLESS SPECIFIED OTHERWISE	
LINEAR	ANGLES ± 3°
0 ± 0.4	SURFACE FINISH: 1.6
0.0 ± 0.2	▽
0.00 ± 0.1	
CONCENTRICITY © 0.1 ALL Ø ABOUT COMMON CENTRELINE	

DRAWN: N Ashby 17/08/2015	CHECKED: U Patel 12/10/2015
MATERIAL: Refer parts	MASS: 1634 g
COLOUR: Refer parts	FINISH: Refer parts
DESCRIPTION: <b>Waipori Rail Shower CP White - SP</b>	

<b>METHVEN LIMITED</b> Private Bag 19996, Auckland 1746 447 Rosebank Road, Avondale, Auckland 1026 PH (+649) 829-0429 FAX (+649) 829-0439	Sheet 2 of 2
	Sheet size A3
DWG. No <b>WASRCPWH</b>	REV <b>C</b>

MVA\_3\_PRODUCT Rev 0.4