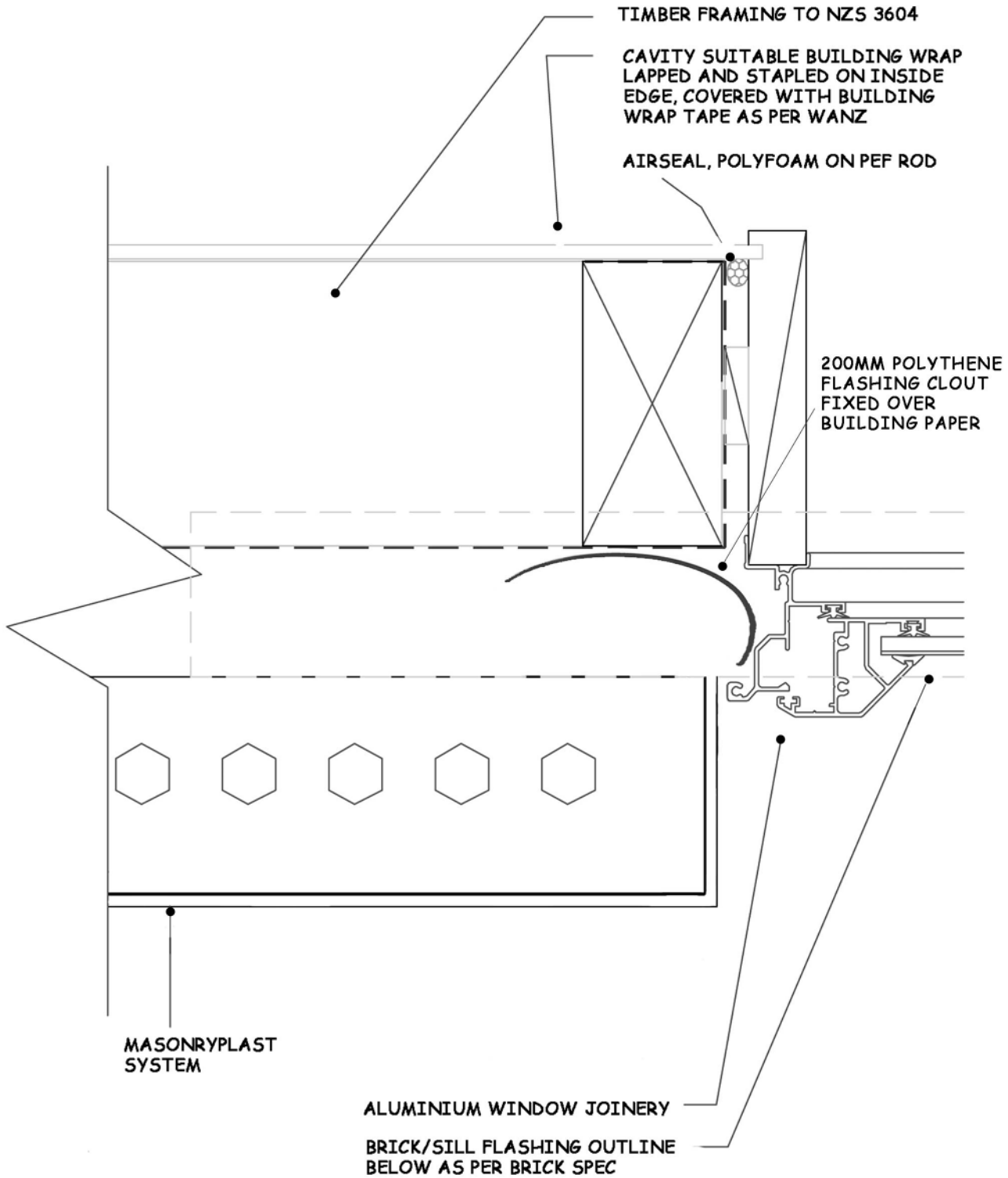


Disclaimer: This drawing has been issued as a guideline. The drawing illustrates the plaster in relation to other building components. Refer to substrate manufacturers details.

Brick
masonryplast®



03 JAMB DETAIL

This drawing is protected by copyright © PLASTER SYSTEMS LTD

www.plastersystems.co.nz