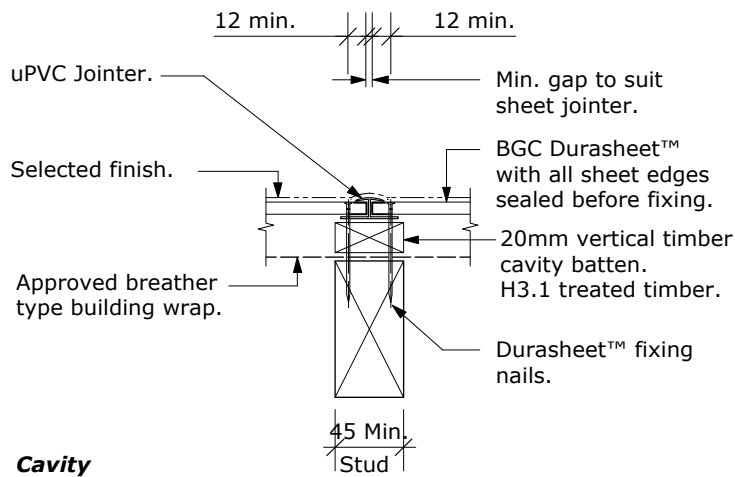
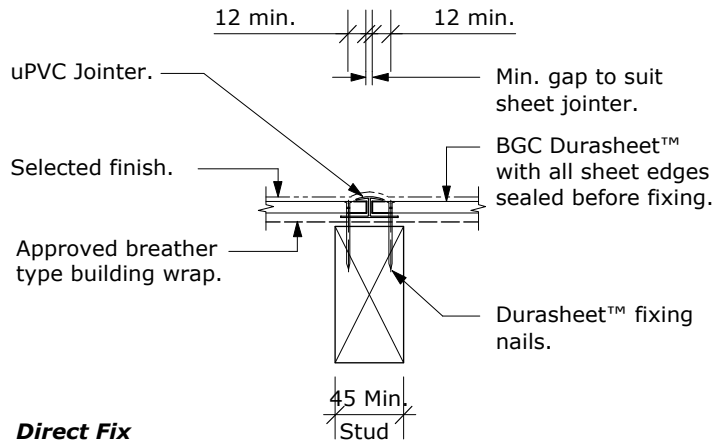


BGC**Fibre Cement**

PROFILE **BGC Durasheet™**
DETAIL **Vertical uPVC Joints**

DATE **Feb 2010**
SCALE **1:5 @ A4**
DETAIL NO. **D 04**