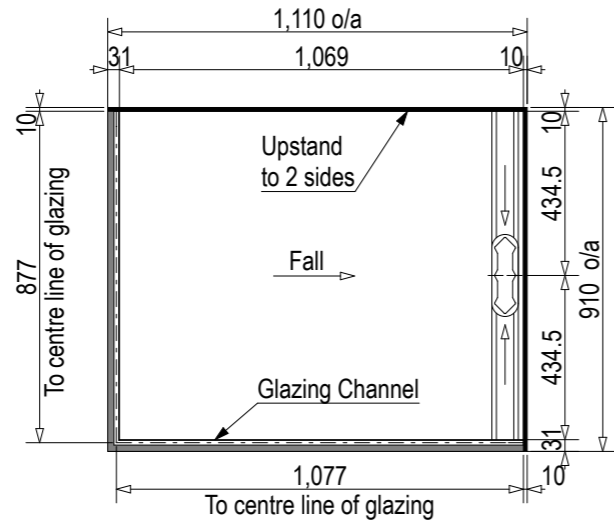


Note: Drain position central unless dimensioned otherwise

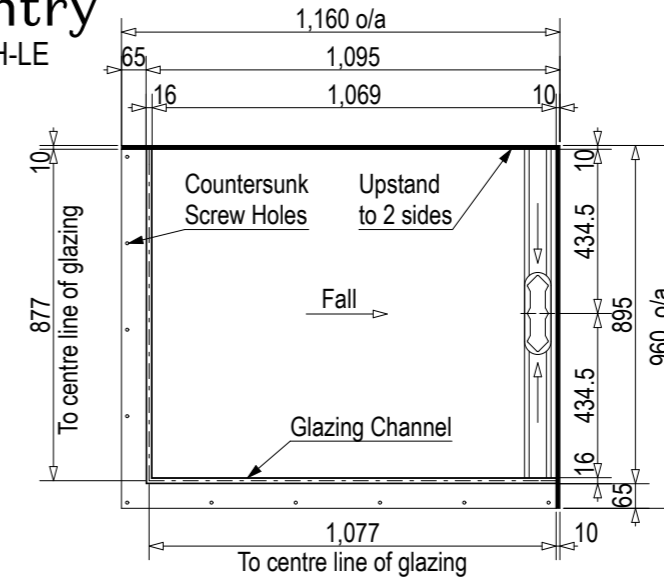
### Step Entry

SKU: LQ-RIO-RH-ST



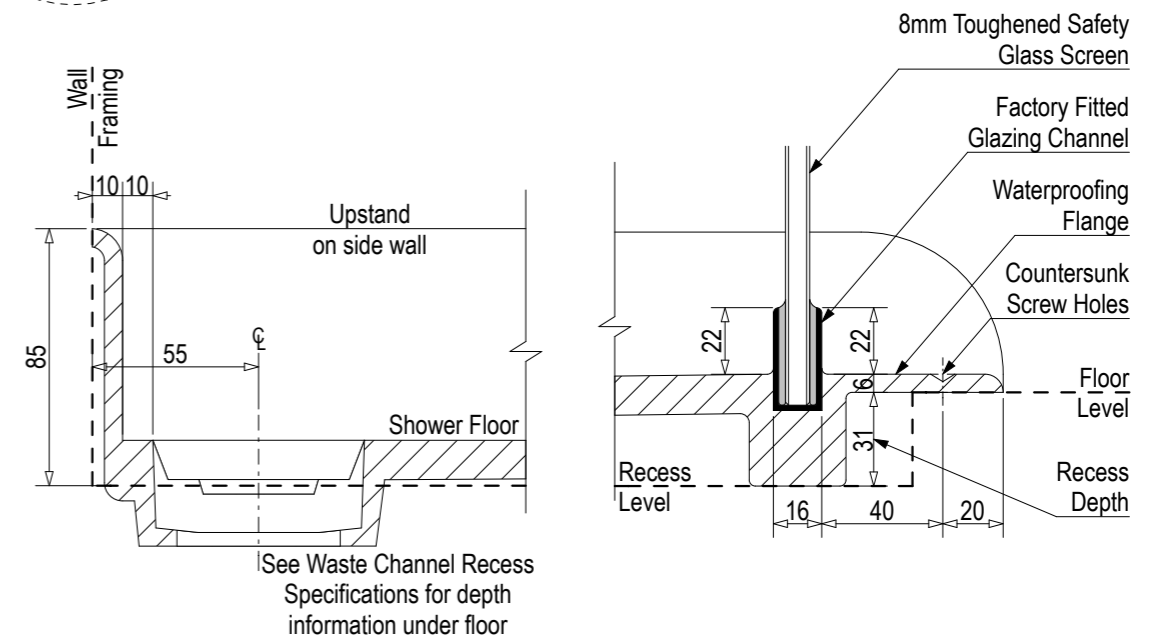
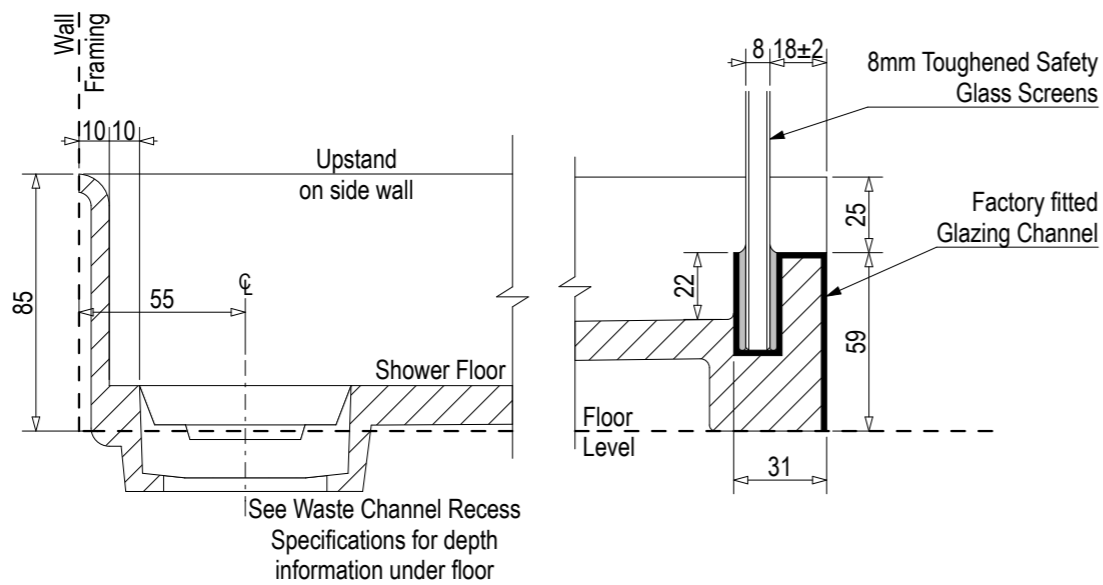
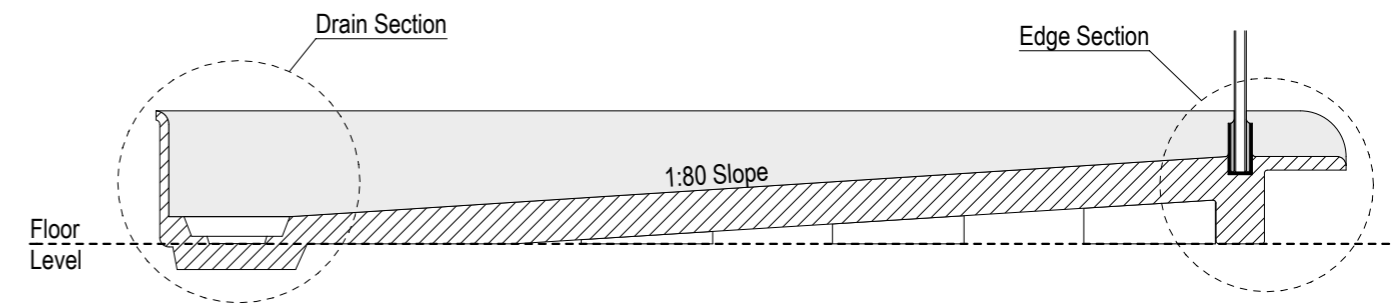
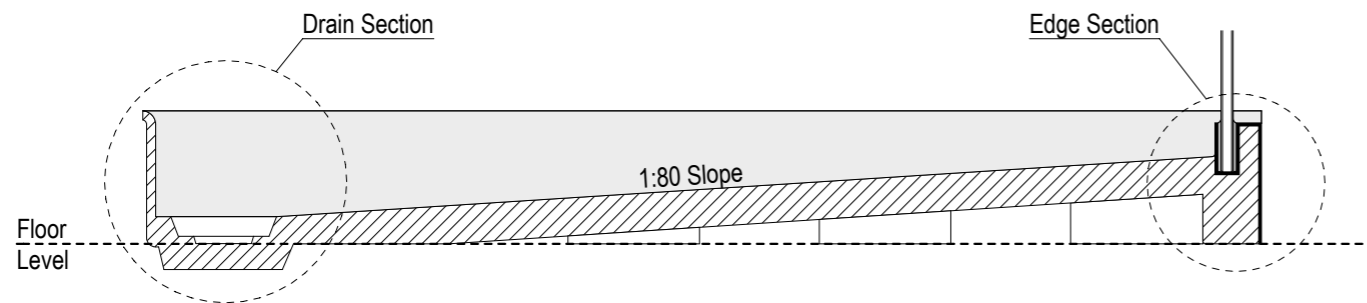
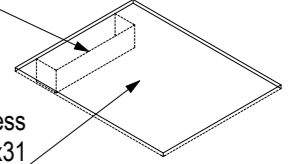
### Level Entry

SKU: LQ-RIO-RH-LE



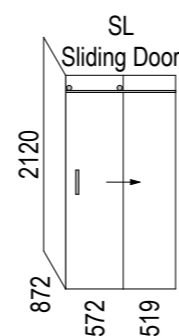
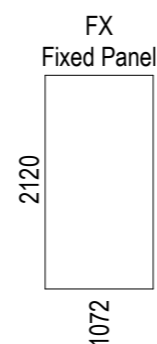
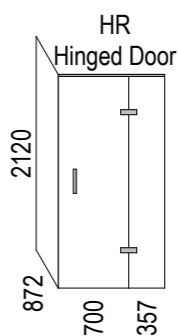
See Waste Channel Recess Specifications for size

Floor Recess 1130x930x31



Note: Verify exact shower base dimensions on site

### Screen Options:



For more product information go to:

[www.atlantis.co.nz/shop/linea-quattro/rio-1100x900/](http://www.atlantis.co.nz/shop/linea-quattro/rio-1100x900/)

For installation instructions go to:

[www.atlantis.co.nz/trade/installation/](http://www.atlantis.co.nz/trade/installation/)

## AQUAPLANE WASTE FITTING

- EasyClean Waste with in-built trap
- 50L/min ultra flow rate
- Removable fin for easy cleaning
- 40/50mm outlet with swivel fitting
- Components bolt together for guaranteed watertightness











