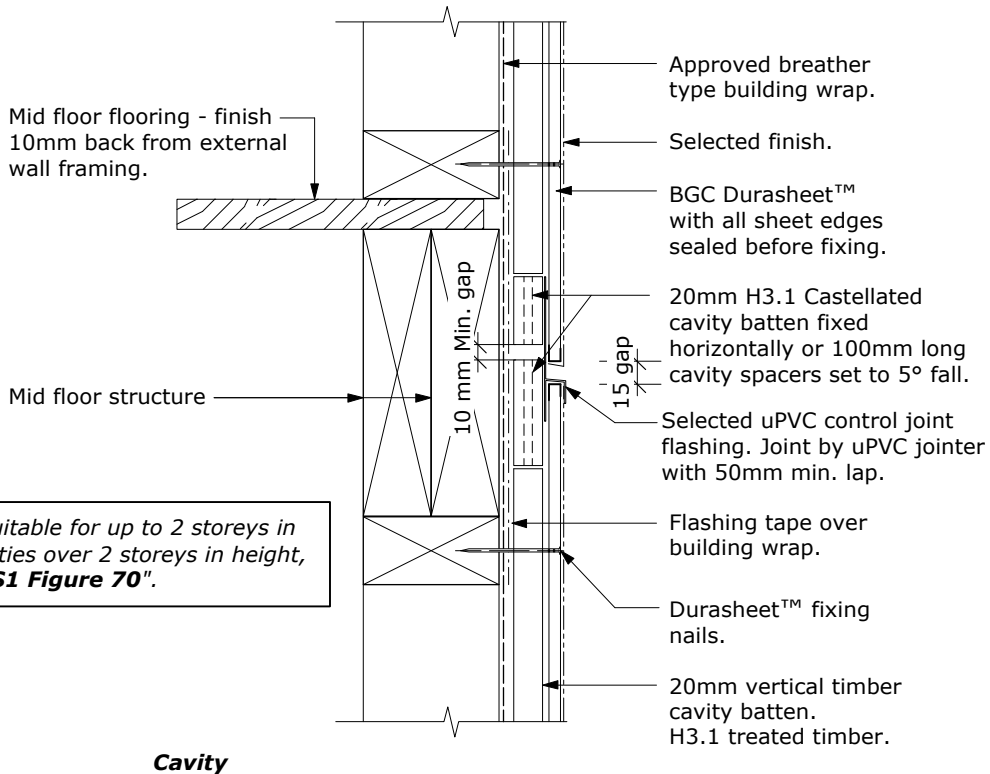
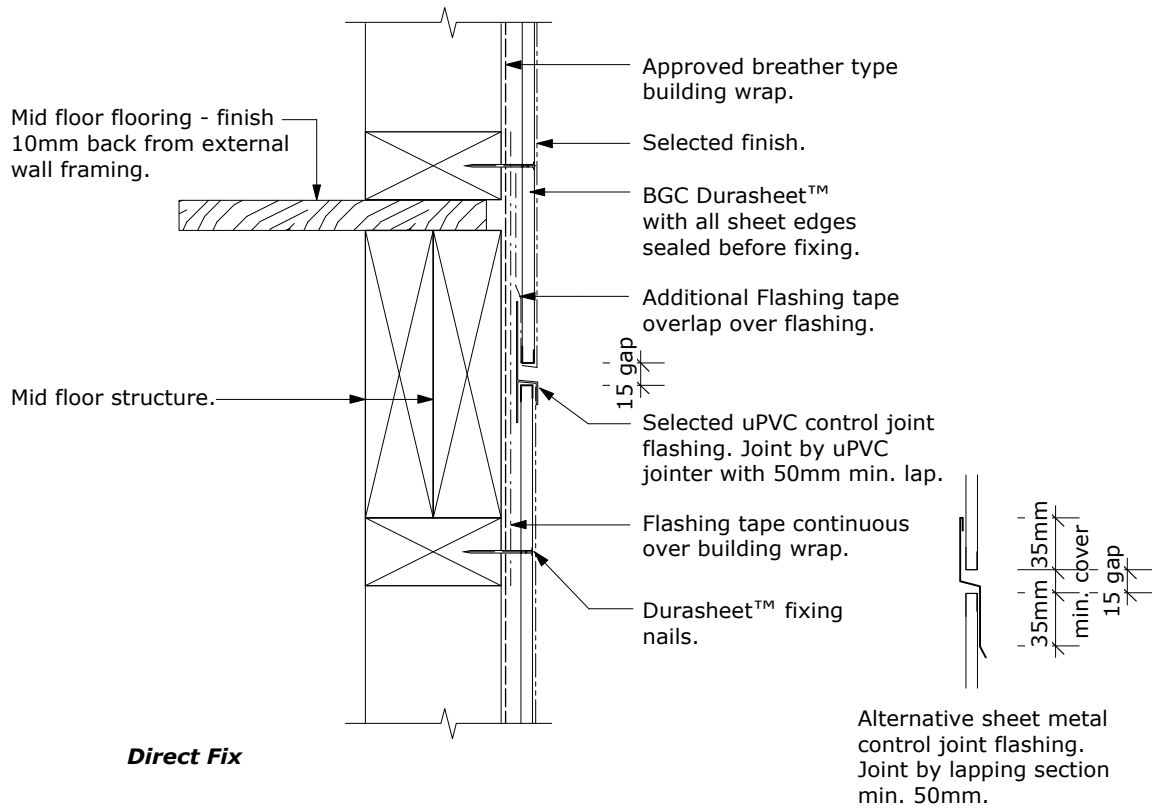


# BGC

# Fibre Cement



PROFILE BGC Durasheet™

DATE Feb 2010

DETAIL Horizontal Joints - "H" Mould

SCALE 1:5 @ A4

DETAIL NO. D 13